

axial
www.axialracing.com

READY-TO-RUN

CAPRA™ 1.9 4WS

1/10TH SCALE ELECTRIC 4WD UNLIMITED TRAIL BUGGY



Scan the QR code and select the Manuals and Support quick links from the product page for the most up-to-date manual information.

Scannen Sie den QR-Code und wählen Sie auf der Produktseite die Quicklinks Handbücher und Unterstützung, um die aktuellsten Informationen zu Handbücher.

Scannez le code QR et sélectionnez les liens rapides Manuals and Support sur la page du produit pour obtenir les informations les plus récentes sur le manuel.

Scannerizzare il codice QR e selezionare i Link veloci Manuali e Supporto dalla pagina del prodotto per le informazioni manuali più aggiornate.

RTR
READY-TO-RUN



AXI03022

**INSTRUCTION MANUAL
BEDIENUNGSANLEITUNG
MANUEL D'UTILISATION
MANUALE DI ISTRUZIONI**

Before operating this vehicle, please read all printed materials thoroughly. Horizon Hobby is not responsible for inadvertent errors in this manual.

HORIZON
H O B B Y

NOTICE

All instructions, warranties and other collateral documents are subject to change at the sole discretion of Horizon Hobby, LLC. For up-to-date product literature, visit horizonhobby.com or towerhobbies.com and click on the support or resources tab for this product.

MEANING OF SPECIAL LANGUAGE

The following terms are used throughout the product literature to indicate various levels of potential harm when operating this product:

WARNING: Procedures, which if not properly followed, create the probability of property damage, collateral damage, and serious injury OR create a high probability of superficial injury.

CAUTION: Procedures, which if not properly followed, create the probability of physical property damage AND a possibility of serious injury.

NOTICE: Procedures, which if not properly followed, create a possibility of physical property damage AND a little or no possibility of injury.



WARNING: Read the ENTIRE instruction manual to become familiar with the features of the product before operating. Failure to operate the product correctly can result in damage to the product, personal property and cause serious injury.

This is a sophisticated hobby product. It must be operated with caution and common sense and requires some basic mechanical ability. Failure to operate this Product in a safe and responsible manner could result in injury or damage to the product or other property. This product is not intended for use by children without direct adult supervision. Do not use with incompatible components or alter this product in any way outside of the instructions provided by Horizon Hobby, LLC. This manual contains instructions for safety, operation and maintenance. It is essential to read and follow all the instructions and warnings in the manual, prior to assembly, setup or use, in order to operate correctly and avoid damage or serious injury.

Age Recommendation: Not for children under 14 years. This is not a toy.

SAFETY PRECAUTIONS AND WARNINGS

As the user of this product, you are solely responsible for operating in a manner that does not endanger yourself and others or result in damage to the product or property of others.

This model is controlled by a radio signal subject to interference from many sources outside your control. This interference can cause momentary loss of control, so it is advisable to always keep a safe distance in all directions around your model as this margin will help avoid collisions or injury.

- Never operate your model with low transmitter batteries.
- Always operate your model in open spaces away from full-size vehicles, traffic and people.
- Never operate the model in the street or in populated areas for any reason.
- Carefully follow the directions and warnings for this and any optional support equipment (chargers, rechargeable battery packs, etc.) you use.
- Keep all chemicals, small parts and anything electrical out of the reach of children.
- Never lick or place any portion of the model in your mouth as it could cause serious injury or even death.
- Exercise caution when using tools and sharp instruments.
- Take care during maintenance as some parts may have sharp edges.
- Immediately after using your model, do NOT touch equipment such as the motor, electronic speed control and battery, because they generate high temperatures. You may burn yourself seriously touching them.
- Do not put fingers or any objects inside rotating and moving parts, as this may cause damage or serious injury.
- Always turn on your transmitter before you turn on the receiver in the car. Always turn off the receiver before turning your transmitter off.
- Keep the wheels of the model off the ground when checking the operation of the radio equipment.



WARNING AGAINST COUNTERFEIT PRODUCTS: Always purchase from a Horizon Hobby, LLC authorized dealer to ensure authentic high-quality Spektrum product. Horizon Hobby, LLC disclaims all support and warranty with regards, but not limited to, compatibility and performance of counterfeit products or products claiming compatibility with Spektrum technology.

TABLE OF CONTENTS


| | | | |
|--|---|--|----|
| Water-Resistant Vehicle With Waterproof Electronics..... | 3 | Using the 4-Wheel Steering..... | 8 |
| Box Contents..... | 4 | Vehicle Maintenance..... | 9 |
| Required Equipment..... | 4 | Spektrum Receiver/ESC Combo..... | 10 |
| Recommended Tools..... | 4 | Troubleshooting..... | 11 |
| Getting Started Checklist..... | 5 | Limited Warranty..... | 12 |
| Vehicle Parts..... | 5 | Warranty and Service Contact Information..... | 12 |
| Charge the Vehicle Battery..... | 6 | FCC Information..... | 13 |
| Install the Transmitter Batteries..... | 6 | IC Information..... | 13 |
| Transmitter Functions..... | 6 | Compliance Information for the European Union..... | 13 |
| Install the Vehicle Battery..... | 7 | Parts Lists..... | 54 |
| Binding..... | 8 | Recommended..... | 55 |
| Range-Checking the Radio System..... | 8 | Optional Parts..... | 55 |

WATER-RESISTANT VEHICLE WITH WATERPROOF ELECTRONICS

Your new Horizon Hobby vehicle has been designed and built with a combination of waterproof and water-resistant components to allow you to operate the product in many “wet conditions,” including puddles, creeks, wet grass, snow and even rain.

While the entire vehicle is highly water-resistant, it is not completely waterproof and your vehicle should NOT be treated like a submarine. The various electronic components used in the vehicle, such as the Electronic Speed Control (ESC), servo(s) and receiver are waterproof, however, most of the mechanical components are water-resistant and should not be submerged.

Metal parts, including the bearings, hinge pins, screws and nuts, as well as the contacts in the electrical cables, will be susceptible to corrosion if additional maintenance is not performed after running in wet conditions. To maximize the long-term performance of your vehicle and to keep the warranty intact, the procedures described in the “Wet Conditions Maintenance” section below must be performed regularly if you choose to run in wet conditions. If you are not willing to perform the additional care and maintenance required, then you should not operate the vehicle in those conditions.


 **CAUTION:** Failure to exercise caution while using this product and complying with the following precautions could result in product malfunction and/or void the warranty.

GENERAL PRECAUTIONS

- Read through the wet conditions maintenance procedures and make sure that you have all the tools you will need to properly maintain your vehicle.
- Not all batteries can be used in wet conditions. Consult the battery manufacturer before use. Caution should be taken when using Li-Po batteries in wet conditions.
- Most transmitters are not water-resistant. Consult your transmitter’s manual or the manufacturer before operation.
- Never operate your transmitter or vehicle where lightning may be present.
- Do not operate your vehicle where it could come in contact with salt water (ocean water or water on salt-covered roads), contaminated or polluted water. Salt water is very conductive and highly corrosive, so use caution.
- Even minimal water contact can reduce the life of your motor if it has not been certified as water-resistant or waterproof. If the motor becomes excessively wet, apply very light throttle until the water is mostly removed from the motor. Running a wet motor at high speeds may rapidly damage the motor.
- Driving in wet conditions can reduce the life of the motor. The additional resistance of operating in water causes excess strain. Alter the gear ratio by using a smaller pinion or larger spur gear. This will increase torque (and motor life) when running in mud, deeper puddles, or any wet conditions that will increase the load on the motor for an extended period of time.

WET CONDITIONS MAINTENANCE

- Drain any water that has collected in the tires by spinning them at high speed. With the body removed, place the vehicle upside down and pull full throttle for a few short bursts until the water has been removed.

 **CAUTION:** Always keep hands, fingers, tools and any loose or hanging objects away from rotating parts when performing the above drying technique.

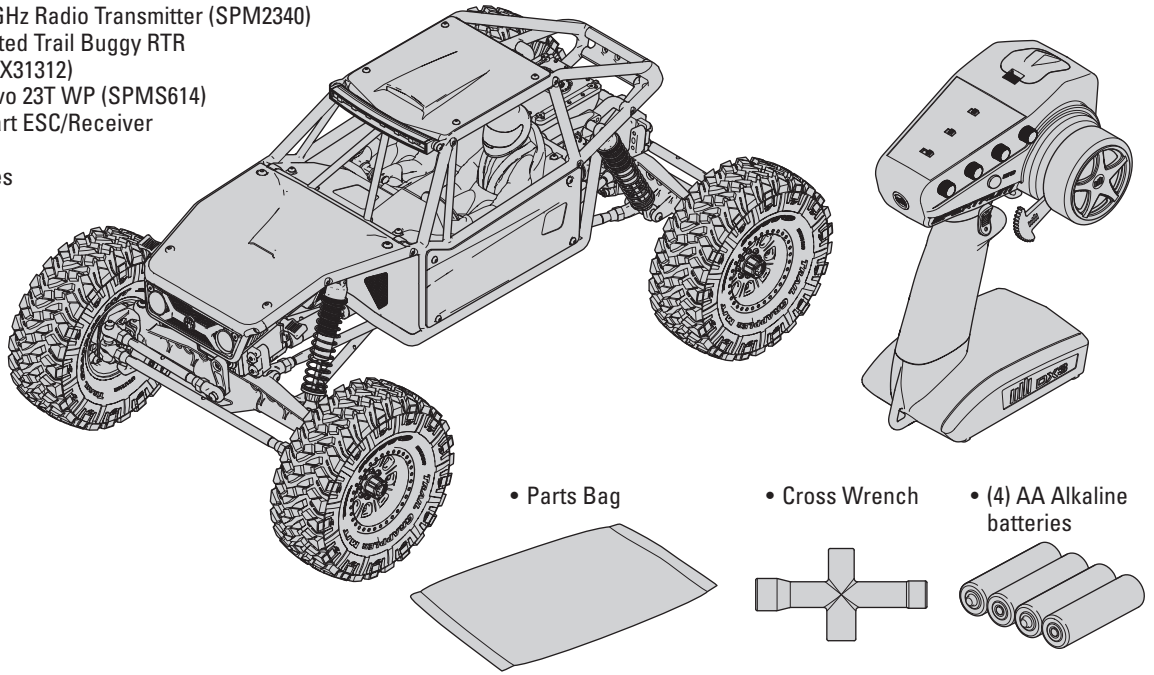
- Remove the battery pack(s) and dry the contacts. If you have an air compressor or a can of compressed air, blow out any water that may be inside the recessed connector housing.
- Remove the tires/wheels from the vehicle and gently rinse the mud and dirt off with a garden hose. Avoid rinsing the bearings and transmission.

NOTICE: Never use a pressure washer to clean your vehicle.

- Use an air compressor or a can of compressed air to dry the vehicle and help remove any water that may have gotten into small crevices or corners.
- Spray the bearings, drive train, fasteners and other metal parts with a water-displacing light oil. Do not spray the motor.
- Let the vehicle air dry before you store it. Water (and oil) may continue to drip for a few hours.
- Increase the frequency of disassembly, inspection and lubrication of the following:
 - Front and rear axle hub assembly bearings.
 - All transmission cases, gears and differentials.
 - Motor—clean with an aerosol motor cleaner and re-oil the bushings with lightweight motor oil.

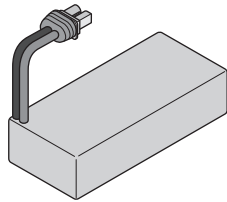
BOX CONTENTS

- Spektrum DX3 3Ch 2.4GHz Radio Transmitter (SPM2340)
- Capra™ 1.9 4WS Unlimited Trail Buggy RTR
 - 35T Electric Motor (AX31312)
 - S614 Metal Gear Servo 23T WP (SPMS614)
 - 40 Amp Brushed Smart ESC/Receiver (SPMXSE1040RX)
- (4) AA Alkaline batteries

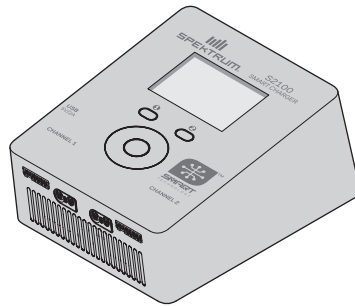


REQUIRED EQUIPMENT

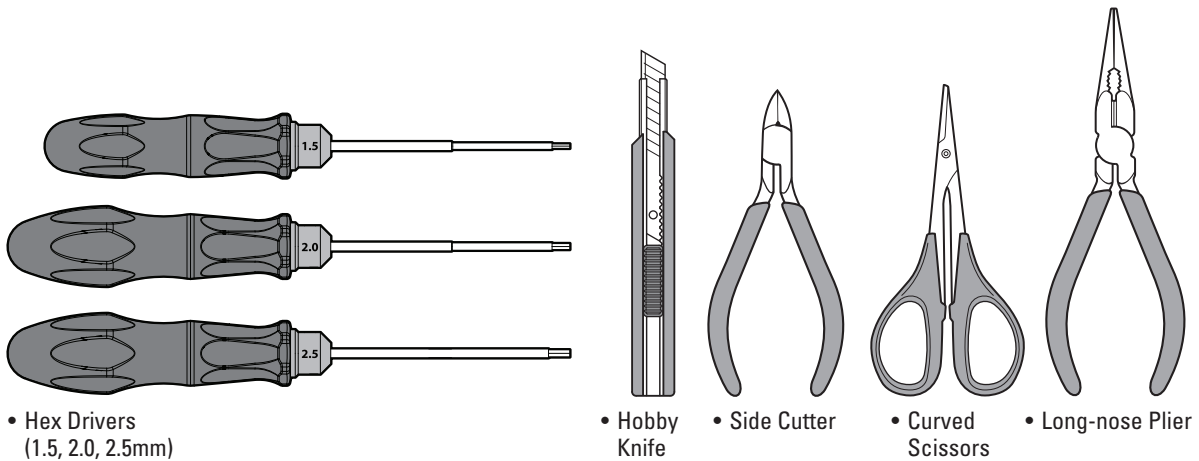
- 2-3S Shorty LiPo Battery (96mm maximum width, IC3™ Connector Required)



- Battery charger compatible with the chosen vehicle battery



RECOMMENDED TOOLS



- Hex Drivers (1.5, 2.0, 2.5mm)

- Hobby Knife

- Side Cutter

- Curved Scissors

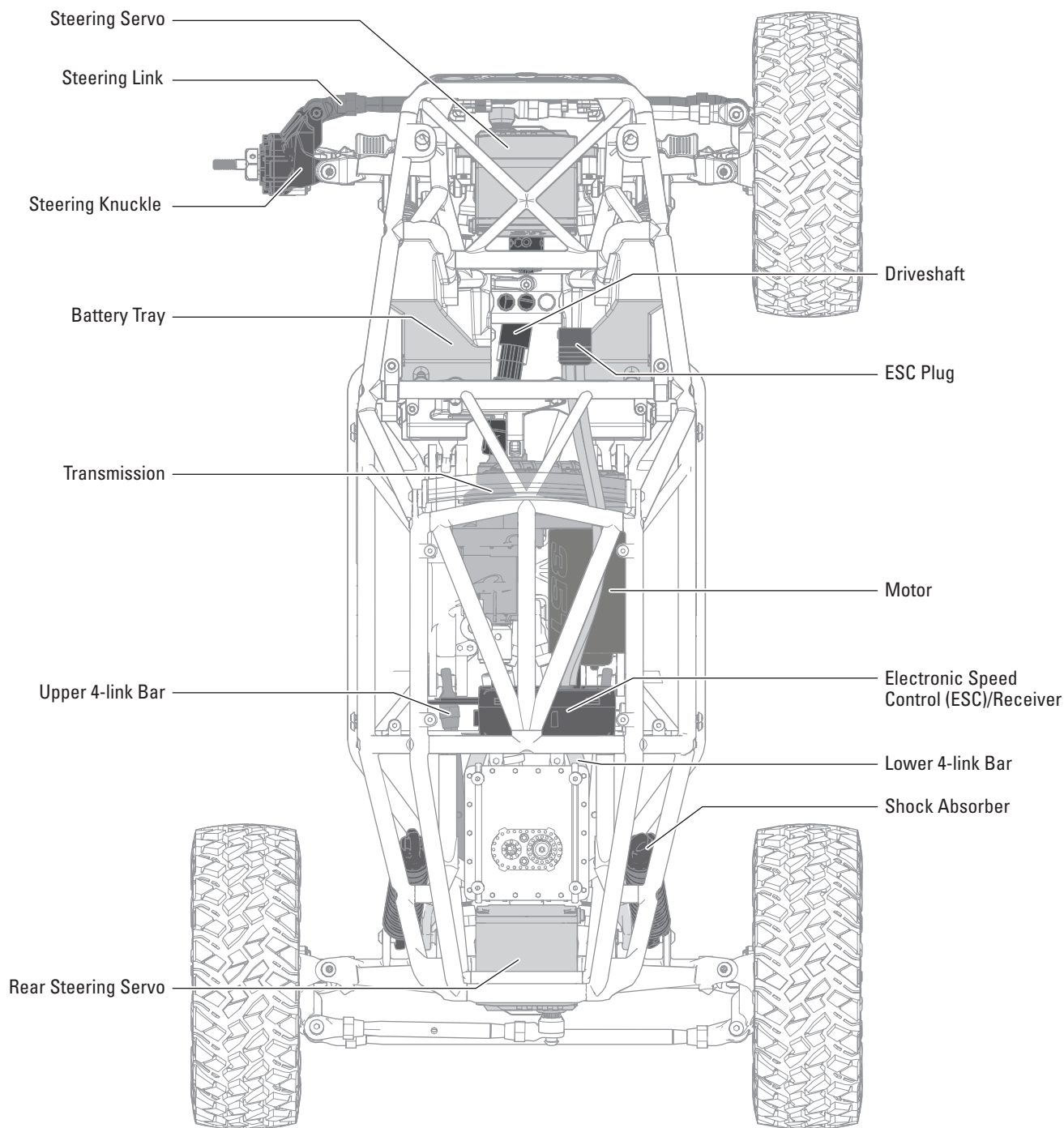
- Long-nose Plier

GETTING STARTED CHECKLIST

| |
|---|
| Read the manual |
| Familiarize yourself with the vehicle and its components |
| Check all screws, especially the driveshaft setscrews, for tightness from the factory |
| Charge the vehicle battery |
| Install 4 AA batteries in the transmitter |

| |
|--|
| Power on the transmitter |
| Install the vehicle battery in the vehicle |
| Check for proper function of the throttle and steering |
| Range check the radio system |
| Drive the vehicle, challenge yourself and have FUN! |
| Perform any necessary vehicle maintenance |

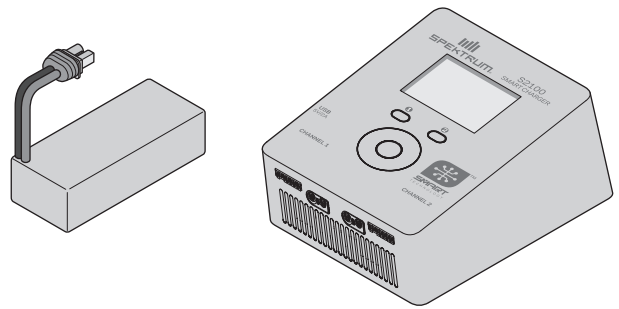
VEHICLE PARTS



CHARGE THE VEHICLE BATTERY

Follow the manufacturer's directions for your charger to properly charge the vehicle battery.

CAUTION: Only use chargers designed to charge the chosen battery type. Using an incompatible charger or incorrect charge settings could result in fire causing person injury or property damage.



INSTALL THE TRANSMITTER BATTERIES

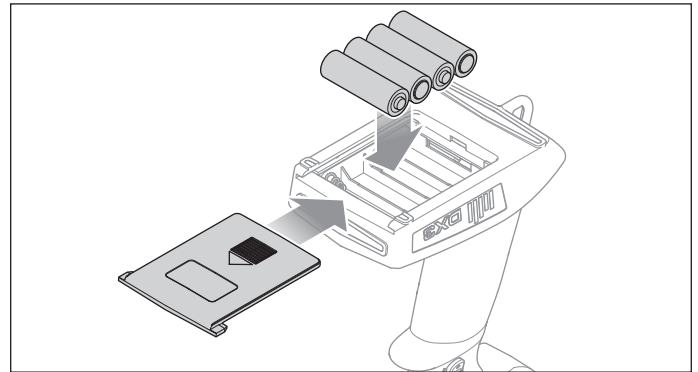
This transmitter requires 4 AA batteries.

1. Remove the battery cover from the transmitter.
2. Install the batteries as shown.
3. Install the battery cover.

CAUTION: NEVER remove the transmitter batteries while the model is powered on. Loss of model control, damage, or injury may occur.

CAUTION: If using rechargeable batteries, charge only rechargeable batteries. Charging non-rechargeable batteries may cause the batteries to burst, resulting in injury to persons and/or damage to property.

CAUTION: Risk of explosion if battery is replaced by an incorrect type. Dispose of used batteries according to national regulations.



TRANSMITTER FUNCTIONS

A/B. Channel 3 Button (4-Wheel Steering)

C. Throttle/Brake

D. Steering Wheel

E. Steering Rate

Adjusts the end point of the steering

F. Brake Rate

Adjusts the braking end point.

G. Steering Trim

Adjusts the steering center point. Normally, the steering trim is adjusted until the vehicle tracks straight.

H. Throttle Trim

Adjusts the throttle neutral point

I. SMART Battery Level Indicator

J. Servo Reversing

To reverse the Throttle (TH) or Steering (ST) channel, switch the position of the correlating switch—"N" is for normal, "R" is for reverse.

K. Throttle Limit

Limits throttle output to 50/75/100%

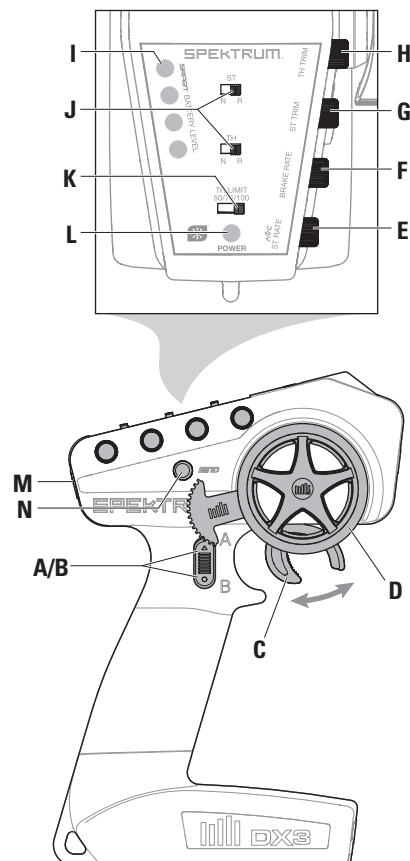
Select 50% or 75% for less experienced drivers or when you are driving the vehicle in a small area.

L. Power LED

- **Solid red lights:** Indicates radio connectivity and adequate battery power
- **Flashing red lights:** Indicates the battery voltage is critically low. Replace batteries

M. Power Button

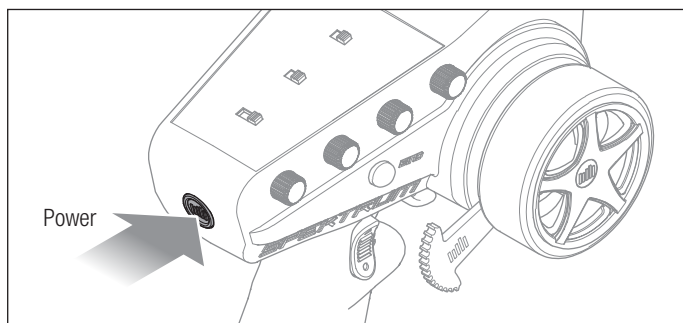
N. Bind Button



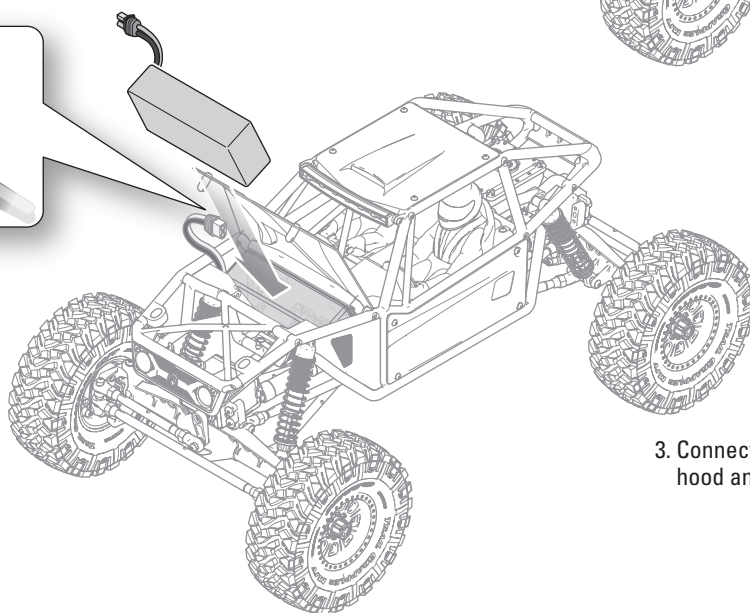
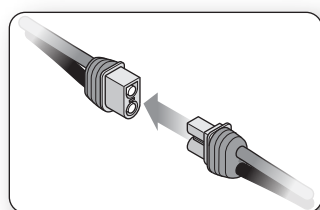
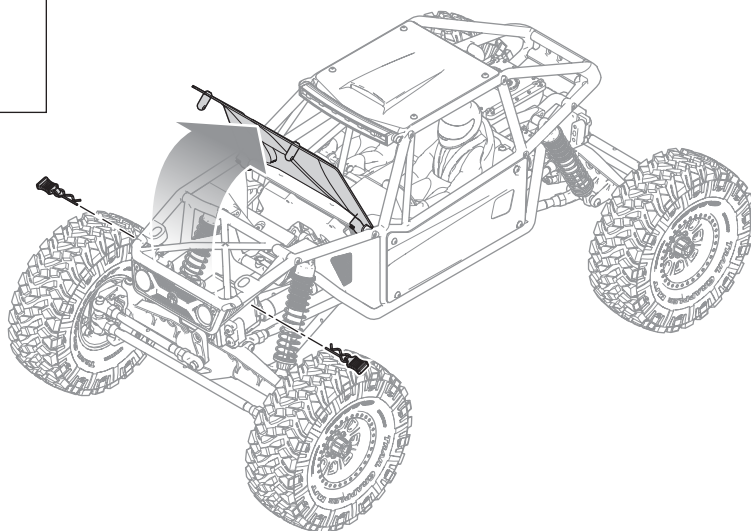
INSTALL THE VEHICLE BATTERY

NOTICE: Power to the vehicle is controlled by connecting and disconnecting the battery from the ESC. Always power on the transmitter first before connecting the vehicle battery. Always disconnect the battery from the ESC when not in use.

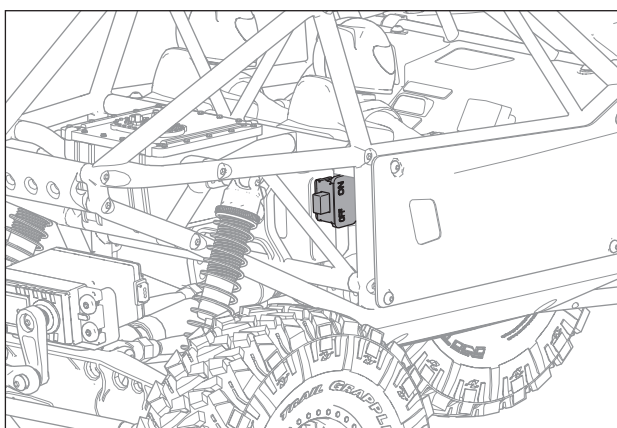
1. Power on the transmitter.



2. Remove the body clips and open the hood.



3. Connect the battery to the ESC. Close the hood and replace the body clips.



4. Power ON the vehicle.

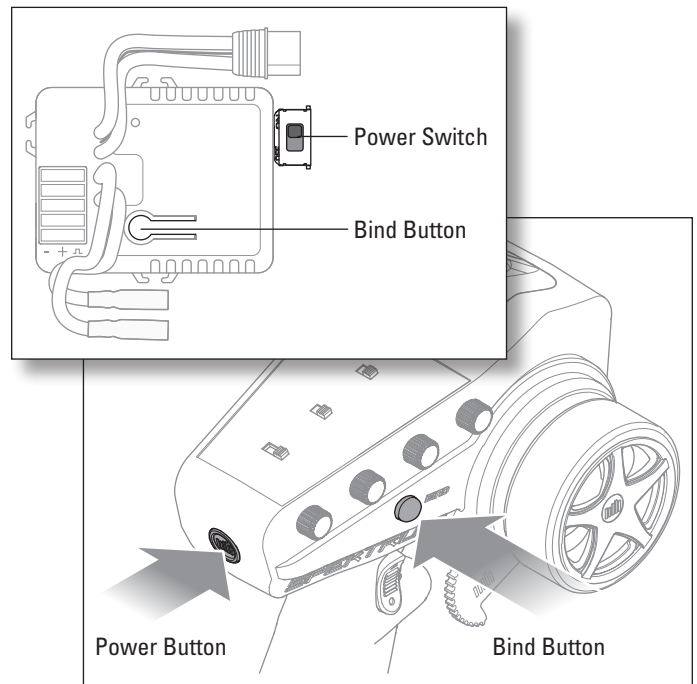
NOTICE: Always power off the vehicle before powering off the transmitter. Powering off the transmitter first may result in loss of control.

BINDING

Binding is the process of programming the receiver to recognize the GUID (Globally Unique Identifier) code of a single specific transmitter. The transmitter and receiver are bound at the factory. If you need to rebind, follow the instructions below.

1. Connect a fully charged battery pack to the ESC/receiver.
2. Press and hold the bind button on the receiver.
3. Power ON the receiver. The red LED flashes, indicating the receiver is in bind mode. Release the bind button after the red LED begins to flash. The motor will make continuous descending tones until binding is complete.
4. With the throttle trigger at neutral, press and hold the transmitter bind button while powering on to put the transmitter in bind mode. The throttle should be at neutral to set failsafe.
5. The bind process is complete when the green LED on the receiver remains lit.

You must rebind when different failsafe positions are needed e.g., when throttle or steering reversing has been changed.



RANGE-CHECKING THE RADIO SYSTEM

The radio system should be checked before operating the vehicle to ensure proper operation and adequate range.

1. Turn on the transmitter.
2. Connect the battery in the vehicle.
3. Have a friend hold the vehicle while keeping hands and loose clothing away from moving parts.
4. Walk away until you are at the maximum planned operating distance from the vehicle.
5. Turn the steering wheel side to side and operate the throttle, both forward and reverse, checking for any erratic behavior.
6. If any erratic behavior is exhibited, DO NOT operate the vehicle. Call customer service for assistance.

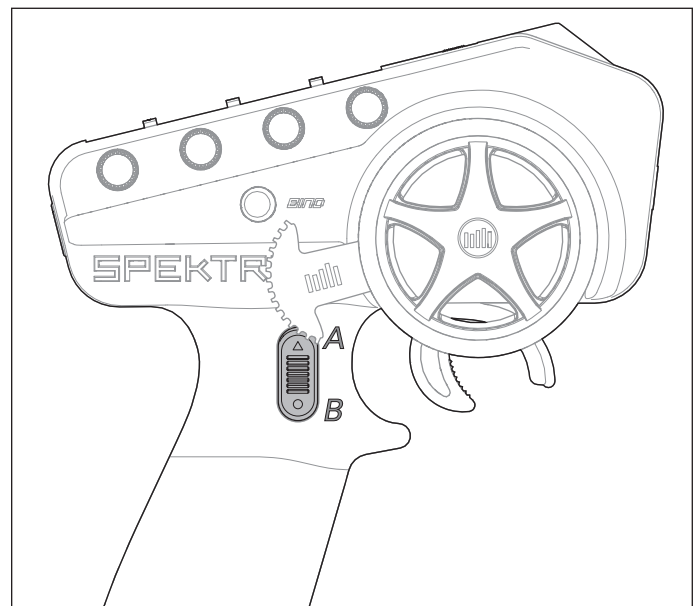


USING THE 4-WHEEL STEERING

The vehicle features 4-wheel steering. The rear wheels are controlled using the A/B transmitter switch. The steering moves to one of five possible positions; centered, 50% in either direction or 100% in either direction.

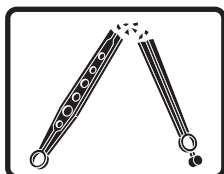
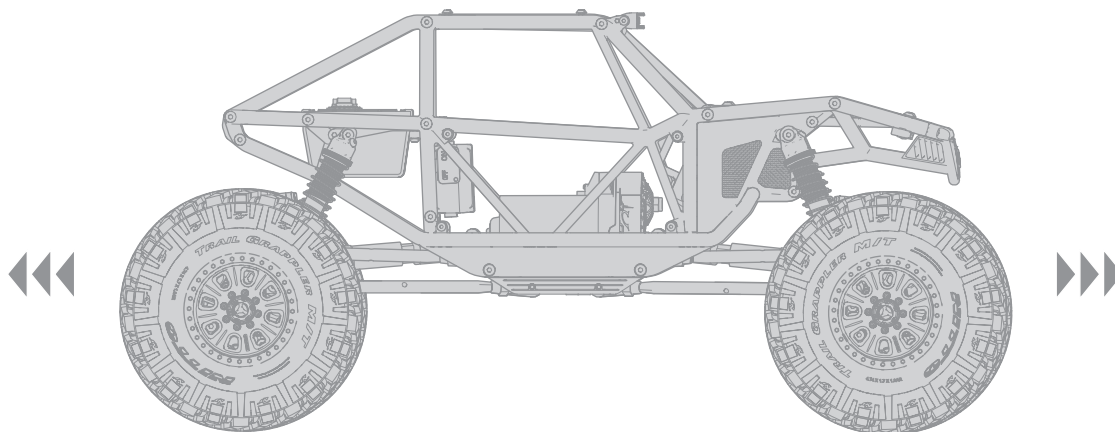
To activate the steering:

1. Press either the A or B button once to move the rear steering to 50% travel.
2. Press the same button twice to move to 100% travel in the same direction.
3. Press the opposite button three times to re-center the rear wheels.

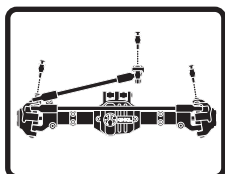


VEHICLE MAINTENANCE

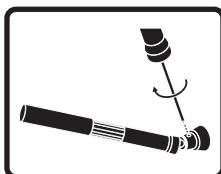
Just like a full size car or truck your RC vehicle must undergo periodic maintenance in order to ensure peak performance. Preventative maintenance will also help avoid needless breakages which could result in costly repairs. Below are some suggestions to properly maintain your vehicle.



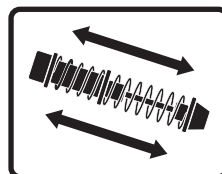
Replace any noticeable bent or broken parts



Check for wear on the ball joints in the steering and suspension links (replace if necessary)



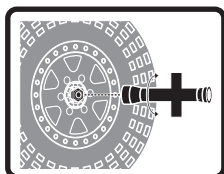
Check driveshaft set screws and apply thread locking compound if necessary



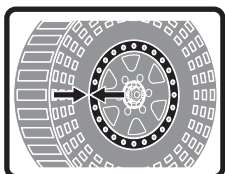
Inspect shock absorbers for smooth dampened operation



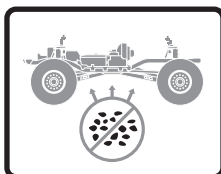
Check for any loose connections or frayed wiring



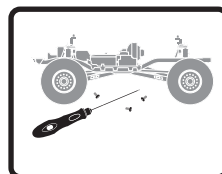
Check the wheel nuts for tightness



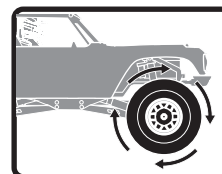
Ensure the wheel beads are still firmly bonded around the entire circumference of the rim



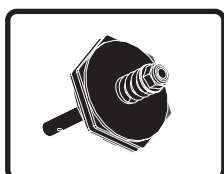
Keep the chassis free of dirt and debris



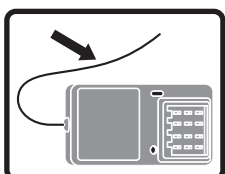
Check for loose screws on the chassis, especially the knuckle, C-hub and axle lockout screws



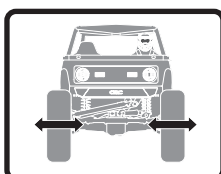
Check the driveline for smooth, bind free operation



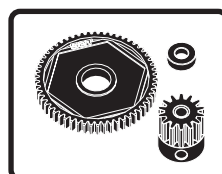
If applicable, check the slipper clutch for proper operation



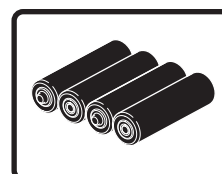
Check the receiver antenna for damage



Check the steering operation for any binding



Inspect the spur and pinion gears for damage



Replace the transmitter batteries when indicated by the transmitter, as described in the Transmitter Functions section

SPEKTRUM RECEIVER/ESC COMBO

OPERATION

1. Power on the transmitter.
2. Power on the receiver.
3. The green LED on the receiver will be illuminated when it is connected to your transmitter.
4. Disconnect the battery from the ESC/Receiver after operation.

FAILSAFE

In the unlikely event that the radio link is lost during use, the 2-in-1 will drive the throttle channel to the neutral (throttle off) position. If the 2-in-1 is powered on prior to turning on the transmitter, it will enter failsafe mode, leaving throttle off. When the transmitter is turned on, normal control will resume.

LED INDICATORS

Upon powering ON the ESC, the red LED will blink and the motor will emit a series of beeps to indicate its status. The number of tones indicates (1) the ESC is in operation (2) the battery mode detected and (3) the ESC is in a ready-to-use state.

| FEATURE | RED LED STATUS | MOTOR SOUND |
|-------------------------------------|--|--|
| ESC Is In Operation | Rapid Blinking | 4 Changing Tones |
| Ni-MH/Ni-CD Battery | 1 Blink | 1 Short Tone |
| 2S Li-Po Battery | 2 Blinks | 2 Short Beeps |
| 3S Li-Po Battery | 3 Blinks | 3 Short Beeps |
| ESC Ready, No Transmitter Signal | 2 Short Blinks, Red Blink Repeating | 2 Ascending Tones, Descending Tones Repeating |

| OPERATION | LED STATUS |
|----------------------------------|-----------------------------|
| Forward | |
| Partial Throttle | Green Solid, Red Blinks |
| Full Throttle | Green and Red Solid |
| Reverse | |
| Partial Throttle | Green Solid, Red Blinks |
| Full Throttle | Green and Red Solid |
| Brake | |
| Partial | Green Solid, Red Blinks |
| Full | Green and Red Solid |
| Stop | Green Solid |
| Battery Low Voltage or No Signal | Red Blinks |
| Overheat | Green Blinks |
| Over Current Protection | Green and Red Triple Blinks |

SPECIFICATIONS

| | |
|-------------------------|---|
| Type | Waterproof DSMR ESC/Receiver 2-in-1 with SMART Telemetry |
| Dimensions (L x W x H) | 54mm x 33.5mm x 20.5mm |
| Antenna Length | 31mm |
| Channels | 4 (No Throttle Servo Output) |
| Weight | 68g |
| Band | 2404 MHz – 2476 MHz |
| Servo Output Voltage | 6V up to 3A, Shared with Auxillary Light Connectors |
| Telemetry Features | Battery Voltage, Current, ESC Temp, Battery Data (with SMART Battery) |
| Battery Input Connector | IC3® (EC3™ Compatible) |
| Voltage Range | 2–3S Li-Po*/5–9S NiMH |
| Max Current | 40A Continuous/ 180A Burst |
| Motor Connectors | 3.5mm Bullet |

*Default setting for low voltage cutoff is Li-Po. Optional Dynamite Program Card (DYNS3005) required to change the Battery Type Setting.

ESC AND TRANSMITTER CALIBRATION

The included transmitter and ESC/receiver combo automatically calibrate when powered on. Follow the procedure below to ensure accurate calibration between the transmitter and ESC/receiver.

1. Connect a fully charged battery to the ESC/receiver. Ensure the power switch is in the OFF position.
2. Power the transmitter ON. Ensure the throttle is not reversed, the throttle trim is neutral and the throttle travel range is at 100%.
3. With the throttle at neutral, power ON the ESC/receiver.
4. Leave the throttle trigger and trims at neutral for at least 3 seconds. The ESC/Receiver automatically calibrates the throttle range after 3 seconds.
5. The LED will blink and the motor will beep to indicate the battery mode selection.
6. One long LED blink and one long beep indicates the ESC is ready to run.

TROUBLESHOOTING

| PROBLEM | POSSIBLE CAUSE | SOLUTION |
|--|--|---|
| The system will not connect | Your transmitter and receiver are too close together | Move transmitter 8 to 12 feet away from receiver |
| | You are near metal objects | Move to an area with less metal |
| | The receiver is bound to a different model memory | Make sure the correct model memory is active in your transmitter |
| | Your transmitter was placed into bind mode and is no longer bound to your receiver | Rebind your transmitter and receiver, and then re-calibrate |
| The receiver goes into failsafe a short distance away from the transmitter | Check for damage on the receiver antenna | Make sure your receiver antenna is protected and located as high as practical |
| | | Replace the receiver or contact Horizon Product Support |
| The receiver stops responding during operation | Low receiver battery voltage. If the battery voltage is low, it may drop below 3.5V momentarily, causing the receiver to brown-out, then reconnect | Charge the receiver or vehicle battery. Spektrum receivers require at least 3.5V to operate |
| | Loose or damaged wires or connectors between battery and receiver | Check the wires and connection between the battery and receiver. Repair or replace wires and/or connectors |
| Vehicle does not move | Batteries are not installed properly in the transmitter | Ensure the transmitter batteries are properly installed |
| | Weak or no battery in the vehicle | Install a freshly charged vehicle battery |
| | Damaged motor | Replace the motor |
| | Frayed or broken wiring | Replace any damaged wiring |
| Loss of vehicle control | ESC is shut down by heat protection circuit | Allow the ESC to cool down completely |
| | Improper antenna placement | Ensure the transmitter antenna is not blocked and the receiver antenna is located properly |
| | Weak or no batteries in the transmitter or vehicle | Install a freshly charged vehicle battery and new transmitter batteries |
| | Neutral or trim position is incorrect | Adjust the steering trim |
| Steering and/or throttle function is reversed | Receiver and/or battery not connected properly | Check all receiver and battery connections |
| | Servo travel is reversed at the transmitter | Set the transmitter servo reversing switch to the correct position |
| ESC ON - No motor function, audible tone or LED | Motor wires are not connected properly | Check all motor wires for correct polarity and secure connection |
| | Battery/connection issue | Recharge/replace battery. Secure all connections |
| | Damaged ESC/switch | Repair/replace ESC switch/ESC |
| Motor- Stops and LED blinks | Damaged motor | Repair/replace |
| | Low voltage protection | When the ESC LED blinks, recharge/replace battery |
| Motor- Accelerates irregularly | Overheat protection | When the LED blinks, let motor/ESC cool, change set up or gearing to avoid overheating |
| | Battery issue | Repair damaged wiring/replace battery |
| Motor- Does not turn continuously in response to throttle | Incorrect gearing | Adjust/replace gearing |
| | Worn or damaged motor | Repair/replace motor |
| Motor- Slows but will not stop | ESC/motor damaged | Repair/replace wiring or motor/ESC |
| Steering servo- Operates; motor does not run | Incorrect transmitter/ESC calibration | Adjust throttle travel/other throttle settings on the transmitter/ESC. Repeat the ESC Calibration Procedure |
| | Damaged motor | Test the motor apart from the vehicle system, repair/replace motor as needed |
| Steering/motor- not functioning | Incorrect transmitter/ESC calibration | Adjust throttle travel/other throttle settings on the transmitter/ESC. Repeat the ESC Calibration Procedure |
| | Low battery voltage | Recharge/replace |
| | Wrong model memory selected on transmitter | Select correct model settings on your transmitter, refer to transmitter and/or receiver manual |
| Vehicle- Does not operate at full speed | Receiver not bound to transmitter | Bind transmitter to receiver, refer to transmitter and/or receiver manual |
| | Battery issue | Recharge/replace |
| | Incorrect transmitter/ESC calibration | Adjust throttle travel/other throttle settings on the transmitter/ESC. Repeat the ESC Calibration Procedure |

LIMITED WARRANTY

What this Warranty Covers

Horizon Hobby, LLC, (Horizon) warrants to the original purchaser that the product purchased (the "Product") will be free from defects in materials and workmanship for a period of 2 years from the date of purchase.

What is Not Covered

This warranty is not transferable and does not cover (i) cosmetic damage, (ii) damage due to acts of God, accident, misuse, abuse, negligence, commercial use, or due to improper use, installation, operation or maintenance, (iii) modification of or to any part of the Product, (iv) attempted service by anyone other than a Horizon Hobby authorized service center, (v) Product not purchased from an authorized Horizon dealer, or (vi) Product not compliant with applicable technical regulations or (vii) use that violates any applicable laws, rules, or regulations.

OTHER THAN THE EXPRESS WARRANTY ABOVE, HORIZON MAKES NO OTHER WARRANTY OR REPRESENTATION, AND HEREBY DISCLAIMS ANY AND ALL IMPLIED WARRANTIES, INCLUDING, WITHOUT LIMITATION, THE IMPLIED WARRANTIES OF NON-INFRINGEMENT, MERCHANTABILITY AND FITNESS FOR A PARTICULAR PURPOSE. THE PURCHASER ACKNOWLEDGES THAT THEY ALONE HAVE DETERMINED THAT THE PRODUCT WILL SUITABLY MEET THE REQUIREMENTS OF THE PURCHASER'S INTENDED USE.

Purchaser's Remedy

Horizon's sole obligation and purchaser's sole and exclusive remedy shall be that Horizon will, at its option, either (i) service, or (ii) replace, any Product determined by Horizon to be defective. Horizon reserves the right to inspect any and all Product(s) involved in a warranty claim. Service or replacement decisions are at the sole discretion of Horizon. Proof of purchase is required for all warranty claims. SERVICE OR REPLACEMENT AS PROVIDED UNDER THIS WARRANTY IS THE PURCHASER'S SOLE AND EXCLUSIVE REMEDY.

Limitation of Liability

HORIZON SHALL NOT BE LIABLE FOR SPECIAL, INDIRECT, INCIDENTAL OR CONSEQUENTIAL DAMAGES, LOSS OF PROFITS OR PRODUCTION OR COMMERCIAL LOSS IN ANY WAY, REGARDLESS OF WHETHER SUCH CLAIM IS BASED IN CONTRACT, WARRANTY, TORT, NEGLIGENCE, STRICT LIABILITY OR ANY OTHER THEORY OF LIABILITY, EVEN IF HORIZON HAS BEEN ADVISED OF THE POSSIBILITY OF SUCH DAMAGES. Further, in no event shall the liability of Horizon exceed the individual price of the Product on which liability is asserted. As Horizon has no control over use, setup, final assembly, modification or misuse, no liability shall be assumed nor accepted for any resulting damage or injury. By the act of use, setup or assembly, the user accepts all resulting liability. If you as the purchaser or user are not prepared to accept the liability associated with the use of the Product, purchaser is advised to return the Product immediately in new and unused condition to the place of purchase.

Law

These terms are governed by Illinois law (without regard to conflict of law principals). This warranty gives you specific legal rights, and you may also have other rights which vary from state to state. Horizon reserves the right to change or modify this warranty at any time without notice.

WARRANTY SERVICES

Questions, Assistance, and Services

Your local hobby store and/or place of purchase cannot provide warranty support or service. Once assembly, setup or use of the Product has been started, you must contact your local distributor or Horizon directly. This will enable Horizon to better answer your questions and service you in the event that you may need any assistance. For questions

or assistance, please visit our website at www.horizonhobby.com, submit a Product Support Inquiry, or call the toll free telephone number referenced in the Warranty and Service Contact Information section to speak with a Product Support representative.

Inspection or Services

If this Product needs to be inspected or serviced and is compliant in the country you live and use the Product in, please use the Horizon Online Service Request submission process found on our website or call Horizon to obtain a Return Merchandise Authorization (RMA) number. Pack the Product securely using a shipping carton. Please note that original boxes may be included, but are not designed to withstand the rigors of shipping without additional protection. Ship via a carrier that provides tracking and insurance for lost or damaged parcels, as Horizon is not responsible for merchandise until it arrives and is accepted at our facility. An Online Service Request is available at http://www.horizonhobby.com/content/service-center_render-service-center. If you do not have internet access, please contact Horizon Product Support to obtain a RMA number along with instructions for submitting your product for service. When calling Horizon, you will be asked to provide your complete name, street address, email address and phone number where you can be reached during business hours. When sending product into Horizon, please include your RMA number, a list of the included items, and a brief summary of the problem. A copy of your original sales receipt must be included for warranty consideration. Be sure your name, address, and RMA number are clearly written on the outside of the shipping carton.

NOTICE: Do not ship Li-Po batteries to Horizon. If you have any issue with a Li-Po battery, please contact the appropriate Horizon Product Support office.

Warranty Requirements

For Warranty consideration, you must include your original sales receipt verifying the proof-of-purchase date. Provided warranty conditions have been met, your Product will be serviced or replaced free of charge. Service or replacement decisions are at the sole discretion of Horizon.

Non-Warranty Service

Should your service not be covered by warranty, service will be completed and payment will be required without notification or estimate of the expense unless the expense exceeds 50% of the retail purchase cost. By submitting the item for service you are agreeing to payment of the service without notification. Service estimates are available upon request. You must include this request with your item submitted for service. Non-warranty service estimates will be billed a minimum of 1/2 hour of labor. In addition you will be billed for return freight. Horizon accepts money orders and cashier's checks, as well as Visa, MasterCard, American Express, and Discover cards. By submitting any item to Horizon for service, you are agreeing to Horizon's Terms and Conditions found on our website http://www.horizonhobby.com/content/service-center_render-service-center.

ATTENTION: Horizon service is limited to Product compliant in the country of use and ownership. If received, a non-compliant Product will not be serviced. Further, the sender will be responsible for arranging return shipment of the un-serviced Product, through a carrier of the sender's choice and at the sender's expense. Horizon will hold non-compliant Product for a period of 60 days from notification, after which it will be discarded.

10/15

WARRANTY AND SERVICE CONTACT INFORMATION

| COUNTRY OF PURCHASE | HORIZON HOBBY | CONTACT INFORMATION | ADDRESS |
|--------------------------|---|--|---|
| United States of America | Horizon Service Center (Repairs and Repair Requests) | servicecenter.horizonhobby.com/RequestForm/ | 2904 Research Rd Champaign, IL 61822 |
| | Horizon Product Support (Product Technical Assistance) | productsupport@horizonhobby.com 877-504-0233 | |
| | Sales | websales@horizonhobby.com 800-338-4639 | |
| European Union | Horizon Technischer Service | service@horizonhobby.eu | Hanskampring 9 D 22885 Barsbüttel, Germany |
| | Sales: Horizon Hobby GmbH | +49 (0) 4121 2655 100 | |

FCC INFORMATION

Contains FCC ID: BRWKATY1T

Contains FCC ID: BRWWACO1T

This equipment complies with FCC and IC radiation exposure limits set forth for an uncontrolled environment. This equipment should be installed and operated with minimum distance 20cm between the radiator and/or antenna and your body (excluding fingers, hands, wrists, ankles and feet). This transmitter must not be co-located or operating in conjunction with any other antenna or transmitter.

SUPPLIER'S DECLARATION OF CONFORMITY

Axial Capra 1.9 4WS Trail Buggy RTR (AXI03022)

FCC This device complies with part 15 of the FCC Rules. Operation is subject to the following two conditions: (1) This device may not cause harmful interference, and (2) this device must accept any interference received, including interference that may cause undesired operation.



CAUTION: changes or modifications not expressly approved by the party responsible for compliance could void the user's authority to operate the equipment.

NOTE: This equipment has been tested and found to comply with the limits for a Class B digital device, pursuant to part 15 of the FCC Rules. These limits are designed to provide reasonable protection against harmful interference in a residential installation. This equipment

generates, uses and can radiate radio frequency energy and, if not installed and used in accordance with the instructions, may cause harmful interference to radio communications. However, there is no guarantee that interference will not occur in a particular installation. If this equipment does cause harmful interference to radio or television reception, which can be determined by turning the equipment off and on, the user is encouraged to try to correct the interference by one or more of the following measures:

- Reorient or relocate the receiving antenna.
- Increase the separation between the equipment and receiver.
- Connect the equipment into an outlet on a circuit different from that to which the receiver is connected.
- Consult the dealer or an experienced radio/TV technician for help.

Horizon Hobby, LLC
2904 Research Rd.,
Champaign, IL 61822
Email: compliance@horizonhobby.com
Web: HorizonHobby.com

IC INFORMATION

CAN ICES-3 (B)/NMB-3(B)

Contains IC: 6157A-KATY1T

Contains IC: 6157A-WACO1T

This device complies with Industry Canada licence-exempt RSS standard(s). Operation is subject to the following two conditions:

(1) this device may not cause interference, and (2) this device must accept any interference, including interference that may cause undesired operation of the device.

COMPLIANCE INFORMATION FOR THE EUROPEAN UNION

CE **EU COMPLIANCE STATEMENT:**

Axial Capra 1.9 4WS Trail Buggy RTR (AXI03022)

Hereby, Horizon Hobby, LLC declares that the device is in compliance with the following: EU Radio Equipment Directive 2014/53/EU; RoHS 2 Directive 2011/65/EU; RoHS 3 Directive - Amending 2011/65/EU Annex II 2015/863.

The full text of the EU declaration of conformity is available at the following internet address: <https://www.horizonhobby.com/content/support-render-compliance>.

NOTE: This product contains batteries that are covered under the 2006/66/EC European Directive, which cannot be disposed of with normal household waste. Please follow local regulations.

Wireless Frequency Range and Wireless Output Power

Transmitter

2402.0 - 2478.0 MHz

17.7 dBm

Receiver

2402-2478 MHz

3 dBm

EU Manufacturer of Record:

Horizon Hobby, LLC
2904 Research Road
Champaign, IL 61822 USA

EU Importer of Record:

Horizon Hobby, GmbH
Hanskampring 9
22885 Barsbüttel Germany

WEEE NOTICE:



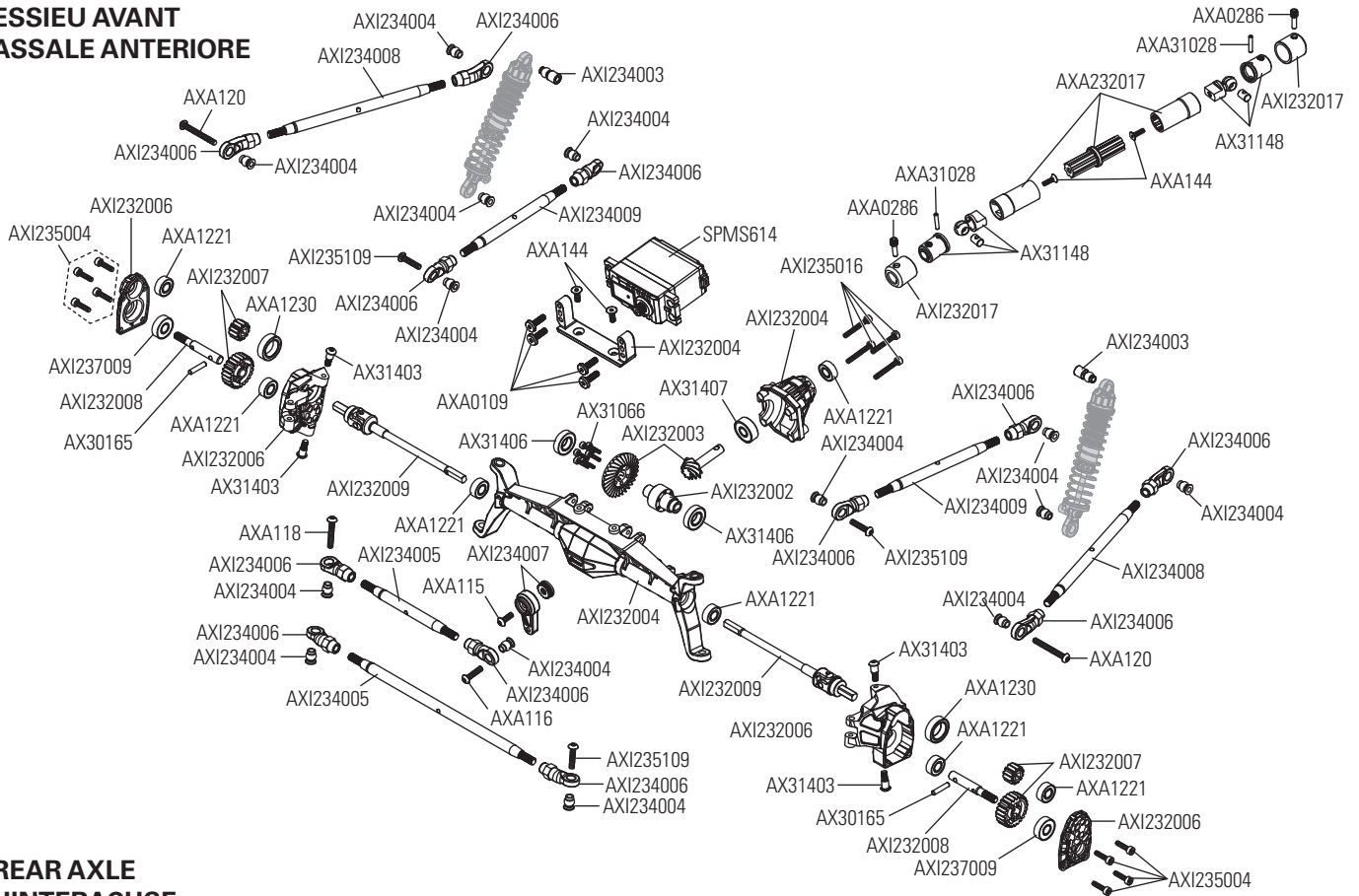
This appliance is labeled in accordance with European Directive 2012/19/EU concerning waste of electrical and electronic equipment (WEEE). This label indicates that this product should not be disposed of with household waste. It should be deposited at an appropriate facility to enable recovery and recycling.



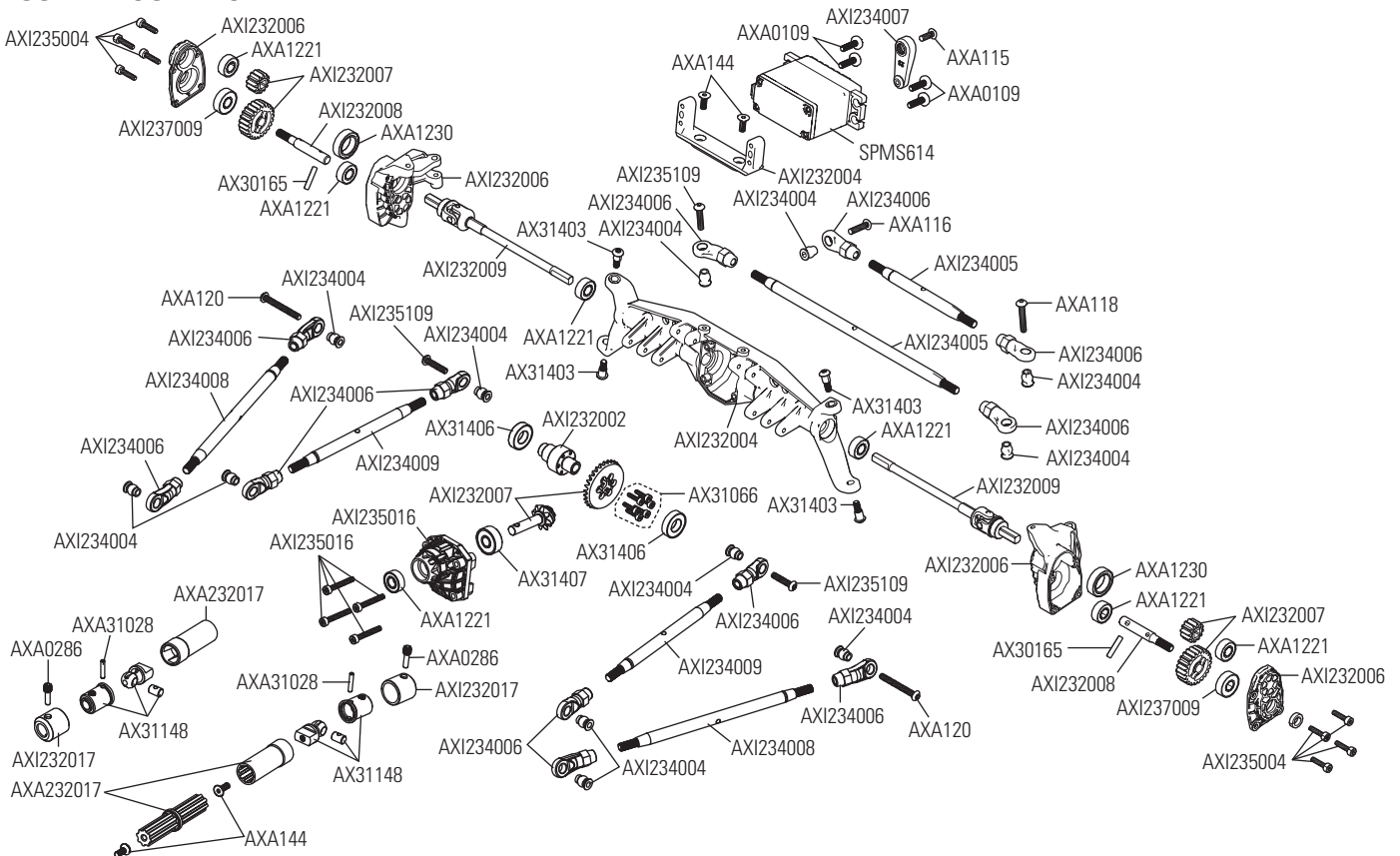
E328

EXPLODED VIEWS // EXPLOSIONSZEICHNUNGEN // VUES ÉCLATÉES // VISTE ESPLOSE

**FRONT AXLE
VORDERACHSE
ESSIEU AVANT
ASSALE ANTERIORE**

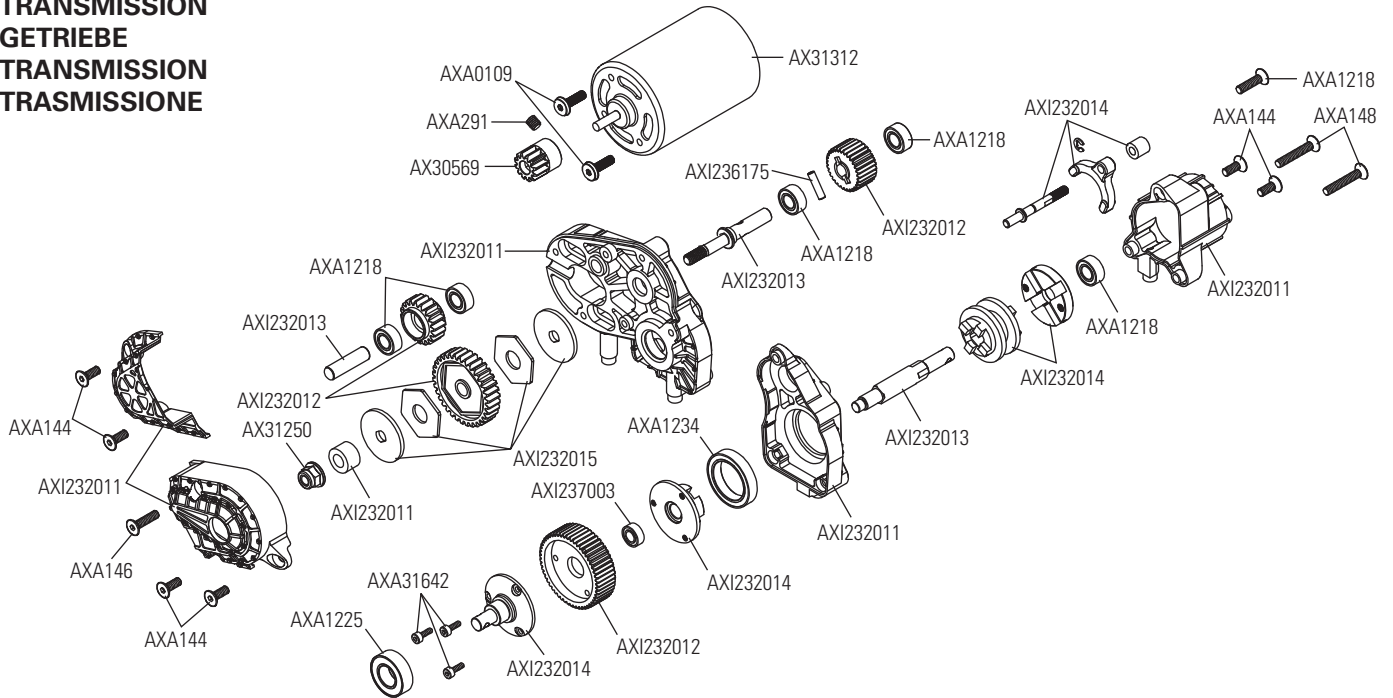


**REAR AXLE
HINTERACHSE
ESSIEU ARRIÈRE
ASSALE POSTERIORE**

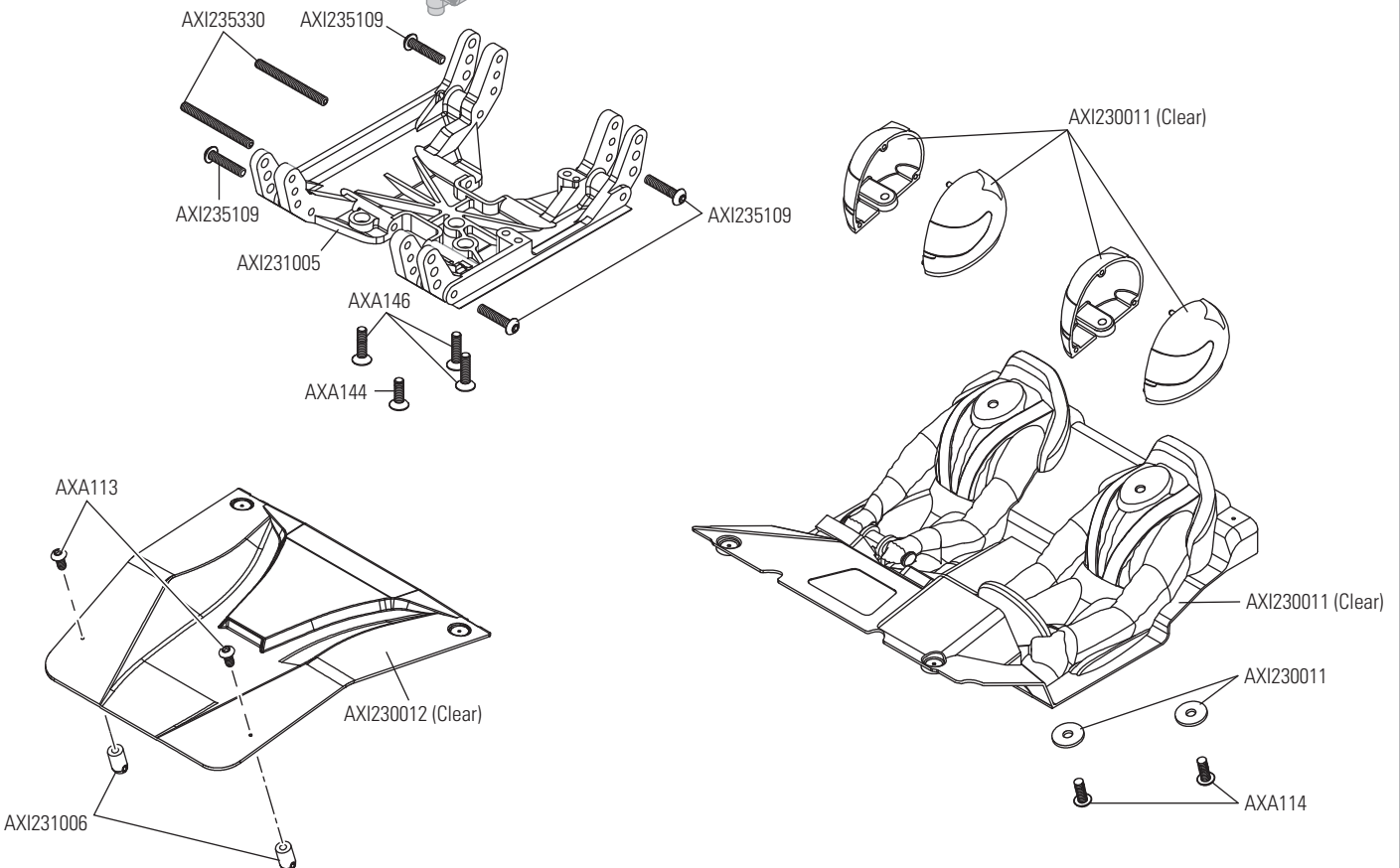
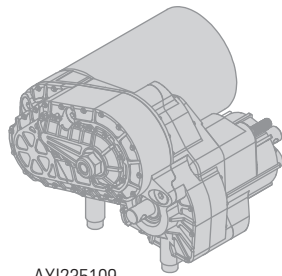


EXPLODED VIEWS // EXPLOSIONSZEICHNUNGEN // VUES ÉCLATÉES // VISTE ESPLOSE

**TRANSMISSION
GETRIEBE
TRANSMISSION
TRASMISSIONE**

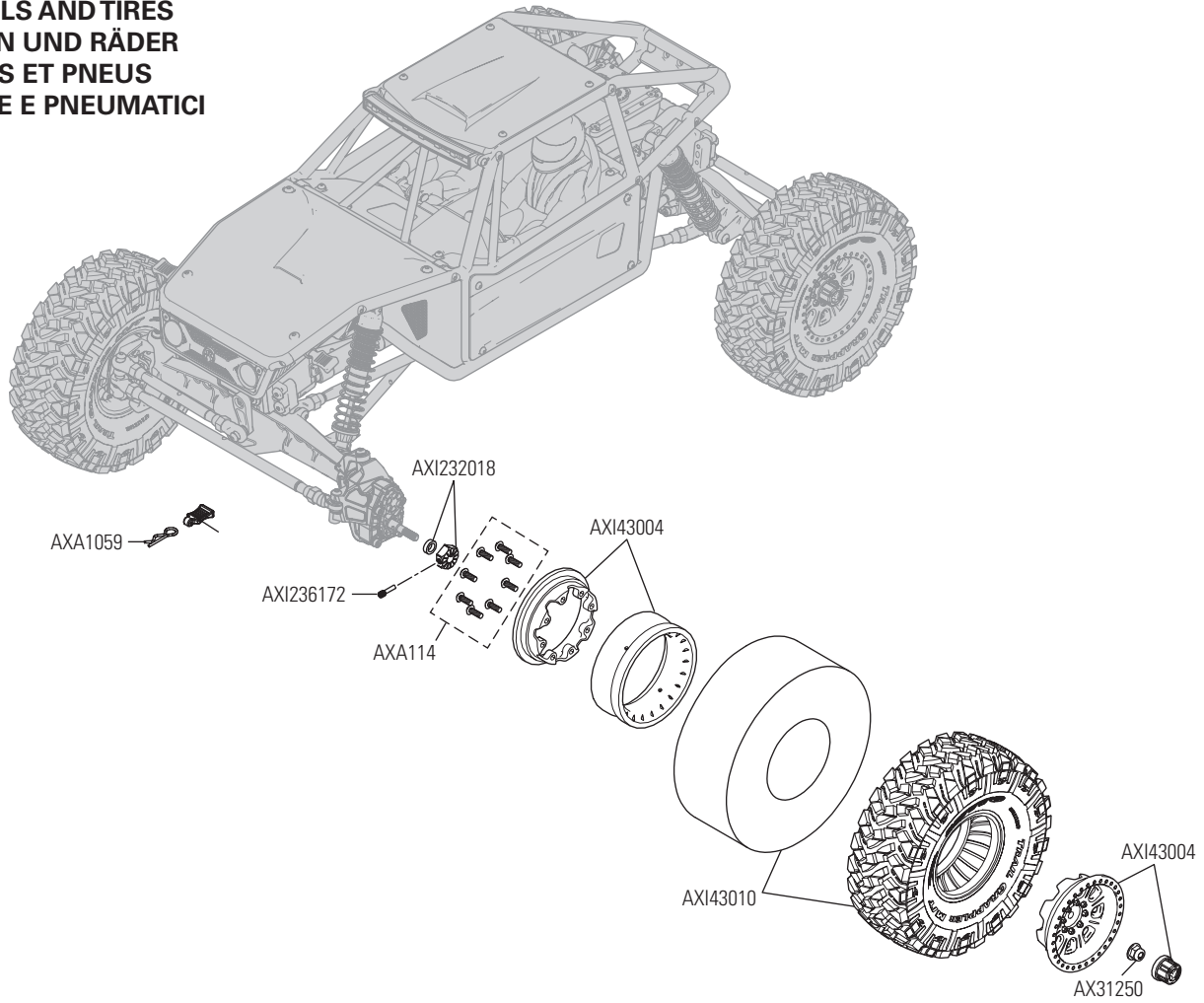


**CHASSIS
KAROSSERIE
CHÂSSIS
TELAIO**



EXPLODED VIEWS // EXPLOSIONSZEICHNUNGEN // VUES ÉCLATÉES // VISTE ESPLOSE

**WHEELS AND TIRES
REIFEN UND RÄDER
ROUES ET PNEUS
RUOTE E PNEUMATICI**



PARTS LISTS // TEILELISTEN // LISTE DES PIÈCES // ELENCO COMPONENTI

| Part # | Description | Beschreibung | Description | Descrizione |
|-----------|-------------------------------------|---|---|---|
| AXI230010 | Head Light Lens: UTB | Scheinwerferlinse | Lentilles de phares | Lenti per faro |
| AXI230011 | Interior Set: UTB | Interieurset | Ensemble d'intérieur | Set interni |
| AXI230012 | Body Panel Set (Clear): UTB | Karosserieteilesatz, farblos | Ensemble de panneaux de carrosserie, transparent | Set pannelli carrozzeria, trasparente |
| AXI231005 | Skid Plate: UTB | Motorschutz | Plaque de protection | Piastra di protezione |
| AXI231044 | Cage Set Complete Red: Capra 4W | Überrollkäfigset, komplett, rot | Ensemble de cages complet, rouge | Set scocca completo, rosso |
| AXI231045 | Cage Set Comp Black: Capra 4WS | Überrollkäfigset, komplett, schwarz | Ensemble de cages complet, noir | Set scocca completo, nero |
| AXI232002 | 6-Bolt Differential Locker | 6-Schrauben-Differenzial-Sicherung | Blocage différentiel à 6 boulons | Blocco differenziale 6 bulloni |
| AXI232003 | 6 Bolt Heavy Duty Gear Set | 6-Schrauben-Schwerlast-Zahnradatz | Ensemble d'engrenages haute résistance à 6 boulons | Set ingranaggio impieghi gravosi 6 bulloni |
| AXI232004 | F9 Portal Axl housing FR: UTB | Currie F9-Portalachsgehäuse, vorne | Carter d'essieu du portique Currie F9, avant | Currie F9 Portal, alloggiamento assale, anteriore |
| AXI232005 | F9 Portal Axl housing RR: UTB | Currie F9-Portalachsgehäuse, hinten | Carter d'essieu du portique Currie F9, arrière | Currie F9 Portal, alloggiamento assale, posteriore |
| AXI232006 | F9 Portal Str knucl & Cap: UTB | Currie F9 Portal-Achsschenkel und -abdeckung | Rotule de direction et coiffe du portique Currie F9, arrière | Currie F9 Portal, fuso a snodo e tappo |
| AXI232007 | 32P Portal Gr Set 23T/12T 2pc each | 32P Portalachssatz 23T/12T (2) | Ensemble engrenage portique 32P 23T/12T (2) | Set ingranaggi 32P Portal 23T/12T (2) |
| AXI232008 | Portal Stub Axle (2) | Portalachsschenkel (2) | Demi-essieu du portique (2) | Fusello Portal (2) |
| AXI232009 | F9 Universal Axle Set (2pcs)UTB | Currie F9-Universalachsset (2) | Ensemble d'essieux universels Currie F9 (2) | Currie F9, set assale universale (2) |
| AXI232010 | F9 Straight Axle Shaft 2pcs UTB | Currie F9, Gerade Achswelle (2) | Ensemble d'essieux droits Currie F9 (2) | Currie F9, set assale dritto (2) |
| AXI232011 | Dig Transmission Case Set: UTB | Grabgetriebe-Abdeckungssatz | Ensemble boîtier de transmission dig | Set scatola cambio dig |
| AXI232012 | Dig Trans Metal Gear Set: UTB | Grabgetriebe-Metalgetriebeatz | Ensemble d'engrenages métalliques de transmission dig | Set ingranaggi trasmissione dig in metallo |
| AXI232013 | Dig Transmission Shaft Set: UTB | Grabgetriebewellensatz | Ensemble d'arbres de transmission dig | Set albero trasmissione dig |
| AXI232014 | Dig Trans Components: UTB | Grabgetriebe, „Grab“-komponenten | Composants « dig » transmission dig | Componenti trasmissione dig |
| AXI232015 | Dig Trans Slipper Pads/Plts:UTB | Grabgetriebe-Gleitschuhe/-platten | Sabots de pistons/plaques de sabot de transmission dig | Piastre/pattini di scorrimento trasmissione dig |
| AXI232016 | Dig Trans Mnts&Srvo Svr Set: UTB | Grabgetriebe-Halterungen und Servo-Saversatz | Ensemble supports et économiseur de servo de transmission dig | Set salvaservo e supporti trasmissione dig |
| AXI232017 | Wild Boar Driveshaft Set: UTB | Wild Boar-Antriebswellensatz | Ensemble d'arbres de transmission Wild Boar | Set albero di trasmissione Wild Boar |
| AXI232018 | 12mm Hex Pin and Spacer (4): UTB | 12-mm-Sechskantstift und Abstandhalter (4) | Broche hexagonale 12mm et entretoise (4) | Distanziale e perno esagonale 12mm (4) |
| AXI233000 | Thrd AL Shk Bdy 11x41.5mm HA 2p | Gewinde-Aluminium-Stoßdämpfergehäuse 11x41,5mm HA (2) | Carrosserie d'amortisseurs en aluminium fileté 11x41,5mm HA (2) | Scocca ammortizzatore filettata in alluminio 11x41,5mm HA (2) |
| AXI233001 | Shock Shaft M3x53.4 (2pcs): UTB | Kolbenstange M3 x 53,4 mm (2) | Bras d'amortisseur M3x53,4mm (2) | Albero ammortizzatore M3x53,4mm (2) |
| AXI233002 | Shock Prts Molded; UTB | Stoßdämpferteile, gegossen | Pièces de l'amortisseur moulées | Parti ammortizzatore stampate |
| AXI233003 | Shock O-Ring Set: UTB | O-Ring-Satz für den Stoßdämpfer | Ensemble de joints toriques d'amortisseur | Set O-Ring ammortizzatore |
| AXI233004 | Spring 13x70mm .75lbs/in Pruple (2) | Feder 13x70mm 0,72 lbs/in (326 g/Zoll), violett (2) | Ressort 13x70mm 0,72lbs/po, violet (2) | Molla 13x70mm 0,72lbs/in (326 g/pollice), viola (2) |
| AXI233006 | Spring 13x70mm 1.16lbs/in Red (2) | Feder 13x70mm 1,72 lbs/in (780 g/Zoll), rot (2) | Ressort 13x70mm 1,72lbs/po, rouge (2) | Molla 13x70mm 1,72lbs/in (780 g/pollice), rosso (2) |
| AXI233008 | Spring 13x70mm 1.62lbs/in Grn(2) | Feder 13x70mm 2,4 lbs/in (1,08 kg/Zoll), grün (2) | Ressort 13x70mm 2,4lbs/po, vert (2) | Molla 13x70mm 2,4lbs/in (1,08 kg/pollice), verde (2) |
| AXI234003 | Pvt Ball,Stainless12.75mm(4):UTB | Kugelzapfen, Edelstahl 12,75 mm (4) | Rotule, acier inoxydable 12,75mm (4) | Pivot ball, inossidabile, 12,75mm (4) |
| AXI234004 | Susp Pvt Ball, Stainless 7.5mm | Kugelzapfen für Federung, Edelstahl 7,5 mm | Rotule de suspension, acier inoxydable 7,5mm | Pivot ball sospensioni, inossidabile, 7,5mm |
| AXI234005 | Steering Lnks Stainless Stl: UTB | Spurstangen, Edelstahl | Tringleries de direction, acier inoxydable | Tiranti sterzo, inossidabili |
| AXI234006 | HD Rod Ends M4 20pcs: UTB | Schwerlast-Stangenköpfe M4 (20) | Embouts de bielle haute résistance M4 (20) | Teste a snodo per impiego gravoso M4 (20) |
| AXI234007 | SS M6x 111mm Link (2pcs): UTB | Edelstahlglied M6 x 111 mm (2) | Liaison en acier inoxydable M6x111mm (2) | Braccetti in acciaio inossidabile M6x111mm (2) |
| AXI234008 | SS M6x 111mm Link (2pcs): UTB | Edelstahlglied M6x111mm (2) | Liaison en acier inoxydable M6x111mm (2) | Braccetti in acciaio inossidabile M6x111mm (2) |
| AXI234009 | Stainless Steel M6 x 89mm Link | Edelstahlglied M6x89mm (2) | Liaison en acier inoxydable M6x89mm (2) | Braccetti in acciaio inossidabile M6x89mm (2) |
| AXI235014 | M2.5 x 10mm, Cap Head Screw (10) | Inbusschraube, M2,5x10mm (10) | Vis d'assemblage creuse, M2,5x10mm (10) | Vite a testa cilindrica M2,5x10mm (10) |
| AXI235016 | M2.5 x 16mm, Cap Head Screw (10) | Inbusschraube, M2,5x16mm (10) | Vis d'assemblage creuse, M2,5x16mm (10) | Vite a testa cilindrica M2,5x16mm (10) |
| AXI235094 | M2.5 x 3mm, Button Head (10) | Rundkopfschraube, M2,5x3mm (10) | Vis à tête bombée, M2,5x3mm (10) | Vite a testa tonda M2,5x3mm (10) |
| AXI235097 | M2.5 x 6mm, BHS (10) | Rundkopfschraube, M2,5x6mm (10) | Vis à tête bombée, M2,5x6mm (10) | Vite a testa tonda M2,5x6mm (10) |
| AXI235098 | M2.5 x 8mm Button Head Screw (10) | Rundkopfschraube, M2,5x8mm (10) | Vis à tête bombée, M2,5x8mm (10) | Vite a testa tonda M2,5x8mm (10) |
| AXI235099 | M2.5 x 10mm, Button Head (10) | Rundkopfschraube, M2,5x10mm (10) | Vis à tête bombée, M2,5x10mm (10) | Vite a testa tonda M2,5x10mm (10) |
| AXI235102 | M2.5 x 18mm, BHS (10) | Rundkopfschraube, M2,5x18mm (10) | Vis à tête bombée, M2,5x18mm (10) | Vite a testa tonda M2,5x18mm (10) |
| AXI235109 | M3 x 14mm, Button Head Screw(10) | Rundkopfschraube, M3x14mm (10) | Vis à tête bombée, M3x14mm (10) | Vite a testa tonda M3x14mm (10) |
| AXI235169 | M2.5 x 12mm, Flat Head Screw (10) | Flachkopfschraube, M2,5x12mm (10) | Vis à tête plate, M2,5x12mm (10) | Vite a testa piana M2,5x12mm (10) |
| AXI235330 | M3x30mm,Cup Point Set Screw (10) | Stellschraube mit Ringschneide M3x30mm (10) | Vis de fixation à bout cuvette M3x30mm (10) | Vite di fermo senza testa M3x30mm (10) |
| AXI236171 | M2.5 x 10mm Pin (6) | Stift M2,5x10mm (6) | Axe M2.5x10 mm (6) | Perno M2,5x10mm (6) |
| AXI236172 | Screw Shaft M3x2.0x12mm | Schraubenschaft M3x2x12mm | Tige de vis M3x2x12 mm | Albero filettato M3x2x12mm |
| AXI43004 | 3pc Raceline Mnstr bdlk whl (2) | 3x Raceline Monster Beadlock-Rad (2) | 3 pièces de verrou de talon Raceline Monster (2) | Cerchio Beadlock Raceline Monster in 3 pezzi (2) |

| Part # | Description | Beschreibung | Description | Descrizione |
|--------------|-------------------------------------|---|--|---|
| AXI43010 | 1.9Nitto Trl Grplr M/T 4.7 (2) | 1,9 Zoll Nitto Trail Grappler Monster-Truck (2) | Pneu 1.9" Nitto Trail Grappler Monster Truck (2) | Pneumatico compound 1.9" Nitto Trail Grappler Monster Truck (2) |
| AXIC0012 | AXA120 Hex Socket Btn Hd M3x25 | Sechskant-Rundkopfschraube M3x25mm | Douille à six pans à tête bombée M3x25mm | Vite a testa tonda con esagono incassato M3x25mm |
| AXIC0013 | AXA013 Cap Hd M2x6mm Blk Oxide | Inbusschraube, M2x6mm, Schwarzoxid | Vis d'assemblage creuse M2x6mm brunie | Vite a testa cilindrica M2x6mm ossido nero |
| AXIC0115 | AXA115 Hex Skt Butn Head M3x10 | Sechskant-Rundkopfschraube, M3x10mm | Douille à six pans à tête bombée M3x10mm | Vite a testa tonda con esagono incassato M3x10mm |
| AXIC0118 | AXA144 Hex Flt Hd M3x8mm Blk10 | Sechskant-Flachkopfschraube, M3x8mm, schwarz (10) | Douille à six pans à tête plate M3x8mm noire (10) | Vite a testa piana esagonale M3x8mm nero (10) |
| AXIC0146 | AXA146 Hex Skt Flat Hd M3x12mm | Sechskant-Flachkopfschraube, M3x12mm | Douille à six pans à tête plate M3x12mm | Vite a testa piana con esagono incassato M3x12mm |
| AXIC0218 | AXA1218 Bearing 5x10x4mm | Lager 5x10x4mm | Roulement 5x10x4mm | Cuscinetto 5x10x4mm |
| AXIC0221 | AXA1221 Bearing 5x11x4mm | Lager 5x11x4mm | Roulement 5x11x4mm | Cuscinetto 5x11x4mm |
| AXIC0286 | AXA0286 Screw Shaft M4x2.5x12 | Schraubenschaft M4x2,5x12 mm | Tige de vis M4x2,5x12mm | Albero filettato M4x2.5x12mm |
| AXIC0291 | AXA291 Set Scr M4x4mm Blk Ox(6 | Stellschraube, M4x4mm, Schwarzoxid (6) | Vis de fixation M4x4mm brunie (6) | Vite di fermo M4x4 mm ossido nero (6) |
| AXIC0795 | AX31586 Wb8-hd Std Driveshafts | WB8-HD Standard-Antriebswelle | Arbre de transmission standard WB8-HD | Albero di trasmissione standard WB8-HD |
| AXIC1009 | AXA0109 Hex Skt Oversize M3x10mm | Sechskant-Übergröße M3x10mm | Douille à 6 pans surdimensionnée M3x10mm | Viti oversize con esagono incassato M3x10mm |
| AXIC1148 | AX31148 Wb8-hd Drvshft Coupler | WB8-HD-Antriebswellenkupplung | Ensemble de couplage d'arbre de transmission WB8-HD | Accoppiamento albero trasmissione WB8-HD |
| AXIC1180 | AXA118 Hex Socket BtnHd M3x18mm(10) | Sechskant-Rundkopfschraube M3x18mm (10) | Douille à six pans à tête bombée M3x18mm (10) | Viti a testa tonda con esagono incassato M3x18mm (10) |
| AXIC1243 | AXA1243 Bearing 15x21x4mm (2) | Lager 15x21x4mm (2) | Roulement à billes 15x21x4mm (2) | Cuscinetto 15x21x4mm (2) |
| AXIC3066 | AX31066 Cap Hd M2x8mm Blk (10) | Inbusschraube M2x8mm, schwarz (10) | Vis d'assemblage creuse M2x8mm noire (10) | Vite a testa cilindrica M2x8mm nero (10) |
| AXIC3150 | AX31250 Ser Nyl Nut Blk 4mm(10) | Nylon-Feststellflanschmutter, 4mm (10) | Contre-écrou en nylon strié 4mm (10) | Dato flangiato Nylock nero 4mm (10) |
| AXIC3165 | AX30165 Pin 2.5x12mm (6) | Stift 2,5x12mm (6) | Axe M2,5x12mm (6) | Perno 2,5x12mm (6) |
| AXIC4406 | AX31406 Bearing 7x14x3.5mm (2) | Lager 7x14x3,5mm (2) | Roulement 7x14x3,5mm (2) | Cuscinetto 7x14x3,5mm (2) |
| AXIC4407 | AX31407 Bearing 5x14x5mm (2) | Lager 5x14x5mm (2) | Roulement 5x14x5 mm (2) | Cuscinetto 5x14x5mm (2) |
| SPM2340 | DX3 SMART DSMR 3CH TX w/SR315 | DX3 SMART 3CH Sender | DX3 Smart 3CH Émetteur | DX3 Smart 3CH Trasmettitore |
| SPMS614 | S614 Metal Gear Servo 23T WP | S614 Metallgetriebeservo 23T WP | Servo à engrenages métalliques S614, 23 dents, étanche | Servo con ingranaggi in metallo S614 23T WP |
| SPMXSE1040RX | 40 Amp Brushed Smart ESC/RX | 40 Amp Empfänger/Geschwindigkeitsregler-Kombination | Combinaison récepteur/ESC 40 Amp | Combo Ricevitore/ESC 40 Amp |

RECOMMENDED // EMPFOHLEN // RECOMMANDÉ // CONSIGLIATO

| Part # | Description | Beschreibung | Description | Descrizione |
|--------------|----------------------------------|----------------------------------|----------------------------------|----------------------------------|
| DYNB37353 | 11.1V 3700mAh 3S 50C LiPo 96mmEC | 11.1V 3700mAh 3S 50C LiPo 96mmEC | 11.1V 3700mAh 3S 50C LiPo 96mmEC | 11.1V 3700mAh 3S 50C LiPo 96mmEC |
| DYNB402596H3 | 7.4V4000mAh2S50CLiPo,Hrds:96mm | 7.4V4000mAh2S50CLiPo,Hrds:96mm | 7.4V4000mAh2S50CLiPo,Hrds:96mm | 7.4V4000mAh2S50CLiPo,Hrds:96mm |
| DYNS0900 | Brushed Crawler Combo 35T | Brushed Crawler Combo 35T | 35T Combo Crawler brossé | Spazzolato Crawler Combo 35T |

OPTIONAL PARTS / OPTIONALE TEILE / PIÈCES EN OPTION / PARTI OPZIONALI

| Part # | Description | Beschreibung | Description | Descrizione |
|------------|-------------------------------------|--|--|-------------------------------------|
| AXI332001 | 6-Bolt 27/8 Overdrive Gear Set | 6-Schrauben 27/8 Übersteuerungs-Zahnradatz | Ensemble d'engrenage de surmultiplicateur 27/8 à 6 boulons | Set marcia overdrive 27/8 6 bulloni |
| DTXC4016 | Scaler CR 1.9" Crawler Tire C3 (2) | Scaler CR 1,9 Zoll Crawler Reifen C3 (2) | Pneu Crawler 4,5 cm (1,9 po) Scaler CR C3 (2) | Ruote Crawler Scaler CR 1.9 C3 (2) |
| DTXC4027 | Deep Woods CR C3 Mntd 1.9" Crawler | Deep Woods CR C3 Mont. 1,9 Zoll Crawler | Crawler 4,5 cm (1,9 po) monté C3 Deep Woods CR | Crawler Deep Woods CR C3 Mt 1.9 |
| DTXC4030 | Approach CR C3 Mounted 1.9" Crawler | Approach CR C3 Montiert 1,9 Zoll Crawler | Crawler 4,5 cm (1,9 po) monté C3 Approach CR | Ruote Approach CR C3 Mnt 1.9 |
| DTXC4031 | Approach CR C3 Mntd 1.9" Crawler BI | Approach CR C3 Mont. 1,9 Zoll Crawler | Crawler BI 4,5 cm (1,9 po) monté C3 Approach CR | Ruote Approach CR C3 Mnt 1.9 nro |
| DTXC4034 | Showdown CR C3 Mounted 1.9" Crawler | Showdown CR C3 Montiert 1,9 Zoll Crawler | Crawler 4,5 cm (1,9 po) monté C3 Showdown CR | Ruote Showdown CR C3 Mnt 1.9 |
| DTXC4035 | Showdown CR C3 Mntd 1.9" Crawler BI | Showdown CR C3 Mont. 1,9 Zoll Crawler | Crawler BI 4,5 cm (1,9 po) monté C3 Showdown CR | Ruote Showdown CR C3 Mnt 1.9 nro |
| PRO1011200 | Flat Iron 1.9XL G8 Rock w/Foam | Flat Iron 1,9XL G8 felsig mit Schaumstoff | Rock G8 1,9XL Flat Iron avec mousse | Flat Iron 1.9XL G8 Rock memo foam |
| PRO1012803 | Hyrax 1.9" Predator Tires (2) | Hyrax 1,9 Zoll Predator Reifen (2) | Pneus Predator 4,5 cm (1,9 po) Hyrax (2) | Ruote Hyrax 1.9 Predator (2) |
| PRO1012814 | Hyrax 1.9 G8 Rock Terrain Truck | Hyrax 1,9 G8 Truck felsiges Gelände | Véhicule terrain rocaillieux G8 1,9 Hyrax | Hyrax 1.9 G8 Truck Roccia |
| PRO1013310 | Inter Bogger 1.9 Impulse Blk Whl | Inter Bogger 1,9 Impulse schwarze Räder | Roue noire Impulse 1,9 Inter Bogger | Interco Bogger 1.9 Impulse Nero |
| PRO1013314 | Interco Bogger 1.9 G8 Rock Ter | Interco Bogger 1,9 G8 felsiges Gelände | Terrain rocaillieux G8 1,9 Interco Bogger | Interco Bogger 1.9 G8 Roccia |
| PRO1013603 | BFGKrwlrTA KX 1.9Prdtr Tires FR | BFGKrwlrTA KX 1,9Prdtr Reifen FR | Pneus Predator 1,9 KX BFG Krawler TA avant | BFG Krawler TA KX 1.9 Prdtr Av/Pst |
| PRO1013614 | BFGGoodrich Krawler T/A KX 1.9 G8 | BFGGoodrich Krawler T/A KX 1,9 G8 | G8 1,9 KX T/A BFGGoodrich Krawler | BF Goodrich Krawler T/A KX 1.9 G8 |

| Part # | Description | Beschreibung | Description | Descrizione |
|------------|-------------------------------------|---|---|-------------------------------------|
| PRO1015003 | BFG T/A KM3 1.9" PrdtrRckTrs(2) | BFG T/A KM3 1,9 Zoll PrdtrRckTrs(2) | Pneus rocailleux Predator 4,5 cm (1,9 po) KM3 T/A BFG (2) | BFG T/A KM3 1.9" Prdtr Roccia (2) |
| PRO1015014 | BFGrich Mud-Terrain T/A KM3 1.9 | BFGrich Mud-Terrain T/A KM3 1,9 | 1,9 KM3 T/A terrain boueux BFGrich | BF Grich Fango T/A KM3 1.9 |
| PRO1018303 | Trencher 1.9" Predator F/R | Trencher 1,9 Zoll Predator F/R | Predator 4,5 cm (1,9 po) Trencher avant/arrière | Trencher 1.9" Predator Av/Pst |
| PRO1018314 | Trencher 1.9" G8 Tires F/R | Trencher 1,9 Zoll G8 Reifen F/R | Pneus G8 4,5 cm (1,9 po) Trencher avant/arrière | Ruote Trencher 1.9 G8 Av/Pst |
| PRO116314 | Interco Swamper 1.9 G8 Rock Tir | Interco Swamper 1,9 G8 felsig Reifen | Pneu rocailleux G8 1,9 Interco Swamper | Interco Bogger 1.9 G8 Roccia |
| PRO119703 | TSL SX S Swamp XL 1.9 Predator | TSL SX S Swamp XL 1,9 Zoll Predator | Predator 1,9 XL TSL SX S Swamp | TSL SX S Swamp XL 1.9 Predator |
| PRO119714 | Swamper XL 1.9 G8 Rock Terrain | Swamper XL 1,9 Zoll G8 felsiges Gelände | Terrain rocailleux G8 1,9 XL Swamper | Swamper XL 1.9 G8 Roccia |
| SPM5210 | DX5 Rugged DSMR TX w/6200A RX | DX5 Rugged DSMR TX mit 6200A RX | Émetteur DX5 robuste DSMR avec récepteur 6200A | Tx DX5 Rgd DSMR con RX 6200A |
| SPMR5115 | DX5C SMART 5CH DSMR TX ONLY | DX5C SMART DSMR 5-Kanal nur TX | ÉMETTEUR UNIQUEMENT DSMR 5 CANAUX SMART DX5C | DX5C SMART 5CH DSMR SOLO TX |
| SPMR5200G | DX5 Rugged DSMR TX Only, Green | Nur DX5 Rugged DSMR TX, Grün | Émetteur uniquement DX5 robuste DSMR, vert | DX5 Rugged DSMR solo Tx, verde |
| SPMR52000 | DX5 Rugged DSMR TX Only, Orange | Nur DX5 Rugged DSMR TX, Orange | Émetteur uniquement DX5 robuste DSMR, orange | DX5 Rugged DSMR solo Tx, aranc |
| SPMSS6230 | S6230 U-T / M-S Digital WP Servo | S6230 U-T/M-S Digitaler WP Servo | Servo étanche numérique U-T / M-S S6230 | Servo digitale S6230 U-T/M-S imp |
| SPMSS6250 | S6250 U-T / H-S Digital HV WP Servo | S6250 U-T / H-S Digitaler HV WP Servo | Servo numérique étanche haute tension U-T / H-S S6250 | Servo digitale S6250 U-T/H-S imp HV |
| SPMSS6280 | S6280 U-T / H-S Digital HV WP Servo | S6280 U-T / H-S Digitaler HV WP Servo | Servo numérique étanche haute tension U-T / H-S S6280 | Servo digitale S6280 U-T/H-S imp HV |
| SPMXBC100 | SMART Battery & Servo Tester | SMART-Akku und Servotester | Batterie SMART et testeur de servo | Tester servo e batterie Smart |
| SPMXC1010 | Smart S2100 AC Charger, 2X100W | Smart S2100 Wechselstrom-Ladegerät, 2x100 W | Chargeur c.a. Smart S2100, 2 x 100 W | Caricbatt Smart S2100 CA, 2x100 W |
| SPMXC1050 | Smart S1500 DC Charger, 1x500W | Smart S1500 Gleichstrom-Ladegerät, 1x500 W | Chargeur Smart c.c. S1500, 1 x 500 W | Caricbatt Smart S1500 CC, 1x500 W |

OFFICIALLY LICENSED BY:



EXPLORE

facebook.com/axialinc | instagram.com/axialracing | twitter.com/axialrc
youtube.com/axialvideos | flickr.com/axialrc



©2021 Horizon Hobby, LLC.

Axial, the Axial logo, Capra, DSM, STX3, IC3 and the Horizon Hobby logo are trademarks or registered trademarks of Horizon Hobby, LLC.

The Spektrum trademark is used with permission of Bachmann Industries, Inc. Nitto® and Trail Grappler® are registered trademarks of Nitto Tire U.S.A., Inc.

The CRC name and logo are trademarks or registered trademarks of Casey Currie Motorsports. The Raceline Wheels name and logo are trademarks or registered trademarks of Allied Wheel Components, Inc. All other trademarks, service marks and logos are property of their respective owners.

Completed 6/21

AXI03022

128052