



WWW.AXIALADVENTURE.COM

RTR
READY-TO-RUN



AXI03029

1/10th SCALE READY-TO-RUN

LIMITED EDITION

SCX10™ III PRO-LINE® '82 CHEVY® K-10®



INSTRUCTION MANUAL
BEDIENUNGSANLEITUNG
MANUEL D'UTILISATION
MANUALE DI ISTRUZIONI

Scan the QR code and select the Manuals and Support quick links from the product page for the most up-to-date manual information.

Scannen Sie den QR-Code und wählen Sie auf der Produktseite die Quicklinks Handbücher und Unterstützung, um die aktuellsten Informationen zu Handbücher.

Scannez le code QR et sélectionnez les liens rapides Manuals and Support sur la page du produit pour obtenir les informations les plus récentes sur le manuel.

Scannerizzare il codice QR e selezionare i Link veloci Manuali e Supporto dalla pagina del prodotto per le informazioni manuali più aggiornate.

HORIZON
H O B B Y

NOTICE

All instructions, warranties and other collateral documents are subject to change at the sole discretion of Horizon Hobby, LLC. For up-to-date product literature, visit horizonhobby.com or towerhobbies.com and click on the support or resources tab for this product.


MEANING OF SPECIAL LANGUAGE

The following terms are used throughout the product literature to indicate various levels of potential harm when operating this product:

WARNING: Procedures, which if not properly followed, create the probability of property damage, collateral damage, and serious injury OR create a high probability of superficial injury.

CAUTION: Procedures, which if not properly followed, create the probability of physical property damage AND a possibility of serious injury.

NOTICE: Procedures, which if not properly followed, create a possibility of physical property damage AND a little or no possibility of injury.

 **WARNING:** Read the ENTIRE instruction manual to become familiar with the features of the product before operating. Failure to operate the product correctly can result in damage to the product, personal property and cause serious injury.

This is a sophisticated hobby product. It must be operated with caution and common sense and requires some basic mechanical ability. Failure to operate this Product in a safe and responsible manner could result in injury or damage to the product or other property. This product is not intended for use by children without direct adult supervision. Do not use with incompatible components or alter this product in any way outside of the instructions provided by Horizon Hobby, LLC. This manual contains instructions for safety, operation and maintenance. It is essential to read and follow all the instructions and warnings in the manual, prior to assembly, setup or use, in order to operate correctly and avoid damage or serious injury.

Age Recommendation: Not for children under 14 years. This is not a toy.

SAFETY PRECAUTIONS AND WARNINGS

As the user of this product, you are solely responsible for operating in a manner that does not endanger yourself and others or result in damage to the product or property of others.

This model is controlled by a radio signal subject to interference from many sources outside your control. This interference can cause momentary loss of control, so it is advisable to always keep a safe distance in all directions around your model as this margin will help avoid collisions or injury.

- Never operate your model with low transmitter batteries.
- Always operate your model in open spaces away from full-size vehicles, traffic and people.
- Never operate the model in the street or in populated areas for any reason.
- Carefully follow the directions and warnings for this and any optional support equipment (chargers, rechargeable battery packs, etc.) you use.
- Keep all chemicals, small parts and anything electrical out of the reach of children.
- Never lick or place any portion of the model in your mouth as it could cause serious injury or even death.
- Exercise caution when using tools and sharp instruments.
- Take care during maintenance as some parts may have sharp edges.
- Immediately after using your model, do NOT touch equipment such as the motor, electronic speed control and battery, because they generate high temperatures. You may burn yourself seriously touching them.
- Do not put fingers or any objects inside rotating and moving parts, as this may cause damage or serious injury.
- Always turn on your transmitter before you turn on the receiver in the car. Always turn off the receiver before turning your transmitter off.
- Keep the wheels of the model off the ground when checking the operation of the radio equipment.


 **WARNING AGAINST COUNTERFEIT PRODUCTS:** Always purchase from a Horizon Hobby, LLC authorized dealer to ensure authentic high-quality Spektrum product. Horizon Hobby, LLC disclaims all support and warranty with regards, but not limited to, compatibility and performance of counterfeit products or products claiming compatibility with DSM® or Spektrum technology.

TABLE OF CONTENTS


Water-Resistant Vehicle With Waterproof Electronics.....	3	Firma 40A Brushed ESC	10
Box Contents.....	4	Gear Ratios.....	10
Required Equipment	4	Troubleshooting.....	11
Recommended Tools	4	Limited Warranty.....	12
Getting Started Checklist.....	5	Warranty and Service Contact Information	12
Vehicle Parts.....	5	FCC Information.....	13
Charge the Vehicle Battery	6	IC Information.....	13
Install the Transmitter Batteries	6	Compliance Information for the European Union	13
Transmitter Functions.....	6	Exploded Views.....	50
SPMSR315 Dual Protocol Receiver	7	Parts Lists.....	55
Adjusting the Vehicle Battery Tray.....	7	Recommended Parts.....	57
Install the Vehicle Battery	8	Optional Parts.....	57
Binding.....	8	Electronics	57
Range-Checking the Radio System	9	Notes.....	58
Vehicle Maintenance	9		

WATER-RESISTANT VEHICLE WITH WATERPROOF ELECTRONICS

Your new Horizon Hobby vehicle has been designed and built with a combination of waterproof and water-resistant components to allow you to operate the product in many "wet conditions," including puddles, creeks, wet grass, snow and even rain.

While the entire vehicle is highly water-resistant, it is not completely waterproof and your vehicle should NOT be treated like a submarine. The various electronic components used in the vehicle, such as the Electronic Speed Control (ESC), servo(s) and receiver are waterproof, however, most of the mechanical components are water-resistant and should not be submerged.

Metal parts, including the bearings, hinge pins, screws and nuts, as well as the contacts in the electrical cables, will be susceptible to corrosion if additional maintenance is not performed after running in wet conditions. To maximize the long-term performance of your vehicle and to keep the warranty intact, the procedures described in the "Wet Conditions Maintenance" section below must be performed regularly if you choose to run in wet conditions. If you are not willing to perform the additional care and maintenance required, then you should not operate the vehicle in those conditions.

 **CAUTION:** Failure to exercise caution while using this product and complying with the following precautions could result in product malfunction and/or void the warranty.

GENERAL PRECAUTIONS

- Read through the wet conditions maintenance procedures and make sure that you have all the tools you will need to properly maintain your vehicle.
- Not all batteries can be used in wet conditions. Consult the battery manufacturer before use. Caution should be taken when using Li-Po batteries in wet conditions.
- Most transmitters are not water-resistant. Consult your transmitter's manual or the manufacturer before operation.
- Never operate your transmitter or vehicle where lightning may be present.
- Do not operate your vehicle where it could come in contact with salt water (ocean water or water on salt-covered roads), contaminated or polluted water. Salt water is very conductive and highly corrosive, so use caution.

- Even minimal water contact can reduce the life of your motor if it has not been certified as water-resistant or waterproof. If the motor becomes excessively wet, apply very light throttle until the water is mostly removed from the motor. Running a wet motor at high speeds may rapidly damage the motor.
- Driving in wet conditions can reduce the life of the motor. The additional resistance of operating in water causes excess strain. Alter the gear ratio by using a smaller pinion or larger spur gear. This will increase torque (and motor life) when running in mud, deeper puddles, or any wet conditions that will increase the load on the motor for an extended period of time.

WET CONDITIONS MAINTENANCE

- Drain any water that has collected in the tires by spinning them at high speed. With the body removed, place the vehicle upside down and pull full throttle for a few short bursts until the water has been removed.



CAUTION: Always keep hands, fingers, tools and any loose or hanging objects away from rotating parts when performing the above drying technique.

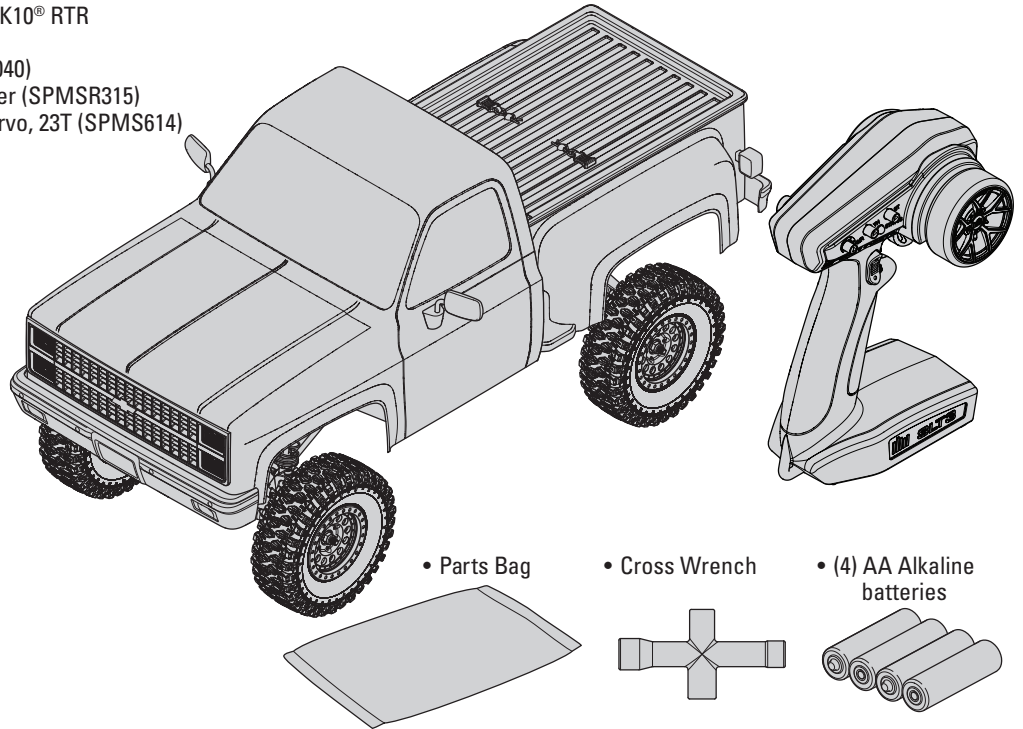
- Remove the battery pack(s) and dry the contacts. If you have an air compressor or a can of compressed air, blow out any water that may be inside the recessed connector housing.
- Remove the tires/wheels from the vehicle and gently rinse the mud and dirt off with a garden hose. Avoid rinsing the bearings and transmission.

NOTICE: Never use a pressure washer to clean your vehicle.

- Use an air compressor or a can of compressed air to dry the vehicle and help remove any water that may have gotten into small crevices or corners.
- Spray the bearings, drive train, fasteners and other metal parts with a water-displacing light oil. Do not spray the motor.
- Let the vehicle air dry before you store it. Water (and oil) may continue to drip for a few hours.
- Increase the frequency of disassembly, inspection and lubrication of the following:
 - Front and rear axle hub assembly bearings.
 - All transmission cases, gears and differentials.
 - Motor—clean with an aerosol motor cleaner and re-oil the bushings with lightweight motor oil.

BOX CONTENTS

- Spektrum™ SLT3 3 Channel 2.4GHz Transmitter (SPMRSLT300)
- Axial® SCX10™ III Proline® '82 Chevy® K10® RTR
 - 35T Electric Motor (DYNS1216)
 - 40A Smart Brushed ESC (SPMXSE1040)
 - Spektrum DSMR® 3 Channel Receiver (SPMSR315)
 - Water Proof Metal Gear Surface Servo, 23T (SPMS614)
 - (4) AA Alkaline batteries

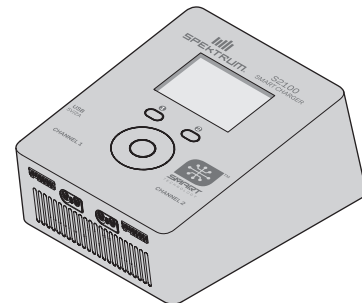
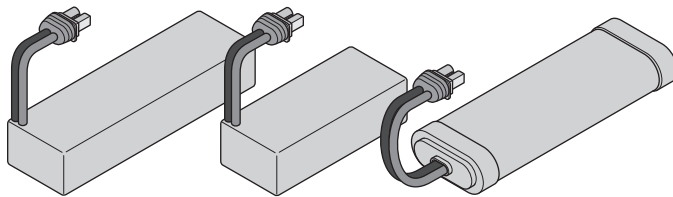


- Parts Bag
- Cross Wrench
- (4) AA Alkaline batteries

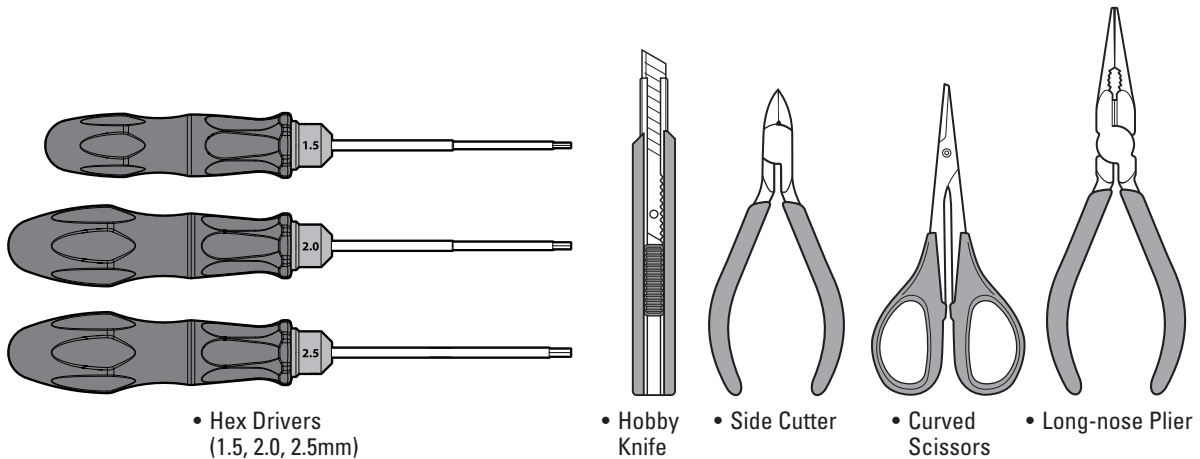
REQUIRED EQUIPMENT

- 2-3S Standard or "Shorty" LiPo Battery
- OR**
- 5-9 Cell NiMH/NiCd battery
(IC3® Connector Required)

- Battery charger compatible with the chosen vehicle battery type



RECOMMENDED TOOLS



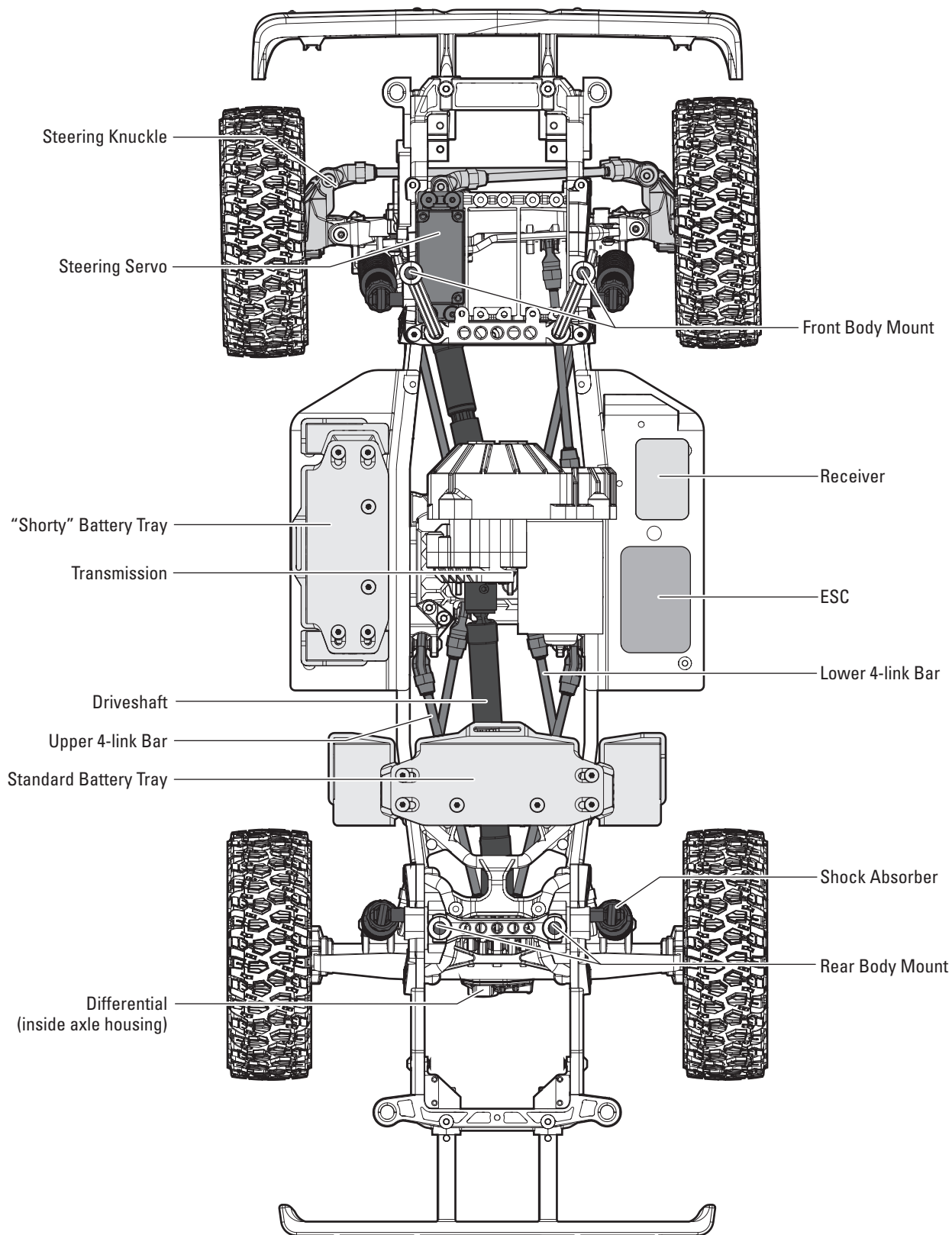
- Hex Drivers (1.5, 2.0, 2.5mm)

- Hobby Knife
- Side Cutter
- Curved Scissors
- Long-nose Plier

GETTING STARTED CHECKLIST

Read the manual	Power on the transmitter
Familiarize yourself with the vehicle and its components	Install the vehicle battery in the vehicle
Check all screws, especially the driveshaft setscrews, for tightness from the factory	Check for proper function of the throttle and steering
Charge the vehicle battery	Range check the radio system
Install 4 AA batteries in the transmitter	Drive the vehicle, challenge yourself and have FUN!
	Perform any necessary vehicle maintenance

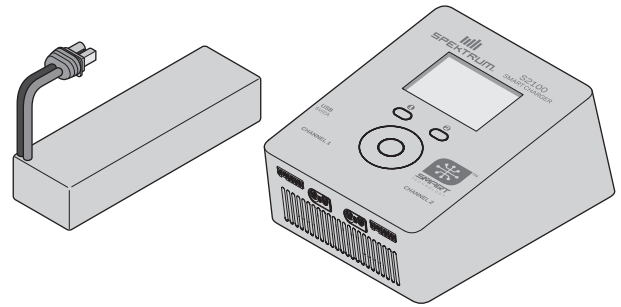
VEHICLE PARTS



CHARGE THE VEHICLE BATTERY

Follow the manufacturer's directions for your charger to properly charge the vehicle battery.

CAUTION: Only use chargers designed to charge the chosen battery type. Using an incorrect charger or incorrect charger settings could cause the battery to catch fire or explode.



INSTALL THE TRANSMITTER BATTERIES

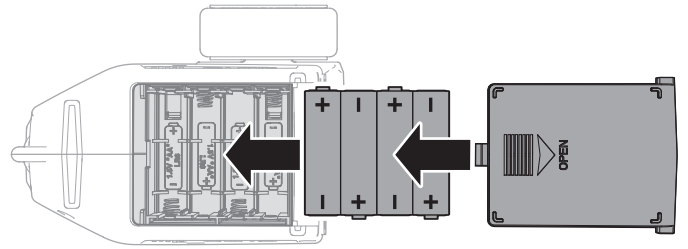
This transmitter requires 4 AA batteries.

1. Remove the battery cover from the transmitter.
2. Install the batteries as shown.
3. Install the battery cover.

CAUTION: NEVER remove the transmitter batteries while the model is powered on. Loss of model control, damage, or injury may occur.

CAUTION: If using rechargeable batteries, charge only rechargeable batteries. Charging non-rechargeable batteries may cause the batteries to burst, resulting in injury to persons and/or damage to property.

CAUTION: Risk of explosion if battery is replaced by an incorrect type. Dispose of used batteries according to national regulations.



TRANSMITTER FUNCTIONS

SPECIFICATIONS

Power Supply: 4 AA Batteries

Operating Frequency: 2.4GHz

Transmit Power: <100mw

Control Protocol: SLT

Control: Proportional Steering and Throttle/Brake with Trim Knobs, Third Channel with 3 Position Momentary Switch

Auxiliary Functions: 3 Position Throttle Limit Switch, Steering Rate Knob to Change Steering Travel on-the-fly, Programmable Servo Travel for Steering and Throttle/Brake

A. Throttle Trim

Adjusts the throttle neutral point

B. Steering Trim

Adjusts the steering center point. Normally, the steering trim is adjusted until the vehicle tracks straight.

C. LED

- Solid red lights: Indicates the power is ON and adequate battery power
- Flashing red lights: Indicates the battery voltage is critically low. Replace batteries

D. Steering Wheel

E. Throttle/Brake

F. Steering Rate

On-The-Fly knob for travel adjustment on the steering

G. Channel 3

3 position momentary switch, middle position is neutral

For programming press up for A button, press down for B button

H. Throttle Limit

Limits throttle output to 50/75/100%

Select 50% or 75% for less experienced drivers or when you are driving the vehicle in a small area.

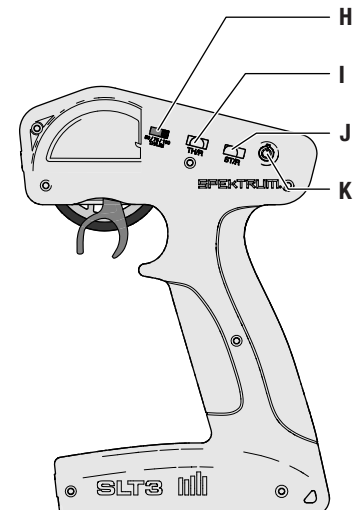
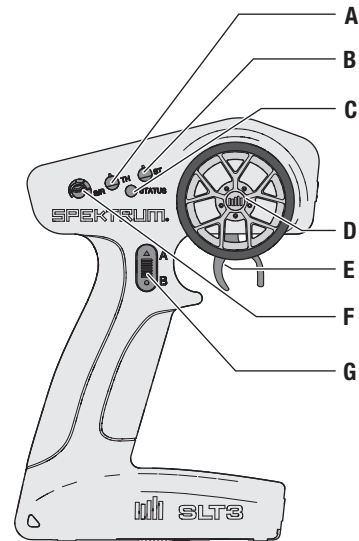
I. Throttle (TH) Servo Reversing

Move the switch to reverse the throttle channel

J. Steering (ST) Servo Reversing

Move the switch to reverse the steering channel

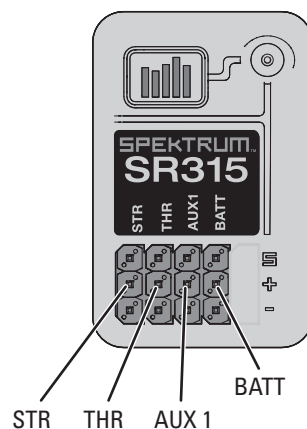
K. Power Button



SPMSR315 DUAL PROTOCOL RECEIVER

SPECIFICATIONS

Type	Dual Protocol 3 Ch Receiver (SLT/DSMR)
Dimensions (L x W x H)	32.5 x 21.5 x 12.4mm
Antenna Length	90mm
Channels	3
Weight	6g
Band	2.4GHz
Voltage Range	3.5–9.6V
Bind Type	Button

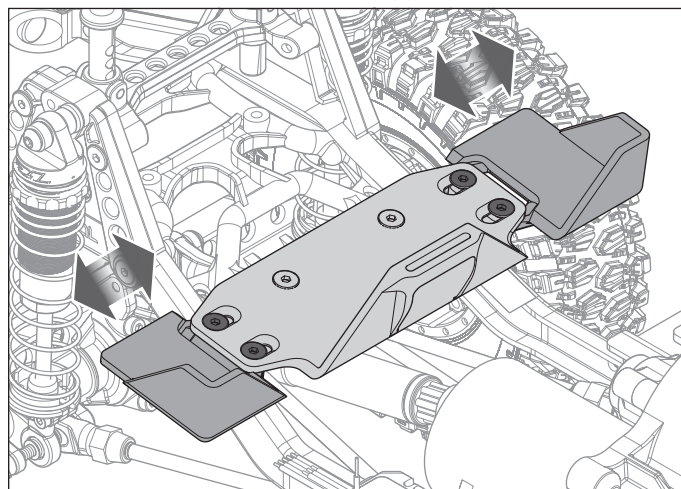


ADJUSTING THE VEHICLE BATTERY TRAY

The battery trays may be adjusted to fit a wide range of battery sizes. The rear battery tray is shown in the illustration. The side battery tray is adjustable in the same manner.

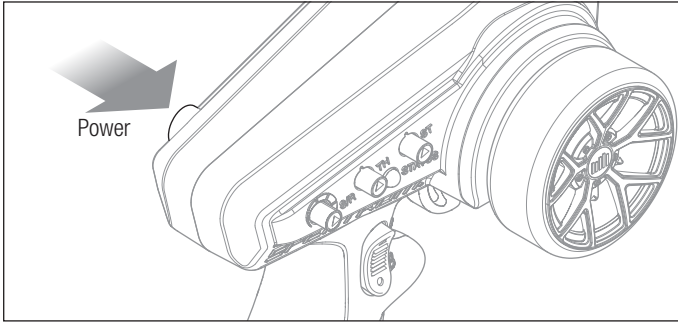
To adjust the battery tray:

1. Loosen the four flathead screws shown in the illustration.
2. Slide the ends of the battery tray in or out to fit the desired battery.
3. Tighten the four flathead screws. Do not over-tighten the screws.

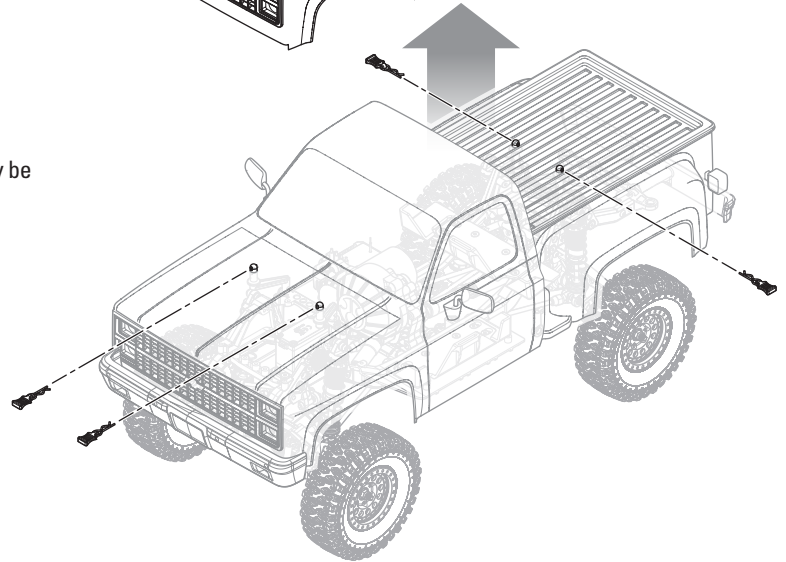
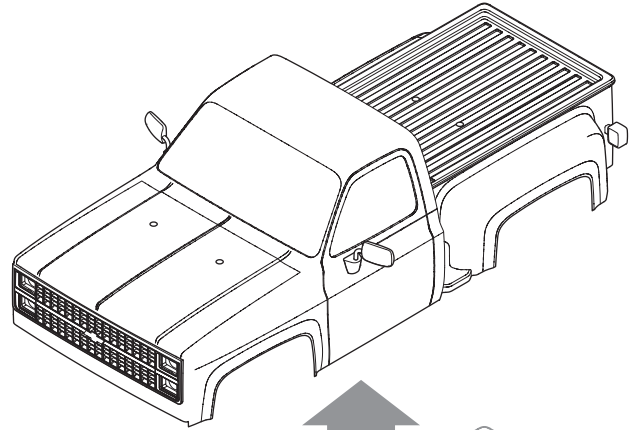


INSTALL THE VEHICLE BATTERY

The following steps show the installation of a standard size battery in the rear battery tray of the vehicle. If you wish to use a "shorty" style battery, it should be installed in the side battery tray location.



1. Power on the transmitter.
2. Remove the four body clips from the body.
3. Lift the body from the chassis.
4. Place the battery in the battery tray. The battery tray length may be adjusted to fit the battery as described in the previous section.



5. Secure the battery to the tray with the hook and loop strap.
6. Connect the battery to the ESC.
7. Re-install the body and four body clips to the chassis.

NOTICE: Always disconnect the battery from the ESC before powering off the transmitter. Loss of vehicle control may result.

BINDING

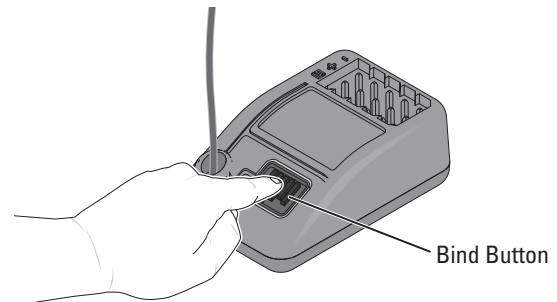
Binding is the process of programming the receiver to recognize the GUID (Globally Unique Identifier) code of a single specific transmitter.

Failsafe: Hold the steering wheel and throttle trigger in the desired failsafe positions during binding

1. Press and hold the bind button.
2. Power ON the receiver. The orange LED will begin to flash.
3. Set the trims and control positions at the desired failsafe settings.
4. Power ON the SLT3 transmitter.
5. When the transmitter's orange LED remains lit, it is connected to SR315 receiver.

You must rebind when:

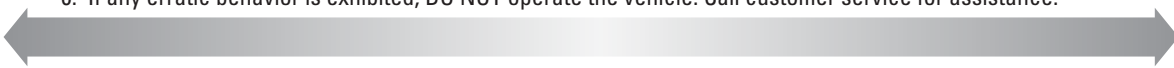
- Different failsafe positions are desired (e.g., when throttle or steering reversing has changed).
- Binding the receiver to a different transmitter.



RANGE-CHECKING THE RADIO SYSTEM

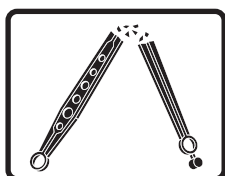
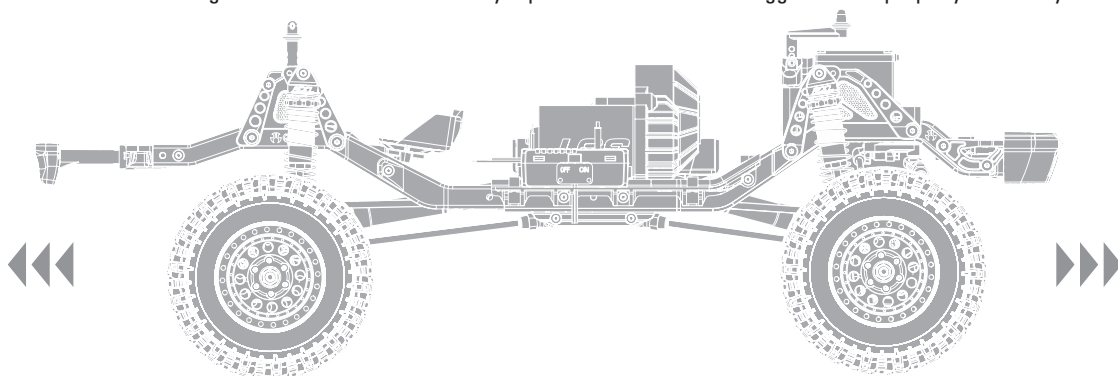
The radio system should be checked before operating the vehicle to ensure proper operation and adequate range.

1. Turn on the transmitter.
2. Connect the battery in the vehicle.
3. Have a friend hold the vehicle while keeping hands and loose clothing away from moving parts.
4. Walk away until you are at the maximum planned operating distance from the vehicle.
5. Turn the steering wheel side to side and operate the throttle, both forward and reverse, checking for any erratic behavior.
6. If any erratic behavior is exhibited, DO NOT operate the vehicle. Call customer service for assistance.

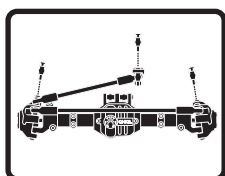


VEHICLE MAINTENANCE

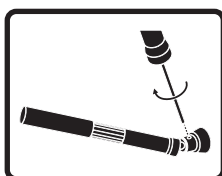
Just like a full size car or truck your RC vehicle must undergo periodic maintenance in order to ensure peak performance. Preventative maintenance will also help avoid needless breakages which could result in costly repairs. Below are some suggestions to properly maintain your vehicle.



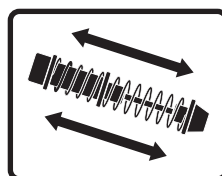
Replace any noticeable bent or broken parts



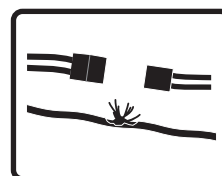
Check for wear on the ball joints in the steering and suspension links (replace if necessary)



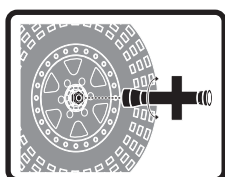
Check driveshaft set screws and apply thread locking compound if necessary



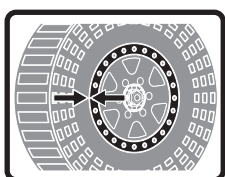
Inspect shock absorbers for smooth damped operation



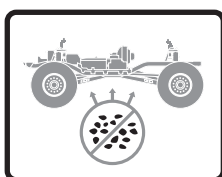
Check for any loose connections or frayed wiring



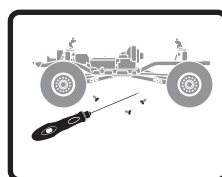
Check the wheel nuts for tightness



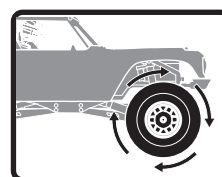
Ensure the wheel beads are still firmly bonded around the entire circumference of the rim



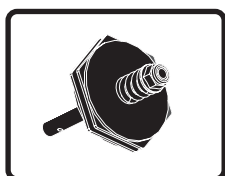
Keep the chassis free of dirt and debris



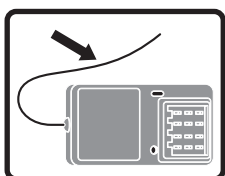
Check for loose screws on the chassis, especially the knuckle, C-hub and axle lockout screws



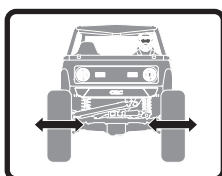
Check the driveline for smooth, bind free operation



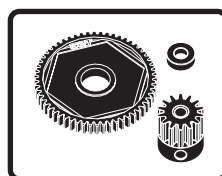
If applicable, check the slipper clutch for proper operation



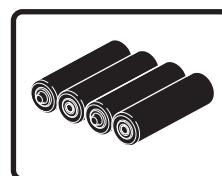
Check the receiver antenna for damage



Check the steering operation for any binding

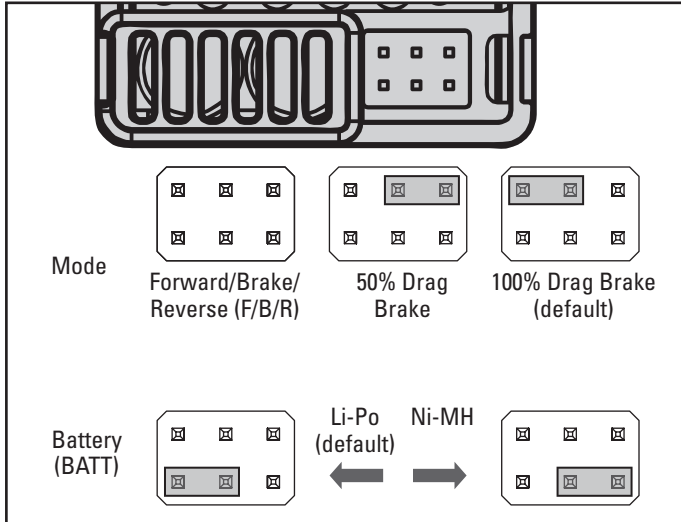
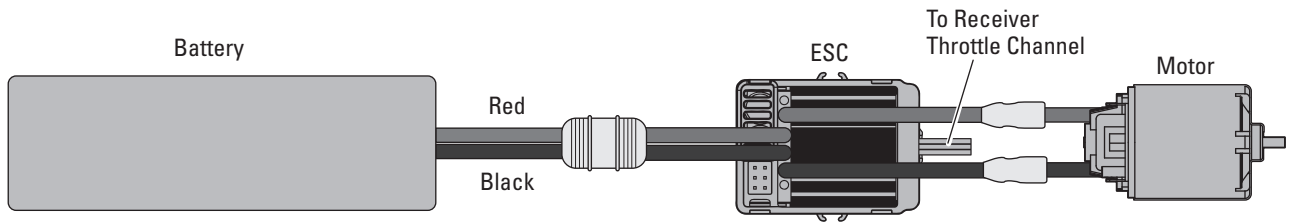


Inspect the spur and pinion gears for damage



Replace the transmitter batteries when indicated by the transmitter, as described in the Transmitter Functions section

FIRMA 40A BRUSHED ESC



SPECIFICATIONS	
Type	Brushed
Constant/Peak	40A/180A
Resistance	0.002 Ohms
Function	Forward/Brake/Reverse, Forward/Brake, Forward/Reverse (Crawler Mode)
Vehicle Type	1/10 on-road and off-road; 1/10 rock crawler
Operation	Proportional forward, proportional reverse with braking delay, Crawler Mode
Battery Type/Input Voltage	2-3 cell Li-Po/Li-Fe; 5-9 cell Ni-MH/Ni-Cd
Motor Type	2S Li-Po down to 12T; 3S Li-Po down to 18T
BEC Output	6V/3A
Dimensions	46.5mm x 34mm x 28.5mm (1.8 x 1.3 x 1.1 in)
Weight	70g (2.5 oz)
Battery Connector	IC3™ connector

SOUND INDICATOR	
OPERATION	SOUND
Ni-MH/Ni-CD Battery	1 Short Beep
2S Li-Po Battery	2 Short Beeps
3S Li-Po Battery	3 Short Beeps
ESC Ready	1 Long Beep

SETUP

- Throttle calibration should not be needed out of the box. However, in order to make the throttle range of different transmitters, the calibration of the ESC is necessary:
- Mount the ESC in an area that is well ventilated and isolated from vibration and shock.
 - Connect the ESC motor wires to the motor red-to-red and black-to-black.
 - Plug the receiver into the throttle channel of the receiver.
 - Before plugging the battery into the ESC, make sure your transmitter is on and the throttle trim is set to zero.
 - Connect the battery to the ESC. The vehicle will be powered on when the battery is connected.

- ⚠ **CAUTION:** Keep all body parts and loose clothing away from any moving parts while the battery is connected to the ESC.
- ⚠ **CAUTION:** Always connect the ESC only to a proper power source that has the correct voltage and polarity. Incorrect voltages or reversed polarity will damage the ESC. Damage to the ESC caused by improper voltage or polarity is not covered under warranty.

- Test forward and reverse control using the transmitter.

TO CALIBRATE THE ESC:

- Power the transmitter on and set the throttle control to neutral.
- Connect the battery to the ESC and wait 3 seconds to let the ESC initiate a self-test and automatic throttle calibration.
- The ESC is ready to run when a long beep sound is emitted from the motor.
- Always disconnect the battery when the vehicle is not in use.

IMPORTANT: The LiPo cut-off is set to "ON" and the drag brake is set to 100% from the factory.

GEAR RATIOS

SPUR/PINION GEAR RATIO CHART - LCX TRANSMISSION							
	12	13	14 (stock)	15	16	17	18
Portal Axles (stock)	55.1	50.9	47.2	44.1	41.3	38.9	36.7
Standard Axles (optional)	30.5	28.1	26.1	24.4	22.9	21.5	20.3

TROUBLESHOOTING

PROBLEM	POSSIBLE CAUSE	SOLUTION
The system will not connect	Your transmitter and receiver are too close together	Move transmitter 8 to 12 feet away from receiver
	You are near metal objects	Move to an area with less metal
	The receiver is bound to a different model memory	Make sure the correct model memory is active in your transmitter
	Your transmitter was placed into bind mode and is no longer bound to your receiver	Rebind your transmitter and receiver, and then re-calibrate
The receiver goes into failsafe a short distance away from the transmitter	Check for damage on the receiver antenna	Make sure your receiver antenna is protected and located as high as practical Replace the receiver or contact Horizon Product Support
	Low receiver battery voltage. If the battery voltage is low, it may drop below 3.5V momentarily, causing the receiver to brown-out, then reconnect	Charge the receiver or vehicle battery. Spektrum receivers require at least 3.5V to operate
The receiver stops responding during operation	Loose or damaged wires or connectors between battery and receiver	Check the wires and connection between the battery and receiver. Repair or replace wires and/or connectors
	Batteries are not installed properly in the transmitter	Ensure the transmitter batteries are properly installed
Vehicle does not move	Weak or no battery in the vehicle	Install a freshly charged vehicle battery
	Damaged motor	Replace the motor
	Frayed or broken wiring	Replace any damaged wiring
	ESC is shut down by heat protection circuit	Allow the ESC to cool down completely
Loss of vehicle control	Improper antenna placement	Ensure the transmitter antenna is not blocked and the receiver antenna is located properly
	Weak or no batteries in the transmitter or vehicle	Install a freshly charged vehicle battery and new transmitter batteries
	Neutral or trim position is incorrect	Adjust the steering trim
	Receiver and/or battery not connected properly	Check all receiver and battery connections
Steering and/or throttle function is reversed	Servo travel is reversed at the transmitter	Set the transmitter servo reversing switch to the correct position
	Motor wires are not connected properly	Check all motor wires for correct polarity and secure connection
ESC ON - No motor function, audible tone or LED	Battery/connection issue	Recharge/replace battery. Secure all connections
	Damaged ESC	Repair/replace ESC
	Damaged motor	Repair/replace
Motor- Stops and LED blinks	Low voltage protection	When the ESC LED blinks, recharge/replace battery
	Overheat protection	When the LED blinks, let motor/ESC cool, change set up or gearing to avoid overheating
Motor- Accelerates irregularly	Battery issue	Repair damaged wiring/replace battery
	Incorrect gearing	Adjust/replace gearing
	Worn or damaged motor	Repair/replace motor
Motor- Does not turn continuously in response to throttle	ESC/motor damaged	Repair/replace wiring or motor/ESC
Motor- Slows but will not stop	Incorrect transmitter/ESC calibration	Adjust throttle travel/other throttle settings on the transmitter/ESC. Repeat the ESC Calibration Procedure
Steering servo- Operates; motor does not run	Damaged motor	Test the motor apart from the vehicle system, repair/replace motor as needed
	Incorrect transmitter/ESC calibration	Adjust throttle travel/other throttle settings on the transmitter/ESC. Repeat the ESC Calibration Procedure
Steering/motor- not functioning	Low battery voltage	Recharge/replace
	Wrong model memory selected on transmitter	Select correct model settings on your transmitter, refer to transmitter and/or receiver manual
	Receiver not bound to transmitter	Bind transmitter to receiver, refer to transmitter and/or receiver manual
Vehicle- Does not operate at full speed	Battery issue	Recharge/replace
	Incorrect transmitter/ESC calibration	Adjust throttle travel/other throttle settings on the transmitter/ESC. Repeat the ESC Calibration Procedure

LIMITED WARRANTY

What this Warranty Covers

Horizon Hobby, LLC, (Horizon) warrants to the original purchaser that the product purchased (the "Product") will be free from defects in materials and workmanship for a period of 2 years from the date of purchase.

What is Not Covered

This warranty is not transferable and does not cover (i) cosmetic damage, (ii) damage due to acts of God, accident, misuse, abuse, negligence, commercial use, or due to improper use, installation, operation or maintenance, (iii) modification of or to any part of the Product, (iv) attempted service by anyone other than a Horizon Hobby authorized service center, (v) Product not purchased from an authorized Horizon dealer, or (vi) Product not compliant with applicable technical regulations or (vii) use that violates any applicable laws, rules, or regulations.

OTHER THAN THE EXPRESS WARRANTY ABOVE, HORIZON MAKES NO OTHER WARRANTY OR REPRESENTATION, AND HEREBY DISCLAIMS ANY AND ALL IMPLIED WARRANTIES, INCLUDING, WITHOUT LIMITATION, THE IMPLIED WARRANTIES OF NON-INFRINGEMENT, MERCHANTABILITY AND FITNESS FOR A PARTICULAR PURPOSE. THE PURCHASER ACKNOWLEDGES THAT THEY ALONE HAVE DETERMINED THAT THE PRODUCT WILL SUITABLY MEET THE REQUIREMENTS OF THE PURCHASER'S INTENDED USE.

Purchaser's Remedy

Horizon's sole obligation and purchaser's sole and exclusive remedy shall be that Horizon will, at its option, either (i) service, or (ii) replace, any Product determined by Horizon to be defective. Horizon reserves the right to inspect any and all Product(s) involved in a warranty claim. Service or replacement decisions are at the sole discretion of Horizon. Proof of purchase is required for all warranty claims. SERVICE OR REPLACEMENT AS PROVIDED UNDER THIS WARRANTY IS THE PURCHASER'S SOLE AND EXCLUSIVE REMEDY.

Limitation of Liability

HORIZON SHALL NOT BE LIABLE FOR SPECIAL, INDIRECT, INCIDENTAL OR CONSEQUENTIAL DAMAGES, LOSS OF PROFITS OR PRODUCTION OR COMMERCIAL LOSS IN ANY WAY, REGARDLESS OF WHETHER SUCH CLAIM IS BASED IN CONTRACT, WARRANTY, TORT, NEGLIGENCE, STRICT LIABILITY OR ANY OTHER THEORY OF LIABILITY, EVEN IF HORIZON HAS BEEN ADVISED OF THE POSSIBILITY OF SUCH DAMAGES. Further, in no event shall the liability of Horizon exceed the individual price of the Product on which liability is asserted. As Horizon has no control over use, setup, final assembly, modification or misuse, no liability shall be assumed nor accepted for any resulting damage or injury. By the act of use, setup or assembly, the user accepts all resulting liability. If you as the purchaser or user are not prepared to accept the liability associated with the use of the Product, purchaser is advised to return the Product immediately in new and unused condition to the place of purchase.

Law

These terms are governed by Illinois law (without regard to conflict of law principals). This warranty gives you specific legal rights, and you may also have other rights which vary from state to state. Horizon reserves the right to change or modify this warranty at any time without notice.

WARRANTY SERVICES

Questions, Assistance, and Services

Your local hobby store and/or place of purchase cannot provide warranty support or service. Once assembly, setup or use of the Product has been started, you must contact your local distributor or Horizon directly. This will enable Horizon to better answer your questions and service you in the event that you may need any assistance. For questions

or assistance, please visit our website at www.horizonhobby.com, submit a Product Support Inquiry, or call the toll free telephone number referenced in the Warranty and Service Contact Information section to speak with a Product Support representative.

Inspection or Services

If this Product needs to be inspected or serviced and is compliant in the country you live and use the Product in, please use the Horizon Online Service Request submission process found on our website or call Horizon to obtain a Return Merchandise Authorization (RMA) number. Pack the Product securely using a shipping carton. Please note that original boxes may be included, but are not designed to withstand the rigors of shipping without additional protection. Ship via a carrier that provides tracking and insurance for lost or damaged parcels, as Horizon is not responsible for merchandise until it arrives and is accepted at our facility. An Online Service Request is available at http://www.horizonhobby.com/content/service-center_render-service-center. If you do not have internet access, please contact Horizon Product Support to obtain a RMA number along with instructions for submitting your product for service. When calling Horizon, you will be asked to provide your complete name, street address, email address and phone number where you can be reached during business hours. When sending product into Horizon, please include your RMA number, a list of the included items, and a brief summary of the problem. A copy of your original sales receipt must be included for warranty consideration. Be sure your name, address, and RMA number are clearly written on the outside of the shipping carton.

NOTICE: Do not ship Li-Po batteries to Horizon. If you have any issue with a Li-Po battery, please contact the appropriate Horizon Product Support office.

Warranty Requirements

For Warranty consideration, you must include your original sales receipt verifying the proof-of-purchase date. Provided warranty conditions have been met, your Product will be serviced or replaced free of charge. Service or replacement decisions are at the sole discretion of Horizon.

Non-Warranty Service

Should your service not be covered by warranty, service will be completed and payment will be required without notification or estimate of the expense unless the expense exceeds 50% of the retail purchase cost. By submitting the item for service you are agreeing to payment of the service without notification. Service estimates are available upon request. You must include this request with your item submitted for service. Non-warranty service estimates will be billed a minimum of 1/2 hour of labor. In addition you will be billed for return freight. Horizon accepts money orders and cashier's checks, as well as Visa, MasterCard, American Express, and Discover cards. By submitting any item to Horizon for service, you are agreeing to Horizon's Terms and Conditions found on our website http://www.horizonhobby.com/content/service-center_render-service-center.

ATTENTION: Horizon service is limited to Product compliant in the country of use and ownership. If received, a non-compliant Product will not be serviced. Further, the sender will be responsible for arranging return shipment of the un-serviced Product, through a carrier of the sender's choice and at the sender's expense. Horizon will hold non-compliant Product for a period of 60 days from notification, after which it will be discarded.

10/15

WARRANTY AND SERVICE CONTACT INFORMATION

COUNTRY OF PURCHASE	HORIZON HOBBY	CONTACT INFORMATION	ADDRESS
United States of America	Horizon Service Center (Repairs and Repair Requests)	servicecenter.horizonhobby.com/RequestForm/	2904 Research Rd Champaign, IL 61822
	Horizon Product Support (Product Technical Assistance)	productsupport@horizonhobby.com 877-504-0233	
	Sales	websales@horizonhobby.com 800-338-4639	
European Union	Horizon Technischer Service Sales: Horizon Hobby GmbH	service@horizonhobby.eu +49 (0) 4121 2655 100	Hanskampring 9 D 22885 Barsbüttel, Germany

FCC INFORMATION

FCC ID: BRWSPMSLT300

FCC ID: BRWSRIRVINGV1

SUPPLIER'S DECLARATION OF CONFORMITY

Axial SCX10 III Proline 82 Chevy K10 RTR (AXI03029)

FC This device complies with part 15 of the FCC Rules. Operation is subject to the following two conditions: (1) This device may not cause harmful interference, and (2) this device must accept any interference received, including interference that may cause undesired operation.

CAUTION: changes or modifications not expressly approved by the party responsible for compliance could void the user's authority to operate the equipment.

NOTE: This equipment has been tested and found to comply with the limits for a Class B digital device, pursuant to part 15 of the FCC Rules. These limits are designed to provide reasonable protection against harmful interference in a residential installation. This equipment generates, uses and can radiate radio frequency energy and, if not installed and used in accordance with the instructions, may cause

harmful interference to radio communications. However, there is no guarantee that interference will not occur in a particular installation. If this equipment does cause harmful interference to radio or television reception, which can be determined by turning the equipment off and on, the user is encouraged to try to correct the interference by one or more of the following measures:

- Reorient or relocate the receiving antenna.
- Increase the separation between the equipment and receiver.
- Connect the equipment into an outlet on a circuit different from that to which the receiver is connected.
- Consult the dealer or an experienced radio/TV technician for help.

Horizon Hobby, LLC
2904 Research Rd.,
Champaign, IL 61822
Email: compliance@horizonhobby.com
Web: HorizonHobby.com

IC INFORMATION

CAN ICES-3 (B)/NMB-3(B)

IC: 6157A-SPMSLT300

IC: 6157A-SRIRVINGV1

This device contains license-exempt transmitter(s)/receiver(s) that comply with Innovation, Science, and Economic Development Canada's license-exempt RSS(s). Operation is subject to the following 2 conditions:

1. This device may not cause interference.
2. This device must accept any interference, including interference that may cause undesired operation of the device.

COMPLIANCE INFORMATION FOR THE EUROPEAN UNION

CE EU COMPLIANCE STATEMENT:

Axial SCX10 III Proline 82 Chevy K10 RTR (AXI03029)

Hereby, Horizon Hobby, LLC declares that the device is in compliance with the following: EU Radio Equipment Directive 2014/53/EU; RoHS 2 Directive 2011/65/EU; RoHS 3 Directive - Amending 2011/65/EU Annex II 2015/863.

The full text of the EU declaration of conformity is available at the following internet address: <https://www.horizonhobby.com/content/support-render-compliance>.

Wireless Frequency Range and Wireless Output Power

Transmitter

2403.0 - 2480.0 MHz
16.3 dBm

Receiver

2404-2476 MHz
-1.33dBm

EU Manufacturer of Record:

Horizon Hobby, LLC
2904 Research Road
Champaign, IL 61822 USA

EU Importer of Record:

Horizon Hobby, GmbH
Hanskampring 9
22885 Barsbüttel Germany

WEEE NOTICE:



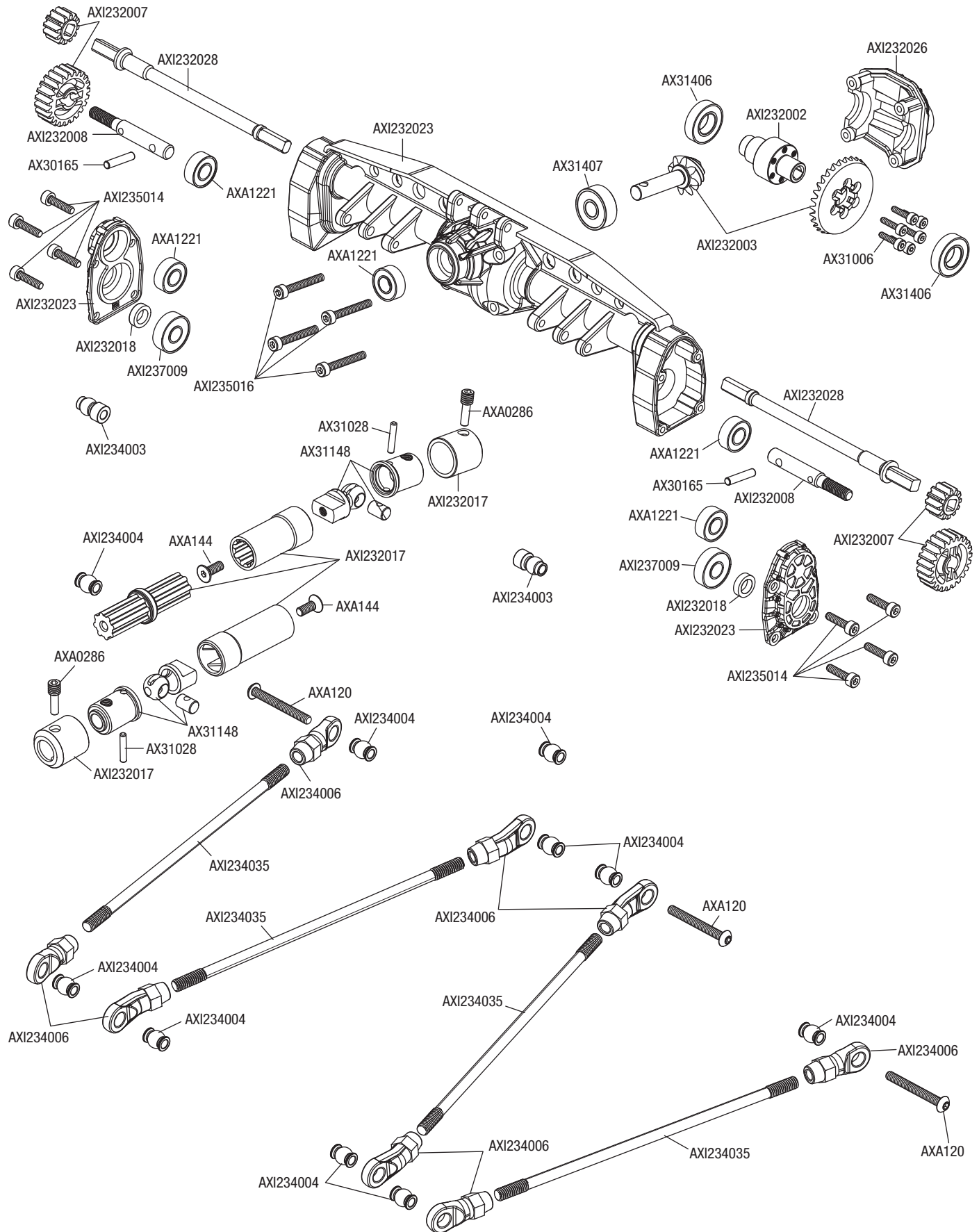
This appliance is labeled in accordance with European Directive 2012/19/EU concerning waste of electrical and electronic equipment (WEEE). This label indicates that this product should not be disposed of with household waste. It should be deposited at an appropriate facility to enable recovery and recycling.



E328

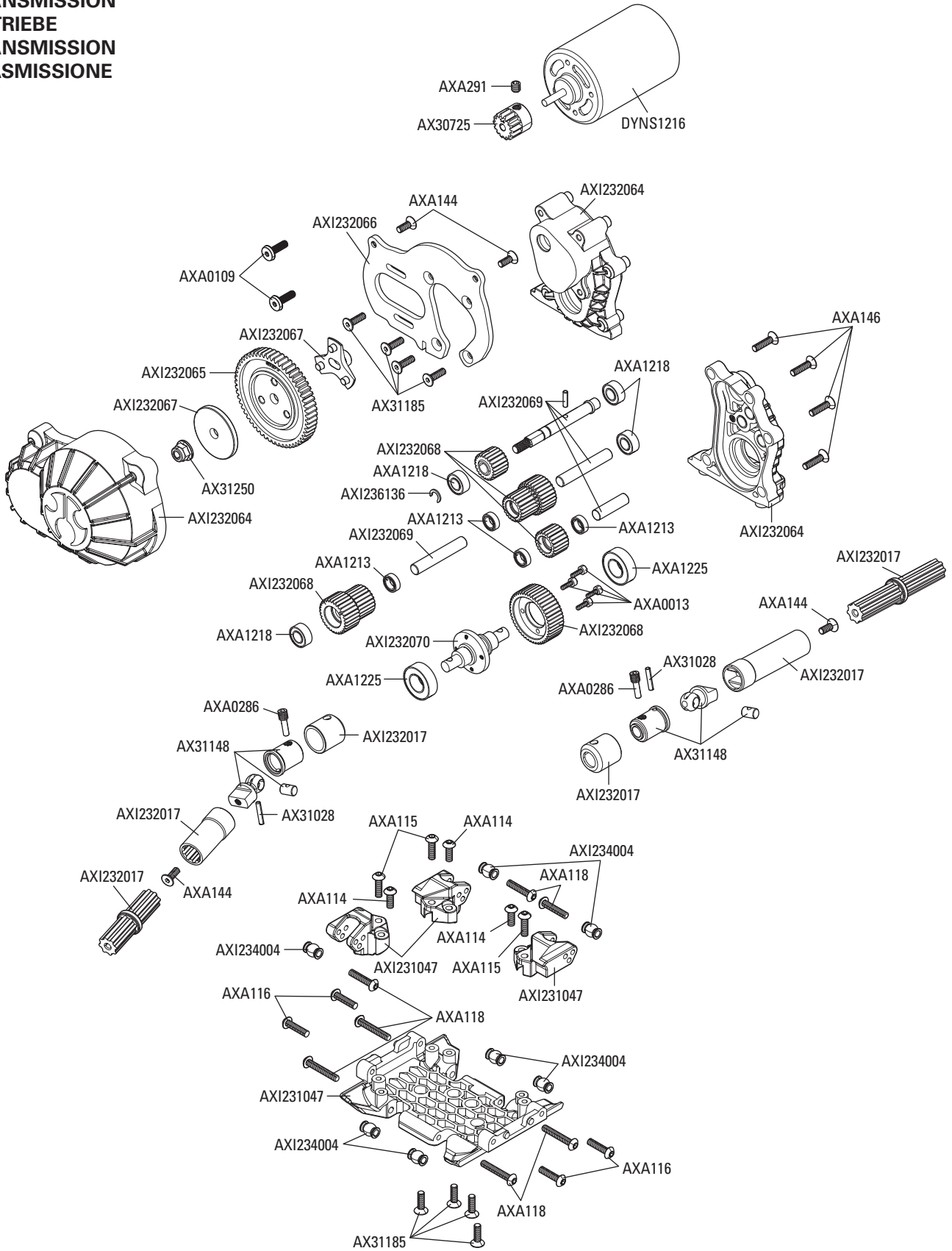
EXPLODED VIEWS // EXPLOSIONSZEICHNUNGEN // VUES ÉCLATÉES // VISTE ESPLOSE

**REAR AXLE
HINTERACHSE
ESSIEU ARRIÈRE
ASSALE POSTERIORE**



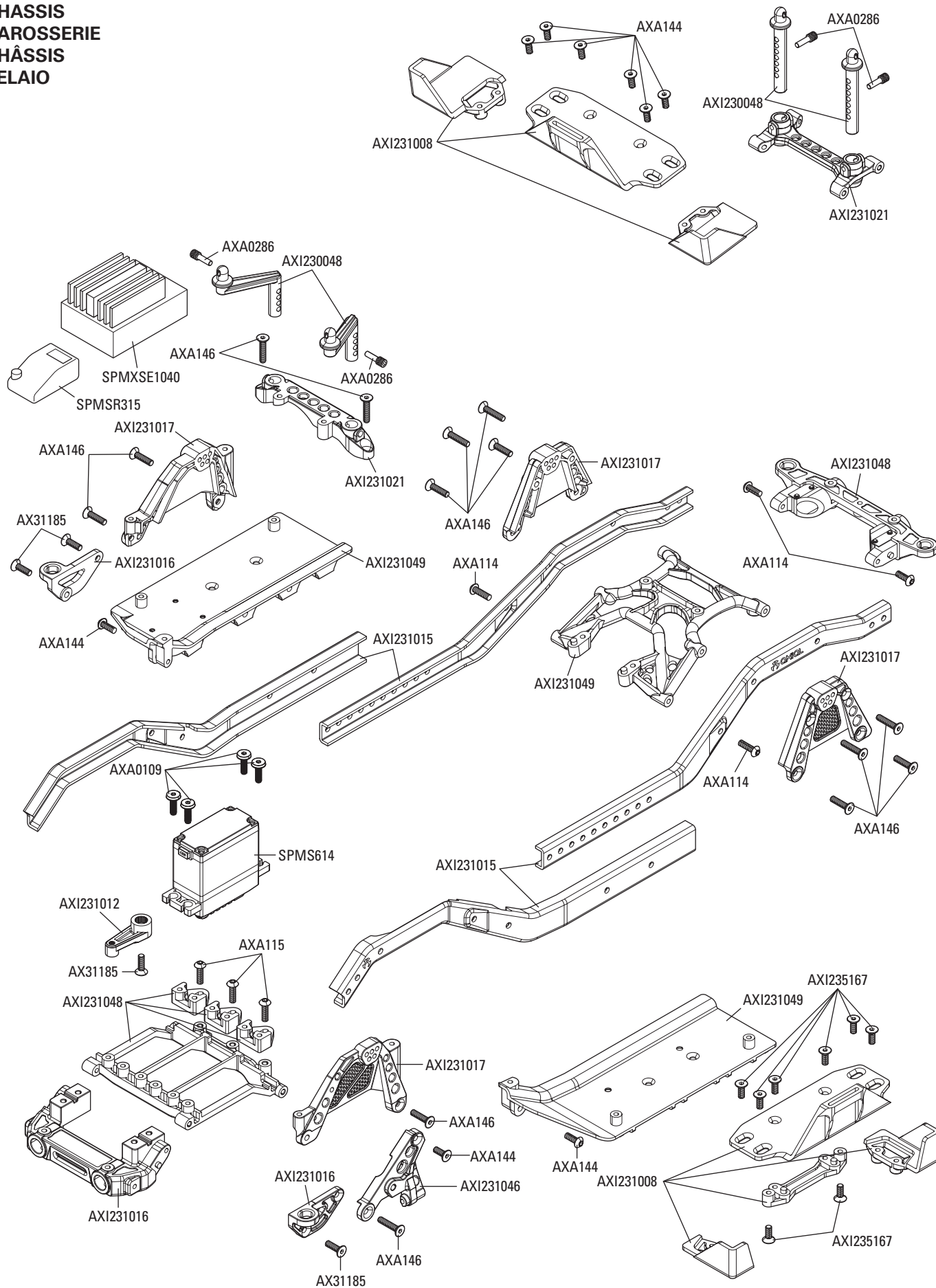
EXPLODED VIEWS // EXPLOSIONSZEICHNUNGEN // VUES ÉCLATÉES // VISTE ESPLOSE

**TRANSMISSION
GETRIEBE
TRANSMISSION
TRASMISSIONE**



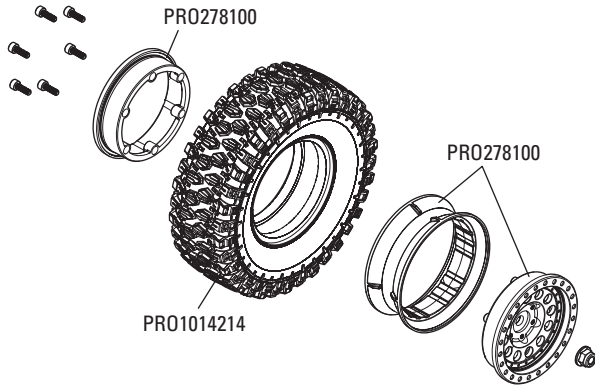
EXPLODED VIEWS // EXPLOSIONSZEICHNUNGEN // VUES ÉCLATÉES // VISTE ESPLOSE

CHASSIS
KAROSSERIE
CHÂSSIS
TELAIO

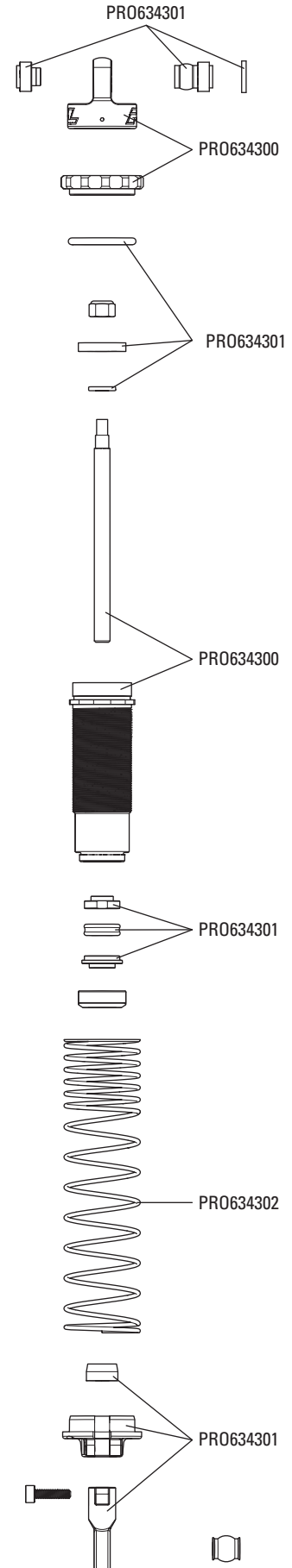


EXPLODED VIEWS // EXPLOSIONSZEICHNUNGEN // VUES ÉCLATÉES // VISTE ESPLOSE

**WHEELS AND TIRES
REIFEN UND RÄDER
ROUES ET PNEUS
RUOTE E PNEUMATICI**



**SHOCK ABSORBERS
STOSSDÄMPFER
AMORTISSEURS
AMMORTIZZATORI**



PARTS LISTS // TEILELISTEN // LISTE DES PIÈCES // ELENCO COMPONENTI

Part #	Description	Beschreibung	Description	Descrizione
ARAC9759	AR722305 Flat Head Screw 3x5mm	Sechskant-Flachkopfschraube, M3 x 5mm	Douille à six pans à tête plate M3 x 5mm	Vite a testa piana esagonale M3 x 5mm
AX31028	2 x 11mm Pin	Stift 2 x 11mmmm (6)	Axe 2 x 11mm (6)	Perno 2 x 11mm (6)
AXI230048	Body Post Set: SCX10 III BC	Gehäusestangensatz: SCX10 III BC	Ens poteaux carrosserie : SCX10 III BC	Set supporti scocca: SCX10 III BC
AXI231008	BatteryTray Set/Strap: SCX10III	Akkualterungsätze und Riemen	Ensembles de supports de batterie avec sangle	Fascette e set supporto batteria
AXI231009	Upper Center Lnk Mnts: SCX10III	Obere mittige Gestängehalterungen	Supports pour tringlerie centrale supérieure	Supporti braccetti centrali superiori
AXI231010	Cntr Trans Skid Plate: SCX10III	Mittiges Getriebe-Gleitbrett	Plaque de protection pour transmission centrale	Piastra proteggi trasmissione centrale
AXI231011	Str Mnt Chassis Brace: SCX10III	Lenkhalterung Karosseriestrebe	Support de châssis de direction	Sostegno telaio supporto sterzo
AXI231012	Servo Horn, Metal 23T: SCX10III	Servohorn, Metall 23T	Renvoi de commande de servo, métal 23T	Squadretta servo, Metallo 23T
AXI231015	Frame Rail Set: SCX10III	Rahmenschienensatz	Ensemble de rails du cadre	Set guida telaio
AXI231016	Bmpr/Bdy Mnts Chs FR/RR:SCX10III	Stoßstange/Gehäusehalterung Karosserie Front/Heck	Châssis avec supports de pare-chocs et de carrosserie AV/AR	Telaio supporti carrozzeria/ammortizzatore FR/RR
AXI231017	Shktwrs&Pnhrd Mnts Fr/RRSCX10III	Stoßdämpferbrücken und Panhard-Halterungen Front/Heck	Tours d'amortisseurs et supports Panhard AV/AR	Torre ammortizzatore e supporti Panhard FR/RR
AXI231018	Receiver Box: SCX10III	Empfängerbox	Boîtier de récepteur	Scatola ricevitore
AXI231021	Upper Shk Twr Braces: SCX10III	Obere Stoßdämpferbrückenstreben	Supports de tours d'amortisseurs supérieures	Sostegni torre ammortizzatore superiori
AXI231046	Panhard Mount, Metal: SCX10 III	Panhard-Halterungen	Supports Panhard	Supporti Panhard
AXI231047	Skd Plt &Upr Lnk Mnt:SCX10III B	Gleitbrett & Obere Verbindungshalterung:SCX10III B	Plq trans et sup tringlerie centr sup : SCX10III B	Sottoscocca & supporti bracci superiori: SCX10III B
AXI231048	Servo Mnt Brace FR: SCX10III BC	Servohalterungsstrebe vorne: SCX10III BC	Support Servo FR : SCX10III BC	Bracci supporto servo ant: SCX10III BC
AXI231049	Side Plate&Rr Brace: SCX10III B	Seitenplatte & Strebe hinten: SCX10III B	Plaque latérale et support AR : SCX10III B	Piastre laterali e rinforzi posteriori: SCX10III B
AXI232002	6-Bolt Differential Locker	6-Schrauben-Differenzial-Sicherung	Blocage différentiel à 6 boulons	Blocco differenziale 6 bulloni
AXI232003	6 Bolt Heavy Duty Gear Set	6-Schrauben-Schwerlast-Zahnradatz	Ensemble d'engrenages haute résistance à 6 boulons	Set ingranaggio impieghi gravosi 6 bulloni
AXI232017	Wild Boar Driveshaft Set: UTB	Wild Boar-Antriebswellensatz: UTB	Ensemble d'arbres de transmission Wild Boar : UTB	Set albero di trasmissione Wild Boar: UTB
AXI232018	12mm Hex Pin and Spacer (4): UTB	12-mm-Sechskantstift und Abstandhalter (4): UTB	Broche hexagonale 12mm et entretoise (4) : UTB	Distanziale e perno esagonale 12mm (4): UTB
AXI232024	AR45 Axl Hsng(Fr)SCX10III	AR45 Achsgehäuse, Front	AR45 Carter d'essieu avant	AR45 Allogg assale ant
AXI232025	AR45 Axl Hsng (Rr)SCX10III	AR45 Achsgehäuse, Heck	AR45 Carter d'essieu arrière	AR45 Allogg assale post
AXI232033	InputMtlGears 27,20,34T:SCX10III	Metallgetriebe Eingabe 27T, 20T und 34T	Engrenages métalliques d'entrée 27T, 20T et 34T	Ingranaggi in metallo ingresso 27T, 20T e 34T
AXI232059	AR45 C-Hub (L-R): SCX10	AR45 C-Hub	AR45 Moyeu de support	AR45 Supporto mozzo
AXI232060	AR45 Knuckle (L-R): SCX10 III	AR45 Lenkrolle	AR45 Rotule de direction	AR45 Fuso a snodo
AXI232061	AR45 Unvrsl Axles (2): SCX10 II	AR45 Universalachsensatz	AR45 Ensemble d'essieux universels	AR45 Set assale univ
AXI232062	AR45 Strght Axles (2): SCX10 II	AR45 Gerade Achse (2)	AR45 Essieu droit (2)	AR45 Assale dritto (2)
AXI232064	Gear Cover & Trans Housing: LCX	Fahrwerkabdeckung & Trans-Gehäuse: LCX	Cache d'engrenage et carter transmission : LCX	Carter e coperchio trasmissione: LCX
AXI232065	Spur Gear 56T 32P: LCXU	Stirnrad, 56T, 32P: LCXU	Engrenage roue droite, 56T, 32P : LCXU	Corona, 56T, 32P: LCXU
AXI232066	Motor Plate: LCXU	Motorplatte: LCXU	Plaque moteur : LCXU	Piastra motore: LCXU
AXI232067	Slipper Elimintr Hub&Plate: LCX	Slipper-Eliminator-Nabe & -Platte: LCX	Moyeu et plaque de sabot éliminateur : LCX	Piastra e mozzo elimina scorrimento: LCX
AXI232068	Transmission Metal Gear Set:LCX	Metallgetriebesatz: LCX	Ensemble de boîte de transmission métallique : LCX	Set ingr trasmissione metallo:LCX
AXI232069	Transmission Shaft Set: LCXU	Getriebewellensatz: LCXU	Ensemble arbre de transmission : LCXU	Set alberi trasmissione: LCXU
AXI232070	Trans Center Output Shaft: LCXU	Transzentrale Antriebswelle: LCXU	Arbre sortie transmis centrale : LCXU	Albero uscita trasmissione centrale: LCXU
AXI233003	Shock O-Ring Set: UTB	O-Ring-Satz für den Stoßdämpfer: UTB	Ensemble de joints toriques d'amortisseur : UTB	Set O-Ring ammortizzatore: UTB
AXI233009	Spring 13x70mm 2.0 lbs/in,(Yellow)2)	Feder 13 x 70 mm 2 lbs/in Gelb (2)	Ressort 13 x 70 mm 2 lb/po jaune (2)	Molla 13 x 70 mm 2 lbs/in Giallo (2)
AXI233031	Shock Part Composite:SCX10III B	Stoßdämpferteile, gegossen	Pièces de l'amortisseur moulées	Parti ammortizzatore stampate
AXI233032	Alum Shck Bdy11x39.5:SCX10III B	Gewinde-Stoßdämpfergehäuse Alum 11 x 39,5 mm	Corps d'amortisseur fileté aluminium 11 x 39,5 mm	Scocca ammortizzatore filettata in alluminio 11x39,5 mm
AXI234003	Pvt Ball,Stainless12.75mm(4):UTB	Kugelzapfen, Edelstahl 12,75 mm (4): UTB	Rotule, acier inoxydable 12,75mm (4) : UTB	Pivot ball, inossidabile, 12,75mm (4): UTB
AXI234004	Susp Pvt Ball, Stainless 7.5mm	Kugelzapfen für Federung, Edelstahl 7,5 mm	Rotule de suspension, acier inoxydable 7,5mm	Pivot ball sospensioni, indossabile, 7,5mm
AXI234006	HD Rod Ends M4 20pcs: UTB	Schwerlast-Stangenköpfe M4 (20): UTB	Embouts de bielle haute résistance M4 (20) : UTB	Teste a snodo per impiego gravoso M4 (20): UTB
AXI234035	Susp Link Set 313WB: SCX10III B	Aufhängungsverbindungssatz 313WB: SCX10III B	Jeu de bras de suspension 313WB : SCX10III B	Set bracci sospensioni 313WB: SCX10III B
AXI235014	M2.5 x 10mm, Cap Head Screw (10	Inbusschraube, M2,5 x 10mm (10)	Vis d'assemblage creuse, M2,5 x 10mm (10)	Vite a testa cilindrica M2,5 x 10mm (10)
AXI235099	M2.5 x 10mm, Button Head (10)	Rundkopfschraube, M2,5 x 10mm (10)	Vis à tête bombée, M2,5 x 10mm (10)	Vite a testa tonda M2,5 x 10mm (10)
AXI235109	M3 x 14mm, Button Head Screw(10	Rundkopfschraube, M3 x 14mm (10)	Vis à tête bombée, M3 x 14mm (10)	Vite a testa tonda M3 x 14mm (10)
AXI235110	M3 x 16mm, Button Head Screw(10	Rundkopfschraube, M3 x 16mm (10)	Vis à tête bombée, M3 x 16mm (10)	Vite a testa tonda M3 x 16mm (10)

Part #	Description	Beschreibung	Description	Descrizione
AXI235178	M3 x 14mm, Flat Head Screw (10)	Sechskant-Flachkopfschraube, M3 x 14mm, schwarz (10)	Douille à six pans à tête plate M3 x 14mm noire (10)	Vite a testa piana esagonale M3 x 14mm nero (10)
AXI235230	M2.5 x 18mm Cap Head Screw (10)	Inbusschraube, M2,5 x 18mm (10)	Vis d'assemblage creuse, M2,5 x 18mm (10)	Vite a testa cilindrica M2,5 x 18mm (10)
AXI236136	C-Clip, 5mm (10)	C-Clip, 5mm (10)	C-Clip, 5mm (10)	C-Clip, 5mm (10)
AXI236172	Screw Shaft M3x2.0x12mm	Schraubenschaft M3 x 2,0 x 12 mm	Tige de vis M3 x 2 x 12 mm	Albero filettato M3x2x12mm
AXI237009	5mmx13mmx4mm Ball Bearing (2)	Lager 5mm x 13mm x 4mm (2)	Roulement 5mm x 13mm x 4mm (2)	Cuscinetto 5mm x 13mm x 4mm (2)
PRO1014214	1/10 Class 1 Hyrax G8 Front/Rear 1.9" Rock Crawling Tires (2)	1/10 Klasse 1 Hyrax G8 Front/Heck 1.9" Rock Crawling Reifen (2)	Pneus d'avancée sur les roches 1,9 po avant/arrière Hyrax G8 catégorie 1 1/10 (2)	Ruote 1/10 Class 1 Hyrax G8 ant/post 1.9" Rock Crawling (2)
PRO278100	1/10 Rock Shooter Aluminum Front/Rear 1.9" 12mm Crawling Wheels (2)	1/10 Rock Shooter Aluminum Front/Heck 1.9" 12mm Crawling Räder (2)	Roues d'avancée 12 mm 1,9 po avant/arrière en aluminium Rock Shooter 1/10 (2)	Cerchi 1/10 Rock Shooter alluminio ant/post 1.9" 12 mm Crawling (2)
AXIC0012	AXA120 Hex Socket Btn Hd M3x25	AXA120 Innensechskantschraube, Rundkopf, M3 x 25	AXA120 Douille hexagonale à tête bombée M3 x 25	AXA120 Vite cil esag inc M3x25
AXIC0013	AXA013 Cap Hd M2x6mm Blk Oxide	AXA013 Kappenkopf M2 x 6 mm, Schwarz, Oxid	AXA013 Vis d'assemblage creuse M2x6mm brunie	AXA013 Viti testa tonda M2x6 mm nero ossido
AXIC0114	AXA114 Hex Skt Butn Hd M3x8mm	AXA114 Innensechskantschraube, Rundkopf, M3 x 8 mm	AXA114 Douille hexagonale à tête bombée M3 x 8 mm	AXA114 Vite cil esag inc M3x8 mm
AXIC0115	AXA115 Hex Skt Butn Head M3x10	AXA115 Innensechskantschraube, Rundkopf, M3 x 10 mm	AXA115 Douille hexagonale à tête bombée M3 x 10	AXA115 Vite cil esag inc M3x10 mm
AXIC0116	AXA116 Hex Skt Butn Hd M3x12mm	AXA116 Innensechskantschraube, Rundkopf, M3 x 12 mm	AXA116 Douille hexagonale à tête bombée M3 x 12 mm	AXA116 Vite cil esag inc M3x12 mm
AXIC0118	AXA144 Hex Flt Hd M3x8mm Blk10	AXA144 Innensechskantschraube, Flachkopf M3 x 8 mm Schwarz 10	AXA144 Douille hexagonale à tête plate M3 x 8 mm noire 10	AXA144 Vite piatta esag M3x8 mm nero (10)
AXIC0146	AXA146 Hex Skt Flat Hd M3x12mm	AXA146 Innensechskantschraube, Flachkopf, M3 x 12 mm	AXA146 Douille hexagonale à tête plate M3 x 12 mm	AXA146 Vite piatta esag inc M3x12 mm
AXIC0218	AXA1218 Bearing 5x10x4mm	AXA1218 Lager 5 x 10 x 4 mm	AXA1218 Roulement 5 x 10 x 4 mm	AXA1218 Cuscinetto 5x10x4 mm
AXIC0221	AXA1221 Bearing 5x11x4mm	AXA1221 Lager 5 x 11 x 4 mm	AXA1221 Roulement 5 x 11 x 4 mm	AXA1221 Cuscinetto 5x11x4 mm
AXIC0225	AXA1225 Bearing 8x16x5mm	AXA1225 Lager 8x16x5mm	AXA1225 Roulement 8x16x5mm	AXA1225 Cuscinetto 8x16x5mm
AXIC0230	AXA1230 Bearing 10x15x4mm	AXA1230 Lager 10 x 15 x 4 mm	AXA1230 Roulement 10 x 15 x 4 mm	AXA1230 Cuscinetto 10 x 15 x 4 mm
AXIC0286	AXA0286 Screw Shaft M4x2.5x12	Schraubenschaft M4 x 2,5 x 12 mm	Tige de vis M4 x 2,5 x 12mm	Albero filettato M4 x 2.5 x 12mm
AXIC0291	AXA291 Set Scr M4x4mm Blk Ox(6)	AXA291 Schraubensatz M4 x 4 mm, Schwarz, Oxid	AXA291 Vis de fixation M4 x 4 mm brunie	AXA291 Grano M4 x 4 mm nero ossido
AXIC0392	AXA1392 E-clip E2 (10)	E-Clip E2 (10)	E-Clip, E2 (10)	E-Clip, E2 (10)
AXIC0569	AX30569 Pinion 48P 14T Steel	Ritzel 48P 14T Stahl	Pignon 48P 14T en acier	Pignone 48P 14T acciaio
AXIC1009	AXA0109 Hex Skt Oversize M3x10mm	AXA0109 Innensechskantschraube, Übergröße, M3 x 10 mm	AXA0109 Douille hexagonale surdimensionnée M3 x 10 mm	AXA0109 Viti oversize esag inc M3x10 mm
AXIC1028	AX31028 Pin 2.0x11mm (6)	Stift 2 x 11mm (6)	Axe 2 x 11mm (6)	Perno 2 x 11mm (6)
AXIC1059	AXA1059 Body Clip 6mm Black(10)	AXA1059 Karosserieklemmen 6 mm (10)	AXA1059 Clips de carrosserie 6 mm (10)	AXA1059 Clip carrozzeria 6 mm (10)
AXIC1120	AX31120 Hex Skt Flat 3x10mm(10)	Sechskant-Flachkopfschraube, M3 x 10mm (10)	Douille à six pans à tête plate M3 x 10mm (10)	Vite a testa piana esagonale M3 x 10mm (10)
AXIC1148	AX31148 Wb8-hd Drvshft Coupler	WB8-HD Antriebswelle Koppler-Satz	Ensemble de coupleur d'arbre de transmission WB8-HD	Set accoppiatore dell'albero di trasmissione WB8-HD
AXIC1180	AXA118 Hex Socket BtnHd M3x18mm(10)	Sechskant-Rundkopfschraube, M3 x 18mm	Douille à six pans à tête bombée M3 x 18mm	Vite a testa tonda con esagono incassato M3 x 18mm
AXIC1181	AXA119 Hex Socket Btn Hd M3x20(10)	AXA119 Innensechskantschraube, Rundkopf, M3x20(10)	AXA119 Douille hexagonale à tête bombée M3x20(10)	AXA119 Vite cil esag inc M3x20(10)
AXIC1213	AXA1213 Bearing 5x8x2.5mm (2)	AXA1213 Lager 5x8x2.5mm (2)	AXA1213 Roulement 5x8x2.5mm (2)	AXA1213 Cuscinetto 5x8x2.5mm (2)
AXIC1391	AXA1391 E-Clip E4 (10)	E-Clip, 4mm	E-Clip, 4mm	E-Clip, 4mm
AXIC3066	AX31066 Cap Hd M2x8mm Blk (10)	Inbusschraube M2 x 8mm, schwarz (10)	Vis d'assemblage creuse M2 x 8mm noire (10)	Vite a testa cilindrica M2 x 8mm nero (10)
AXIC3150	AX31250 Ser Nyl Nut Blk 4mm(10)	Feststellkontermutter mit Flansch M4 (10)	Contre-écrou à embase M4 strié (10)	Controdado flangiato dentellato M4 (10)
AXIC3165	AX30165 Pin 2.5x12mm (6)	AX30165 Stift 2.5x12mm (6)	AX30165 Axe 2.5x12mm (6)	AX30165 Perno 2.5x12mm (6)
AXIC3373	AX31373 Hex Btn Head M2.6x8mm (10)	Sechskant-Rundkopfschraube, M2,6x8mm	Douille à six pans à tête bombée M2,6x8mm	Vite a testa tonda con esagono incassato M2,6x8mm
AXIC3374	AX31374 Body Clip Black 3mm(10)	Karosserieklemmen 3 mm (10)	Clips de carrosserie 3 mm (10)	Clip carrozzeria 3 mm (10)
AXIC4403	AX31403 Btn Hd Scrw M3x4x10mm (6)	Rundkopfschraube, M3x4x10mm (6)	Vis à tête bombée, M3x4x10mm (6)	Vite a testa tonda M3x4x10mm (6)
AXIC4406	AX31406 Bearing 7x14x3.5mm (2)	Lager 7x14x3,5mm	Roulement 7x14x3,5mm	7x14x3,5mm
AXIC4407	AX31407 Bearing 5x14x5mm (2)	Lager 5x14x5mm	Roulement 5x14x5mm	7x14x3,5mm
DYNS1216	Dynamite 35-Turn 540 Brushed Mot	35T Elektromotor	Moteur électrique 35T	Motore elettrico 35T
SPMRSLT300	SLT3 3CH 2.4Ghz SLT TX Only	SLT3 Sender	SLT3 émetteur	SLT3 trasmettitore
SPMS614	S614 Metal Gear Servo 23T WP	SS614 Stahlgetriebeservo 23T WP	Servo étanche à engrenages métalliques S614	S614, servo ingr metallo imp, 23T
SPMSR315	SR315 DSMR 3 CH Receiver	SR315 DSMR Empfänger	récepteur SR315 DSMR	SR315 DSMR ricevitore
SPMXSE1040	Firma 40A WP Brushed ESC: IC3	40 Amp Geschwindigkeitsregler	ESC 40 Amp	ESC 40 Amp
PRO634301	1/10 Big Bore Front/Rear Scaler Shock Rebuild Kit	1/10 Big Bore Front/Heck Scaler Stoßdämpfer-Umbau-Kit	Kit de reconstruction d'amortisseur Scaler avant/arrière Big Bore 1/10	Kit ricostruzione amm ant/post 1/10 Big Bore Scaler
PRO634302	1/10 Big Bore Frnt/Rr Scaler Shock Spring Assortment	1/10 Big Bore Front/Heck Scaler Stoßdämpfer-Federsortiment	Assortiment de ressort d'amortisseur Scaler avant/arrière Big Bore 1/10	Assortimento molle amm ant/post 1/10 Big Bore Scaler

RECOMMENDED PARTS // EMPFOHLENETEILE // PIÈCES RECOMMANDÉES // PARTI CONSIGLIATE

Part #	Description	Beschreibung	Description	Descrizione
DYNB37353	11.1V 3700mAh 3S 50CLiPo 96mmEC3	11,1V 3700mAh 3S 50CLiPo 96mmEC3	11,1V 3700mAh 3S 50CLiPo 96mmEC3	11,1V 3700mAh 3S 50CLiPo 96mmEC3
DYNB5025H3	7.4V 5000mAh 2S50C LiPo, Hardcase: EC3	7,4 V 5000 mAh 2S 50C LiPo, Hartschale: EC3	Li-Po 7,4 V 5000 mAh 2S 50C, boîtier : EC3	7,4 V 5000 mAh 2S 50C LiPo, hardcase: EC3
DYNB5035H3	11.1V 5000mAh 3S 50C LiPo,Hrdcs:EC3	11,1 V 5000 mAh 3S 50C LiPo, Hartschale: EC3	Li-Po 11,1 V 5 000 mAh 3S 50 C, boîtier : EC3	11,1 V 5000 mAh 3S 50C LiPo, hardcase: EC3
DYNC2030	Prophet Sport Mini 50W Charger	Prophet Sport Mini 50W Ladegerät	Chargeur Prophet Sport Mini, 50W	Caricabatterie Prophet Sport Mini, 50W
DYNC3015	P1 Mini AC Balance Char/ Dischar	Prophet Sport Mini AC Ladegerät	Chargeur Prophet Sport Mini, AC	Caricabatterie Prophet Sport Mini, AC
DYNC3016	Passport P2 2 Port AC/DC MultiCharger	Passport P2 2-Port-AC / DC-Multi-Ladegerät	Passport P2 Chargeur multiple AC / DC à 2 ports	Passport P2 Caricatore multiplo CA / CC a 2 porte
DYNC3017	Passport P4 AC/DC 4 Port Multicharger	Passport P4 4-Port-AC / DC-Multi-Ladegerät	Passport P4 Chargeur multiple AC / DC à 4 ports	Passport P4 Caricatore multiplo CA / CC a 4 porte
DYNS0900	Brushed Crawler Combo 35T	Gebürsteter Crawler Combo 35T	Brossé Crawler Combo 35T	Combo cingolato spazzolato 35T
SPMSS6250	S6250 U-T / H-S Digital HV WP Servo	S6250 U-T / H-S Digitales wasserdichtes Servo	S6250 U-T / H-S Servo étanche numérique	S6250 U-T / H-S Servo impermeabile digitale
SPMSS6280	S6280 U-T / H-S Digital HV WP Servo	S6280 U-T / H-S Digitales wasserdichtes Servo	S6280 U-T / H-S Servo étanche numérique	S6280 U-T / H-S Servo impermeabile digitale
SPMX50002S100H3	5000mAh 2S 7.4V Smart 100C; IC3	5000mAh 2S 7,4V Smart 100C; IC3	5000mAh 2S 7,4V Smart 100C; IC3	5000mAh 2S 7,4V Smart 100C; IC3
SPMX50002S30H3	5000mAh 2S 7.4V Smart 30C; IC3	5000mAh 2S 7,4V Smart 30C; IC3	5000mAh 2S 7,4V Smart 30C; IC3	5000mAh 2S 7,4V Smart 30C; IC3
SPMX50002S50H3	5000mAh 2S 7.4V Smart 50C; IC3	5000mAh 2S 7,4V Smart 50C; IC3	5000mAh 2S 7,4V Smart 50C; IC3	5000mAh 2S 7,4V Smart 50C; IC3
SPMX50003S100H3	5000mAh 3S 11.1V Smart 100C; IC3	5000mAh 3S 11,1V Smart 100C; IC3	5000mAh 3S 11,1V Smart 100C; IC3	5000mAh 3S 11,1V Smart 100C; IC3
SPMX50003S30H3	5000mAh 3S 11.1V Smart 30C; IC3	5000mAh 3S 11,1V Smart 30C; IC3	5000mAh 3S 11,1V Smart 30C; IC3	5000mAh 3S 11,1V Smart 30C; IC3
SPMX50003S50H3	5000mAh 3S 11.1V Smart 50C; IC3	5000mAh 3S 11,1V Smart 50C; IC3	5000mAh 3S 11,1V Smart 50C; IC3	5000mAh 3S 11,1V Smart 50C; IC3
SPMXC1000	Smart S1200 DC Charger, 1x200W	Smart S1200 Gleichstrom-Ladegerät, 1x200 W	Chargeur CC Smart S1200, 1x200 W	Caricabatterie Smart S1200 CC, 1x200 W
SPMXC1010	Smart S2100 AC Charger, 2X100W	Smart S2100 Gleichstrom-Ladegerät, 2x100 W	Chargeur CC Smart S2100, 2x100 W	Caricabatterie Smart S2100 CC, 2x100 W
SPMXC1050	Smart S1500 DC Charger, 1x500W	Smart S1500 Gleichstrom-Ladegerät, 1x500 W	Chargeur CC Smart S1500, 1x500 W	Caricabatterie Smart S1500 CC, 1x500 W
SPMXC1070	Smart S150 AC/DC Charger, 1x50W	Smart S150 Gleichstrom-Ladegerät, 1x50 W	Chargeur CC Smart S150, 1x50 W	Caricabatterie Smart S150 CC, 1x50 W
SPMXC1080	Smart S1100 AC Charger, 1x100W	Smart S1100 Gleichstrom-Ladegerät, 1x100 W	Chargeur CC Smart S1100, 1x100 W	Caricabatterie Smart S1100 CC, 1x100 W

OPTIONAL PARTS // OPTIONALE TEILE // PIÈCES FACULTATIVES // PARTI OPZIONALI

Part #	Description	Beschreibung	Description	Descrizione
AXI230025	Uni Body Post Set: SCX10 III	Universal-Gehäusestangensatz	Ensemble de poteaux de carrosserie universels	Set supporti carrozzeria universale
AXI231013	Servo Horn, Metal 25T: SCX10III	Servohorn, Metall 25T	Renvoi de commande de servo, métal 25T	Squadretta servo, Metallo 25T
AXI332001	6-Bolt 27/8 Overdrive Gear Set	6-Schrauben-27/8-Overdrive-Zahnradatz	Ensemble d'engrenages d'overdrive à 6 boulons 27/8	Set di ingranaggi Overdrive 27/8 a 6 bulloni
AXIC0724	AX30724 Pinion Gear 32p 13t	AX30724 Zahnradgetriebe 32p 13t	AX30724 Engrenage à pignons 32p 13t	AX30724 Pignone 32p 13t
AXIC0725	AX30725 Pinion Gear 32p 14t	AX30725 Zahnradgetriebe 32p 14t	AX30725 Engrenage à pignons 32p 14t	AX30725 Pignone 32p 14t
AXIC0726	AX30726 Pinion Gr 32p 15t 3mm	AX30726 Zahnradgetriebe 32p 15t	AX30726 Engrenage à pignons 32p 15t	AX30726 Pignone 32p 15t
AXIC0727	AX30727 Pinion Gear 32p 16t	AX30727 Zahnradgetriebe 32p 16t	AX30727 Engrenage à pignons 32p 16t	AX30727 Pignone 32p 16t
AXIC1097	AX31097 3-port Led Controller	AX31097 LED-Controller mit 3 Anschlüssen	Contrôleur DEL 3 ports AX31097	AX31097 Controller LED 3 porte
AXIC1098	AX31098 8 LED Light String White	AX31098 8 Weiße LED-Lichtkette	Série de lumières DEL blanches AX31098 8	AX31098 Cordino 8 LED bianco
AXIC1152	AX31152 Univ Light Bar Set	AX31152 Universal-Leuchtbalkensatz	Ensemble de rampe d'éclairage universel AX31152	AX31152 Set barra luminosa univ
AXIC7028	AX30728 Pinion Gear 32P 17T	AX30728 Zahnradgetriebe 32p 17t	AX30728 Engrenage à pignons 32p 17t	AX30728 Pignone 32p 17t
DYNH2025	SS Screw St:AxialSCX10 III	Edelstahl-Schraubensatz:AxialSCX10	Ensemble de vis en acier inoxydable	Set viti inox: AxialSCX10 III
SPMXSE1060	Firma 60ASenseBL Smart Cr ESC	Firma 60 A bürstenloser Smart-Geschwindigkeitsregler	Variateur ESC sans balais 60 A Smart Firma	Smart ESC Firma 60 A Brushless
SPMXSEM08	Firma Sense 1/10 Cr Sys Smart	Firma Sense 1/10 Stromversorgungssystem Smart	Firma Sense 1/10 système du pouvoir Smart	Firma Sense 1/10 sistema di alimentazione Smart
SPMXSM3001	Firma 2100kv BL Sense Cr Mot	FIRMA 2100 Kv bürstenloser Motor	Moteur sans balais 2 100 Kv FIRMA	Motore BL FIRMA 2100 Kv
SPMXSM3002	Firma 2800kv BL Sense Cr Mot	FIRMA 2800 Kv bürstenloser Motor	Moteur sans balais 2 800 Kv FIRMA	Motore BL FIRMA 2800 Kv

ELECTRONICS // ELETTRONIK // COMPONENTS ÉLECTRONIQUES // ELETTRONICA

Part #	Description	Beschreibung	Description	Descrizione
DYNS1216	35-Turn 540 Brushed Motor	35T Elektromotor	Moteur électrique 35T	Motore elettrico 35T
SPMRSLT300	SLT3 3CH 2.4Ghz SLT TX Only	SLT3 3CH Sender	SLT3 3CH Émetteur	SLT3 3CH Trasmettitore
SPMS614	Metal Gear Servo	Metallgetriebeservo	Servo à engrenages métalliques	Servo, ingranaggio metallico
SPMSR315	SR315 DSMR 3 CH Receiver	SR315 DSMR 3 CH Empfänger	Récepteur SR315 DSMR 3 CH	Ricevitore SR315 DSMR 3 CH
SPMXSE1040	40A Brushed ESC	40 Amp Geschwindigkeitsregler	ESC 40 Amp	ESC 40 Amp



BUILD ADVENTURE

facebook.com/axialinc | instagram.com/axialracing | twitter.com/axialrc
youtube.com/axialvideos | flickr.com/axialrc



WWW.AXIALADVENTURE.COM

©2022 Horizon Hobby, LLC.

Axial, the Axial logo, SCX-10, Proline, the Proline logo, DSM, DSMR, SLT3, IC3, EC3, Passport, and the Horizon Hobby logo are trademarks or registered trademarks of Horizon Hobby, LLC.

General Motors Trademarks are used under license to Horizon Hobby, LLC.

The Spektrum trademark is used with permission of Bachmann Industries, Inc. All other trademarks, service marks and logos are property of their respective owners.

US 9,930,567. US 10,419,970. US 10,849,013. Other patents pending.

Completed 06/22

AXI03029

236420