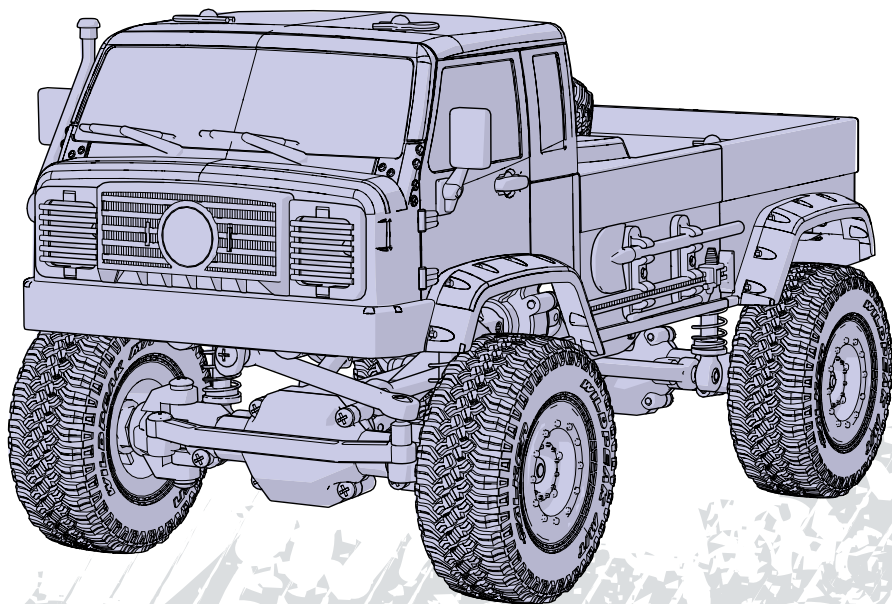




# **BARBAGE**<sup>®</sup>



## **1/24 SCALE 4WD ELECTRIC FPV UTILITY VEHICLE**

**INSTRUCTION MANUAL  
BEDIENUNGSANLEITUNG  
MANUEL D'UTILISATION  
MANUALE DI ISTRUZIONI**

**ECX00018T1/ECX00018T2**

## NOTICE

All instructions, warranties and other collateral documents are subject to change at the sole discretion of Horizon Hobby, LLC. For up-to-date product literature, visit <http://www.horizonhobby.com> and click on the support tab for this product.

## MEANING OF SPECIAL LANGUAGE

The following terms are used throughout the product literature to indicate various levels of potential harm when operating this product:

**WARNING:** Procedures, which if not properly followed, create the probability of property damage, collateral damage, and serious injury OR create a high probability of superficial injury.

**CAUTION:** Procedures, which if not properly followed, create the probability of physical property damage AND a possibility of serious injury.

**NOTICE:** Procedures, which if not properly followed, create a possibility of physical property damage AND little or no possibility of injury.



**WARNING:** Read the ENTIRE instruction manual to become familiar with the features of the product before operating. Failure to operate the product correctly can result in damage to the product, personal property and cause serious injury.

This is a sophisticated hobby product and NOT a toy. It must be operated with caution and common sense and requires some basic mechanical ability. Failure to operate this Product in a safe and responsible manner could result in injury or damage to the product or other property. This product is not intended for use by children without direct adult supervision. Do not use with incompatible components or alter this product in any way outside of the instructions provided by Horizon Hobby, LLC. This manual contains instructions for safety, operation and maintenance. It is essential to read and follow all the instructions and warnings in the manual, prior to assembly, setup or use, in order to operate correctly and avoid damage or serious injury.

Age Recommendation: Not for children under 14 years. This is not a toy.

## SAFETY PRECAUTIONS AND WARNINGS

As the user of this product, you are solely responsible for operating in a manner that does not endanger yourself and others or result in damage to the product or property of others.

This model is controlled by a radio signal subject to interference from many sources outside your control. This interference can cause momentary loss of control, so it is advisable to always keep a safe distance in all directions around your model as this margin will help avoid collisions or injury.

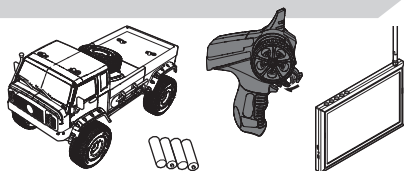
- Never operate your model with low transmitter batteries.
- Always operate your model in open spaces away from full-size vehicles, traffic and people.
- Never operate the model in the street or in populated areas for any reason.
- Carefully follow the directions and warnings for this and any optional support equipment (chargers, rechargeable battery packs, etc.) you use.

- Keep all chemicals, small parts and anything electrical out of the reach of children.
- Never lick or place any portion of the model in your mouth as it could cause serious injury or even death.
- Exercise caution when using tools and sharp instruments.
- Take care during maintenance as some parts may have sharp edges.
- Immediately after using your model, do NOT touch equipment such as the motor, electronic speed control and battery, because they generate high temperatures. You may burn yourself seriously touching them.
- Do not put fingers or any objects inside rotating and moving parts, as this may cause damage or serious injury.
- Always turn on your transmitter before you turn on the receiver in the car. Always turn off the receiver before turning your transmitter off.
- Keep the wheels of the model off the ground when checking the operation of the radio equipment.

**If you are operating this product in North America, you are required to have an Amateur Radio (HAM) license. Visit [www.arrl.org](http://www.arrl.org) for more information.**

## Box Contents

- ECX® Barrage® FPV Utility Vehicle
- 2-CH Transmitter (ECX10003)
- AA (4) Batteries
- USB 4.8V NiMH Charger (DYNC1060)
- NiMH, 220mAh, 4.8V (DYNB0007)
- Spektrum™ Video Monitor (SPMVM435)



## Specifications

Transmitter		Video Transmitter	
Frequency	2404 MHz – 2476 MHz	Input voltage	2.5–5V
Battery	AA x 4	Output power	25mW
		Frequency range	5725-5875 MHz
Truck		Video Monitor	
Power supply	4 cell 220mAh 4.8V NiMH	Recording media	micro SD card, not included
Run Time	10 min		

**CAUTION:** Failure to exercise caution while using this product and complying with the following precautions could result in product malfunction and/or void the warranty.

### NiMH Charging Warnings

**WARNING:** Failure to exercise caution while using this product and comply with the following warnings could result in product malfunction, electrical issues, excessive heat, FIRE, and ultimately injury and property damage.

- » NEVER CHARGE BATTERIES OVERNIGHT.
- » NEVER LEAVE CHARGING BATTERIES UNATTENDED.
- » Read all safety precautions and literature prior to use of this product.
- » Never allow children under 14 years of age to charge battery packs.
- » Never attempt to charge dead or damaged batteries.
- » Never charge a battery if the cable has been pinched or shorted.
- » Never allow batteries or charger to come into contact with moisture at any time.
- » Never charge batteries in extremely hot or cold places (recommended between 50–80°F (10–26°C)) or place in direct sunlight.
- » Always use only Ni-MH rechargeable batteries. This charger cannot charge batteries such as “heavy duty,” “alkaline battery,” “lithium battery,” or “mercury battery.”
- » Always connect to the charger correctly.
- » Always disconnect the battery and charger after charging and let them cool between charges.
- » Always inspect the battery before charging.
- » Always terminate all processes and contact Horizon Hobby if the product malfunctions.
- » Always make sure you know the specifications of the battery to be charged or discharged to ensure it meets the requirements of this charger.
- » Always constantly monitor the temperature of the battery pack while charging.
- » Always end the charging process if the charger or battery becomes hot to the touch or starts to change form during the charge process.

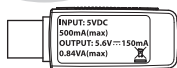
# Getting Started

## Charge the Vehicle Battery

1

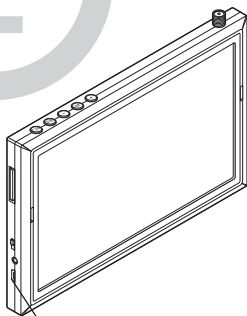
Refer to charging warnings.

1. Connect the battery to the battery charger.
2. Connect the battery charger to a powered USB.
3. The battery will charge in under 2 hours.  
The LED sequence for the USB charger is Red = charging, Green = charge is complete.



## Charge The Video Monitor

2



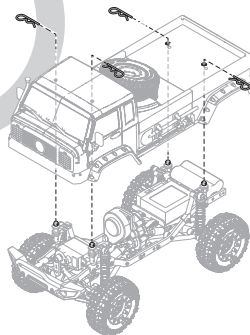
5V Micro USB Charge Port

Fully charge the Video Monitor before use.

1. Connect the included micro USB charge cable to a 5V USB power source.
2. The charge indicator LED will glow red while charging and green when the monitor is fully charged.

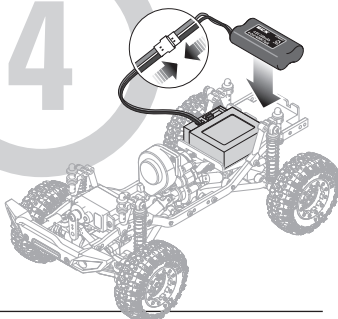
## Remove the body from the vehicle

3



## Install the vehicle battery

4





## Transmitter Controls

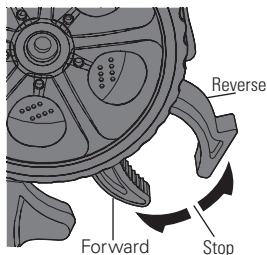
# 5

### STEERING WHEEL

Controls steering.  
Right and Left steering

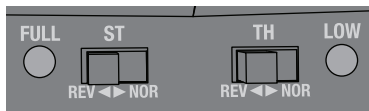


### THROTTLE TRIGGER




Controls power to the motor for forward or reverse


### REVERSE SWITCH



Allows you to change the direction of steering (ST. REV) and throttle (TH. REV) controls (Ensure proper function with a radio system test).

### BATTERY LEVEL INDICATOR

 Solid Red and Green: Battery voltage is good (above 4V).

 Solid Red: Battery voltage is critically low (below 4V). Replace transmitter batteries.

### THROTTLE DUAL RATE



Adjusts the maximum amount of throttle the vehicle can be given

### STEERING DUAL RATE



Adjusts the total steering travel

### THROTTLE TRIM



Adjusts the neutral point of the electronic speed control

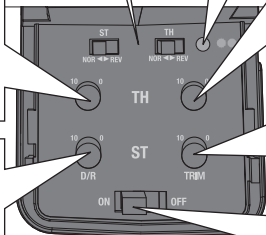
### STEERING TRIM



Adjust to make the vehicle drive straight with no input at the steering wheel

### POWER SWITCH

Powers on or off the transmitter



## Installing Your Transmitter Batteries

6

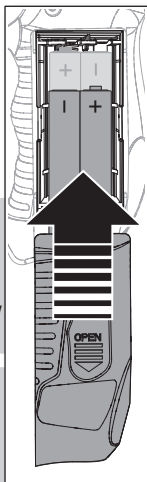
**CAUTION:** NEVER remove the transmitter batteries while the model is powered on. Loss of model control, damage or injury may occur.

**CAUTION:** If using rechargeable batteries, charge only rechargeable batteries. Charging non-rechargeable batteries may cause the batteries to burst, resulting in injury to persons and/or damage to property.

**CAUTION:** Risk of explosion if battery is replaced by an incorrect type. Dispose of used batteries according to national regulations.

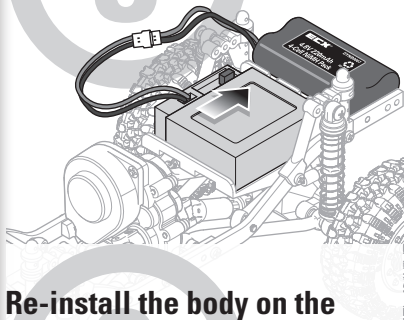
This transmitter requires 4 AA batteries.

1. Remove the battery cover from the transmitter.
2. Install the batteries as shown.
3. Install the battery cover.



## Power on the vehicle

8

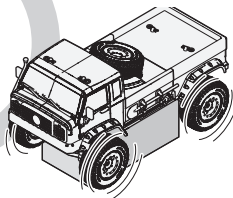


## Re-install the body on the vehicle

9

## Control Test

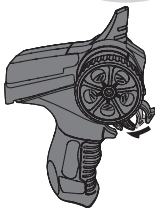
10



1. Do a test of the transmitter's control of the vehicle with the vehicle's wheels off the ground.
2. Start driving slowly, and, if the vehicle does not go straight, adjust the steering trim dial on the transmitter.

## Power on the transmitter

7



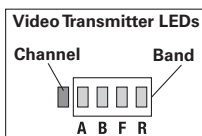
## Select the video frequency

# 11

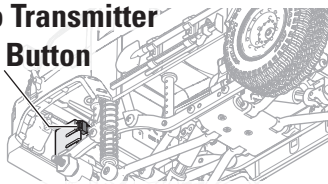
The video transmitter channel and band are changed using the button on the left side of the camera module.

### Channel Selection:

1. Channel 1 is indicated by the red LED glowing solid.
2. Press the VTX button to cycle through the channels (1-8). The red LED will flash once as you cycle through each channel.



## Video Transmitter (VTX) Button



Shown with tire removed for clarity.

### Band Selection:

1. Press and hold the VTX button to change the video transmitter band.
2. Each time the VTX button is pressed and held the blue band LED will indicate a change to the next available band. The blue LEDs indicate band A, band B, FS/IRC band, and RaceBand, as shown in the illustration.

## Available Frequencies (mHz)

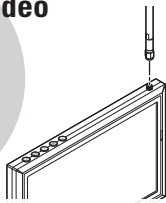
Band	CH 1	CH 2	CH 3	CH 4	CH 5	CH 6	CH 7	CH 8
<b>Band A</b>	5865	5845	5825	5805	5785	5765	5745	5745
<b>Band B</b>	5733	5752	5771	5790	5809	5828	5847	5866
<b>FS/IRC</b>	5740	5760	5780	5800	5820	5840	5860	5860
<b>RaceBand</b>	5732	5732	5732	5769	5806	5843	5843	5843

**NOTICE:** FS CH8 is received on FS CH7. Raceband CH 1 and CH2 are received on Raceband CH3, and Raceband CH7 and CH8 are received on Raceband CH6

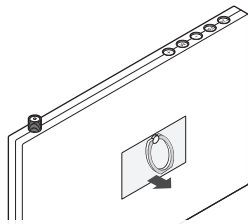
**TIP:** North American customers may purchase BLH8517 as an upgrade which will offer more channels available in that region.

## Prepare the video monitor

# 12



Attach the included antenna to the antenna connector located on the top of the monitor.



Attach the included monitor stand and use it to prop up the monitor to a preferred viewing angle.

## Video Monitor controls

13

**5.8GHz Antenna connector**

**Menu Buttons:**

Use the **+** and **-** buttons to make changes:

**Frequency Band Button**

Single push to change band

**Channel Selection Button**

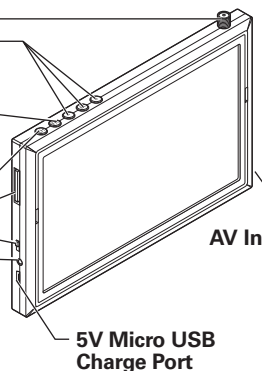
Single push to change channel

**Micro Memory Card Slot**

**ON/Off Switch**

**Charge Status LED**

Red = charging  
Green = charged



## VIDEO MONITOR MODES OF OPERATION

When powered on, the video monitor is in FPV mode. The buttons have the following functions while the monitor is in the various video modes:

### FPV mode

- **CH Button:** Press once to change the channel. Press and hold for approximately 3 seconds to auto scan available channels.
- **FR Button:** Press once to change the frequency band. Press and hold for approximately 3 seconds to auto scan.
- **M Button:** Press once to access the on-screen menu. Press again to exit the on-screen menu.
- **- and + Buttons:** Press to decrease or increase speaker volume and to adjust menu selections.
- **Back Panel Button:** Press once to start recording to the DVR. Press again to stop recording. Press and hold to change from FPV mode to DVR mode.

### DVR play-back mode

- **CH Button:** No function.
- **FR Button:** Press once to change between DVR record mode and DVR playback mode.
- **M Button:** Press once to enter/exit the on-screen menu. While in the menu, use the back panel button to highlight the desired selection and the **-** and **+** buttons to adjust the settings.
- **- and + Buttons:** Press to scroll through recorded files.
- **Back Panel Button:** Press once to play the selected file. Press again to pause/resume the playback. Press and hold to change from DVR mode to FPV mode.

## VIDEO MONITOR DVR FUNCTIONS

**DVR recording mode:** Record video from the built-in video receiver. (Micro SD card not included)

- **CH Button:** No function.
- **FR Button:** Press once to change between DVR record mode and DVR playback mode.
- **M Button:** No function.
- **- and + Buttons:** No function.
- **Back Panel Button:** Press to start/stop recording to the DVR.

**AV IN mode:** Display video from an external video source (cables not included)

- **CH Button:** No function.
- **FR Button:** No function.
- **M Button:** Press once to access the on-screen menu. Press again to exit the on-screen menu.
- **- and + Buttons:** Press to decrease or increase speaker volume and to adjust menu selections.
- **Back Panel Button:** Press to start/stop recording to the DVR.

## When You Are Finished

### Power off the vehicle

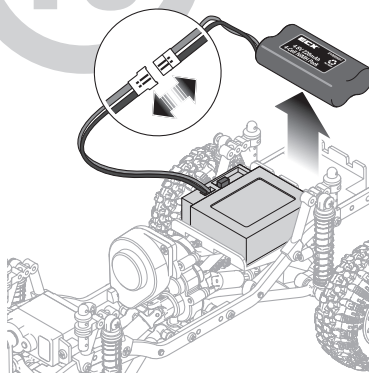
14

### Power off the transmitter and video monitor

15

### Remove and recharge the vehicle battery

16



## Binding Troubleshooting

EN

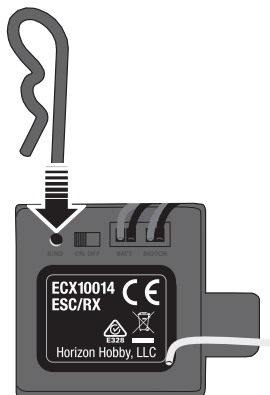
Binding is the process of programming the receiver to recognize the GUID (Globally Unique Identifier) code of a single specific transmitter. The included transmitter and receiver are bound at the factory. If you need to rebind, follow the instructions below.

1. Power off the transmitter and ESC.
2. Connect a fully charged battery pack to the ESC.
3. Press and hold the bind button while powering up the ESC. After 2 seconds the ESC will be in bind mode.
4. Release the bind button and power on transmitter. Binding is complete.

You must rebind when binding the receiver to a different transmitter.

**TIP:** Use the body pin that came with your vehicle to press the bind button within its cover.

**NOTICE:** Do not attempt to bind the transmitter and receiver if there are other compatible transmitters in bind mode within 400 feet. Doing so may result in unexpected binding.



# Troubleshooting Guide

Problem	Possible Cause	Solution
Short run time	Battery damaged/not charged	Check/change battery
	Motor dirty	Check/clean
Sluggish action	Motor dirty	Check/clean
	Bind in drivetrain	Clean/adjust
	Vehicle battery is not charged	Replace/recharge
Controls reversed	ST. REV or TH. REV	Change switch position
Motor/ESC overheat	Conditions too challenging for vehicle	Avoid driving in grass, mud, and other challenging terrain
Does not operate	Transmitter batteries low	Replace/recharge
	Transmitter powered off	Power on
	Vehicle powered off	Power on
	Vehicle battery is not charged	Replace/recharge
	Dual-rate (D/R) steering and/or throttle knobs on transmitter are turned counterclockwise	Adjust dual-rate (D/R) steering or throttle knobs clockwise to desired setting
Poor range	Transmitter batteries low	Replace/recharge
	Receiver antenna damaged	Check/repair/replace
Vehicle moves forward or backward without input from user	Throttle trim on transmitter not centered	Adjust throttle trim on transmitter to neutral point
Car does not drive straight	Steering trim on transmitter not centered	Adjust steering trim on transmitter so the vehicle drives straight
No steering or lack of steering	Steering dual-rate (D/R) on transmitter not adjusted correctly	Adjust steering dual-rate (D/R) knob on transmitter clockwise to desired steering throw
	Servo failed	Replace part
No throttle or lack of throttle	Throttle dual-rate (D/R) on transmitter not adjusted correctly	Adjust throttle dual-rate (D/R) knob on transmitter clockwise to desired steering throw
	ESC failed	Replace part
	Motor failed	Replace part
Clicking noise in transmission area	Dirt or rocks in spur gear	Remove gear cover and inspect. If necessary, Replace part
Static in FPV feed	Interference on chosen channel	Change the video transmitter and receiver channel

# Limited Warranty

## What this Warranty Covers

Horizon Hobby, LLC, (Horizon) warrants to the original purchaser that the product purchased (the "Product") will be free from defects in materials and workmanship at the date of purchase.

## What is Not Covered

This warranty is not transferable and does not cover (i) cosmetic damage, (ii) damage due to acts of God, accident, misuse, abuse, negligence, commercial use, or due to improper use, installation, operation or maintenance, (iii) modification of or to any part of the Product, (iv) attempted service by anyone other than a Horizon Hobby authorized service center, (v) Product not purchased from an authorized Horizon dealer, or (vi) Product not compliant with applicable technical regulations or (vii) use that violates any applicable laws, rules, or regulations.

OTHER THAN THE EXPRESS WARRANTY ABOVE, HORIZON MAKES NO OTHER WARRANTY OR REPRESENTATION, AND HEREBY DISCLAIMS ANY AND ALL IMPLIED WARRANTIES, INCLUDING, WITHOUT LIMITATION, THE IMPLIED WARRANTIES OF NON-INFRINGEMENT, MERCHANTABILITY AND FITNESS FOR A PARTICULAR PURPOSE. THE PURCHASER ACKNOWLEDGES THAT THEY ALONE HAVE DETERMINED THAT THE PRODUCT WILL SUITABLY MEET THE REQUIREMENTS OF THE PURCHASER'S INTENDED USE.

## Purchaser's Remedy

Horizon's sole obligation and purchaser's sole and exclusive remedy shall be that Horizon will, at its option, either (i) service, or (ii) replace, any Product determined by Horizon to be defective. Horizon reserves the right to inspect any and all Product(s) involved in a warranty claim. Service or replacement decisions are at the sole discretion of Horizon. Proof of purchase is required for all warranty claims. SERVICE OR REPLACEMENT AS PROVIDED UNDER THIS WARRANTY IS THE PURCHASER'S SOLE AND EXCLUSIVE REMEDY.

## Limitation of Liability

HORIZON SHALL NOT BE LIABLE FOR SPECIAL, INDIRECT, INCIDENTAL OR CONSEQUENTIAL DAMAGES, LOSS OF PROFITS OR PRODUCTION OR COMMERCIAL LOSS IN ANY WAY, REGARDLESS OF WHETHER SUCH CLAIM IS BASED IN CONTRACT, WARRANTY, TORT, NEGLIGENCE,

STRICT LIABILITY OR ANY OTHER THEORY OF LIABILITY, EVEN IF HORIZON HAS BEEN ADVISED OF THE POSSIBILITY OF SUCH DAMAGES. Further, in no event shall the liability of Horizon exceed the individual price of the Product on which liability is asserted. As Horizon has no control over use, setup, final assembly, modification or misuse, no liability shall be assumed nor accepted for any resulting damage or injury. By the act of use, setup or assembly, the user accepts all resulting liability. If you as the purchaser or user are not prepared to accept the liability associated with the use of the Product, purchaser is advised to return the Product immediately in new and unused condition to the place of purchase.

## Law

These terms are governed by Illinois law (without regard to conflict of law principals). This warranty gives you specific legal rights, and you may also have other rights which vary from state to state. Horizon reserves the right to change or modify this warranty at any time without notice.

## WARRANTY SERVICES

### Questions, Assistance, and Services

Your local hobby store and/or place of purchase cannot provide warranty support or service. Once assembly, setup or use of the Product has been started, you must contact your local distributor or Horizon directly. This will enable Horizon to better answer your questions and service you in the event that you may need any assistance. For questions or assistance, please visit our website at [www.horizonhobby.com](http://www.horizonhobby.com), submit a Product Support Inquiry, or call the toll free telephone number referenced in the Warranty and Service Contact Information section to speak with a Product Support representative.

### Inspection or Services

If this Product needs to be inspected or serviced and is compliant in the country you live and use the Product in, please use the Horizon Online Service Request submission process found on our website or call Horizon to obtain a Return Merchandise Authorization (RMA) number. Pack the Product securely using a shipping carton. Please note that original boxes may be included, but are not designed to withstand the rigors of shipping without additional protection. Ship via a carrier that provides tracking and insurance for lost or

damaged parcels, as Horizon is not responsible for merchandise until it arrives and is accepted at our facility. An Online Service Request is available at [http://www.horizonhobby.com/content/service-center\\_render-service-center](http://www.horizonhobby.com/content/service-center_render-service-center). If you do not have internet access, please contact Horizon Product Support to obtain a RMA number along with instructions for submitting your product for service. When calling Horizon, you will be asked to provide your complete name, street address, email address and phone number where you can be reached during business hours. When sending product into Horizon, please include your RMA number, a list of the included items, and a brief summary of the problem. A copy of your original sales receipt must be included for warranty consideration. Be sure your name, address, and RMA number are clearly written on the outside of the shipping carton.

**NOTICE:** Do not ship Li-Ion batteries to Horizon. If you have any issue with a Li-Ion battery, please contact the appropriate Horizon Product Support office.

### Warranty Requirements

For Warranty consideration, you must include your original sales receipt verifying the proof-of-purchase date. Provided warranty conditions have been met, your Product will be serviced or replaced free of charge. Service or replacement decisions are at the sole discretion of Horizon.

### Non-Warranty Service

Should your service not be covered by warranty, service will be completed and payment will be required without notification or estimate of the expense unless the expense exceeds 50% of the retail purchase cost. By submitting the item for service you are agreeing to payment of the service without notification. Service estimates are available upon request. You must include this request with your item submitted for service. Non-warranty service estimates will be billed a minimum of ½ hour of labor. In addition you will be billed for return freight. Horizon accepts money orders and cashier's checks, as well as Visa, MasterCard, American Express, and Discover cards. By submitting any item to Horizon for service, you are agreeing to Horizon's Terms and Conditions found on our website [http://www.horizonhobby.com/content/service-center\\_render-service-center](http://www.horizonhobby.com/content/service-center_render-service-center).

**ATTENTION:** Horizon service is limited to Product compliant in the country of use and ownership. If received, a non-compliant Product will not be serviced. Further, the sender will be responsible for arranging return shipment of the un-serviced Product, through a carrier of the sender's choice and at the sender's expense. Horizon will hold non-compliant Product for a period of 60 days from notification, after which it will be discarded.

10/15

## Warranty and Service Contract Information

Country of Purchase	Horizon Hobby	Contact Information	Address
United States of America	Horizon Service Center (Repairs and Repair Requests)	<a href="http://servicecenter.horizonhobby.com/RequestForm/">servicecenter.horizonhobby.com/RequestForm/</a>	1608 Interstate Dr Champaign, Illinois, 61822 USA
	Horizon Product Support (Product Technical Assistance)	<a href="mailto:productsupport@horizonhobby.com">productsupport@horizonhobby.com</a> 877-504-0233	
	Sales	<a href="mailto:websales@horizonhobby.com">websales@horizonhobby.com</a> 800-338-4639	
European Union	Horizon Technischer Service Sales: Horizon Hobby GmbH	<a href="mailto:service@horizonhobby.eu">service@horizonhobby.eu</a> +49 (0) 4121 2655 100	Hanskampring 9 D 22885 Barsbüttel, Germany



## FCC Information

### FCC Statement

**FCC ID: XNZKTH91802G**

This equipment has been tested and found to comply with the limits for Part 15 of the FCC rules. These limits are designed to provide reasonable protection against harmful interference in a residential installation. This equipment generates uses and can radiate radio frequency energy and, if not installed and used in accordance with the instructions, may cause harmful interference to radio communications.

However, there is no guarantee that interference will not occur in a particular installation. If this equipment does cause harmful interference to radio or television reception, which can be determined by turning the equipment off and on, the user is encouraged to try to correct the interference by one or more of the following measures:

- Reorient or relocate the receiving antenna.
- Increase the separation between the equipment and receiver.
- Connect the equipment to an outlet on a circuit different from that to which the receiver is connected.
- Consult the dealer or an experienced radio/TV technician for help.

This device complies with part 15 of the FCC rules. Operation is subject to the following two conditions: (1) This device may not cause harmful interference, and (2) this device must accept any interference received, including interference that may cause undesired operation.



**CAUTION:** Changes or modifications not expressly approved by the party responsible for compliance could void the user's authority to operate the equipment.

## IC Information

### IC Information

**IC: 20264-KTH91802G**

This device complies with Industry Canada license-exempt RSS standard(s). Operation is subject to the following two conditions: (1) this device may not cause interference, and (2) this device must accept any interference, including interference that may cause undesired operation of the device.

## EU Information

**CE EU Compliance Statement:** Horizon Hobby, LLC hereby declares that this product is in compliance with the essential requirements and other relevant provisions of the RED and EMC Directives.

A copy of the EU Declaration of Conformity is available online at:

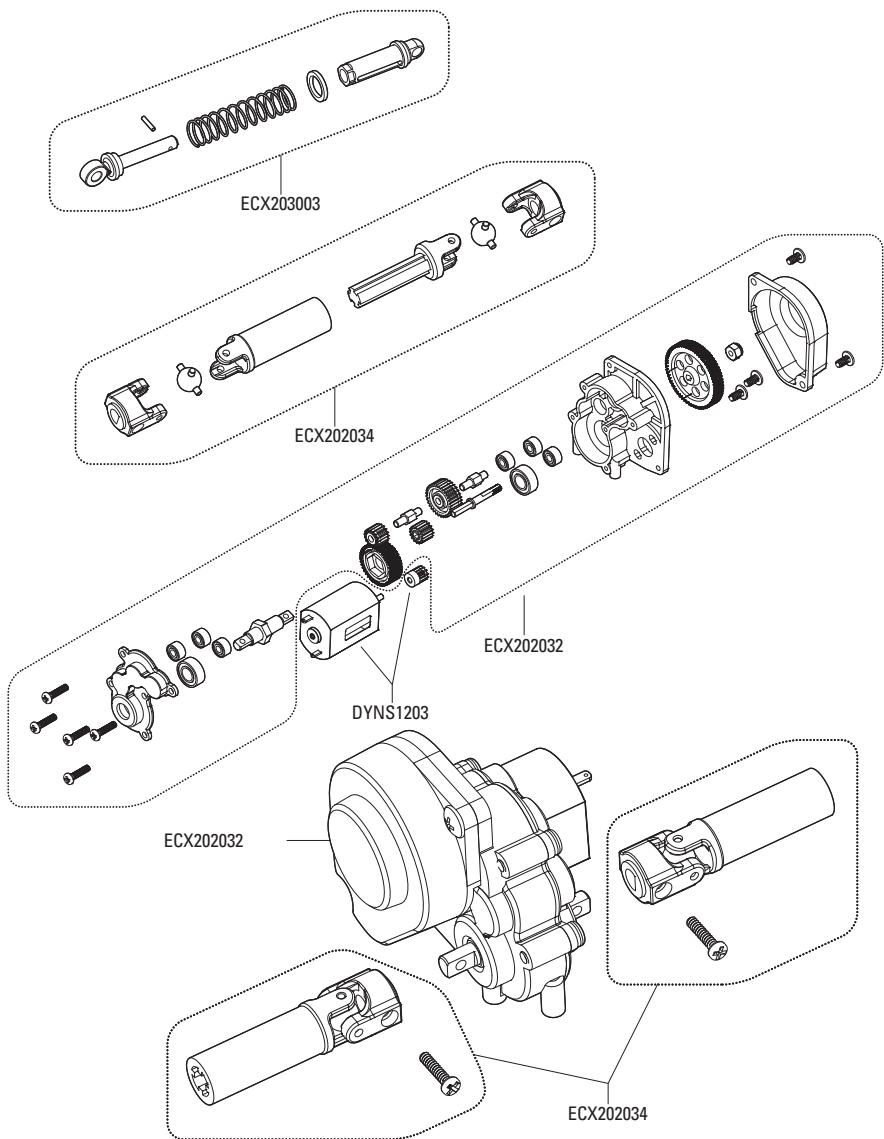
<http://www.horizonhobby.com/content/support-render-compliance>.

### Instructions for disposal of WEEE by users in the European Union

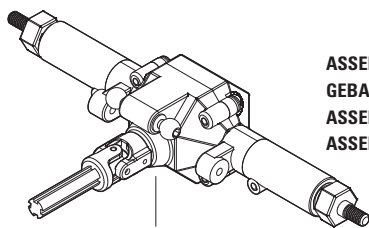


This product must not be disposed of with other waste. Instead, it is the user's responsibility to dispose of their waste equipment by handing it over to a designated collections point for the recycling of waste electrical and electronic equipment. The separate collection and recycling of your waste equipment at the time of disposal will help to conserve natural resources and ensure that it is recycled in a manner that protects human health and the environment. For more information about where you can drop off your waste equipment for recycling, please contact your local city office, your household waste disposal service or where you purchased the product.



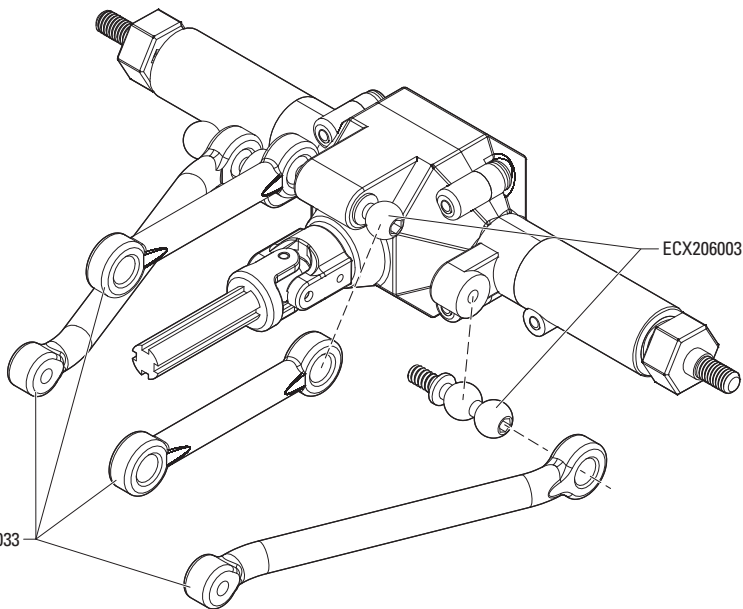


**REAR ASSEMBLY**  
**RÜCKENMONTAGE**  
**ASSEMBLAGE ARRIÈRE**  
**MONTAGGIO POSTERIORE**



**ASSEMBLED**  
**GEBAUT**  
**ASSEMBLÉ**  
**ASSEMBLATO**

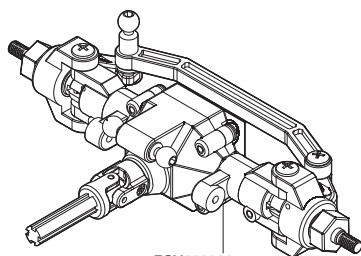
ECX202031



ECX206003

ECX202031

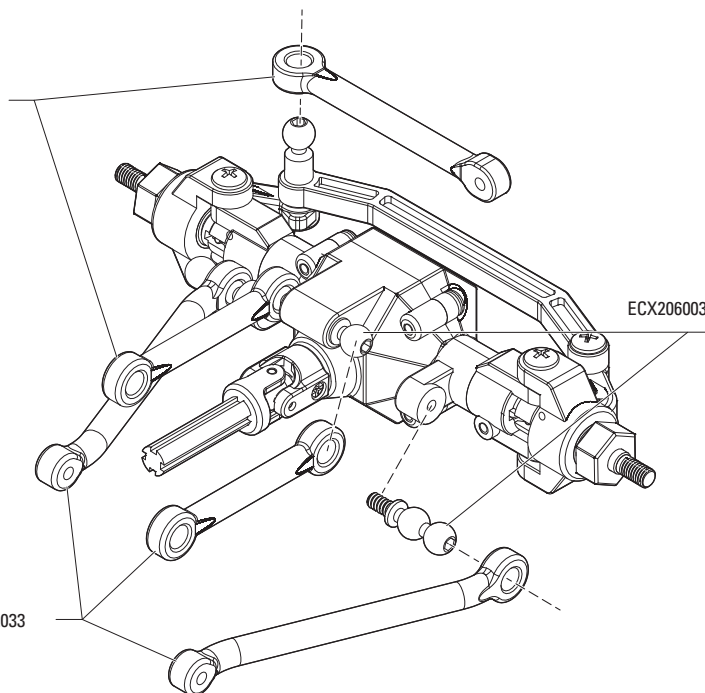
**FRONT ASSEMBLY  
FRONTMONTAGE  
ASSEMBLAGE AVANT  
MONTAGGIO ANTERIORE**



**ASSEMBLED  
GEBAUT  
ASSEMBLÉ  
ASSEMBLATO**

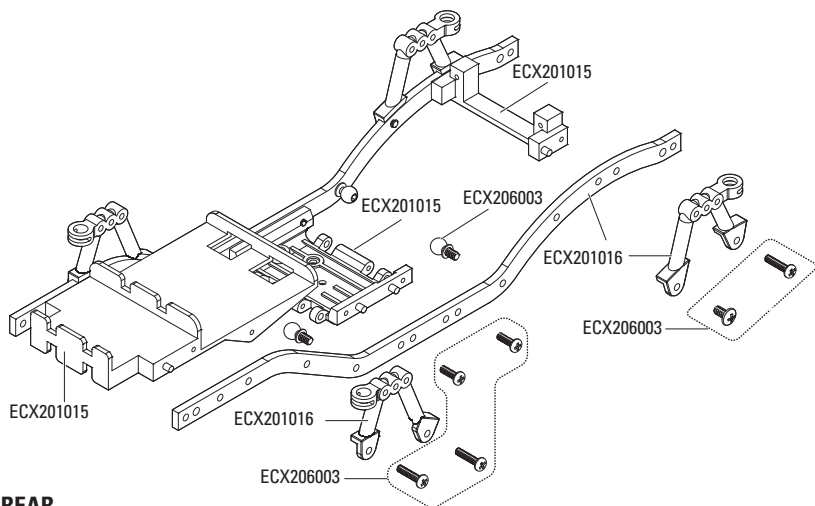
ECX202030

ECX202033

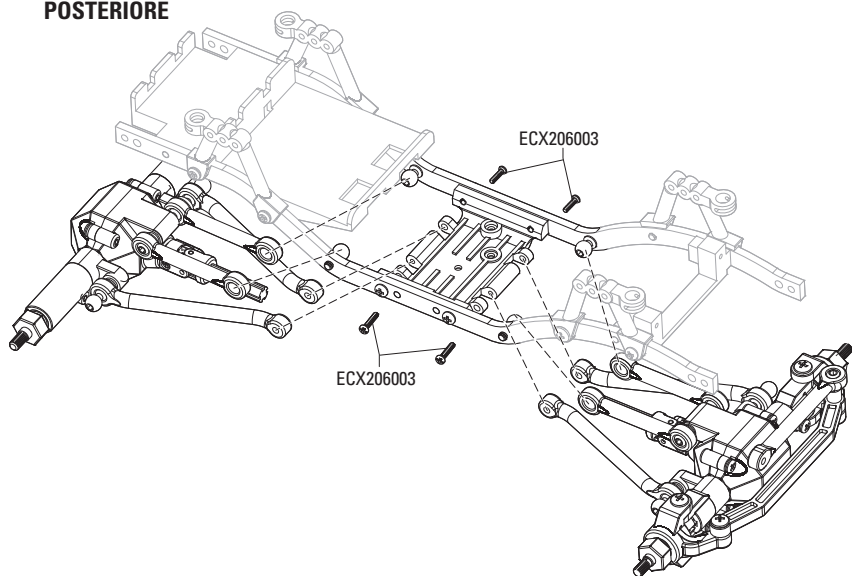


ECX206003

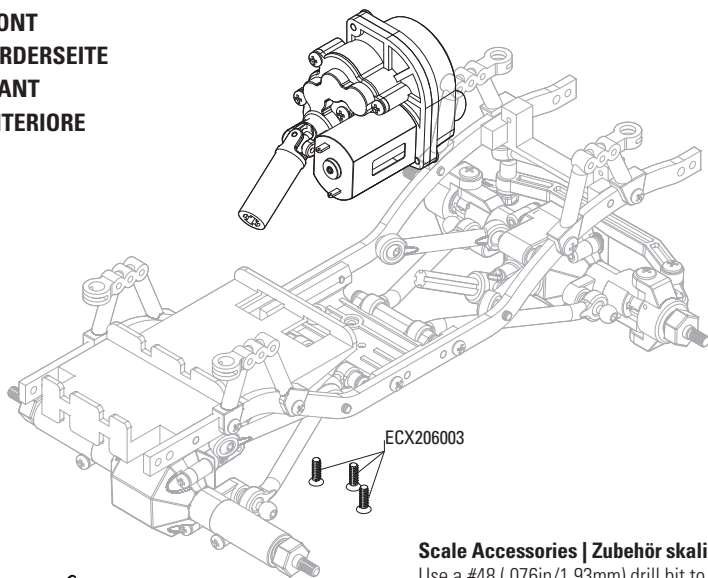
ECX202033



**REAR  
RÜCKSEITE  
ARRIÈRE  
POSTERIORE**



**FRONT  
VORDERSEITE  
AVANT  
ANTERIORE**

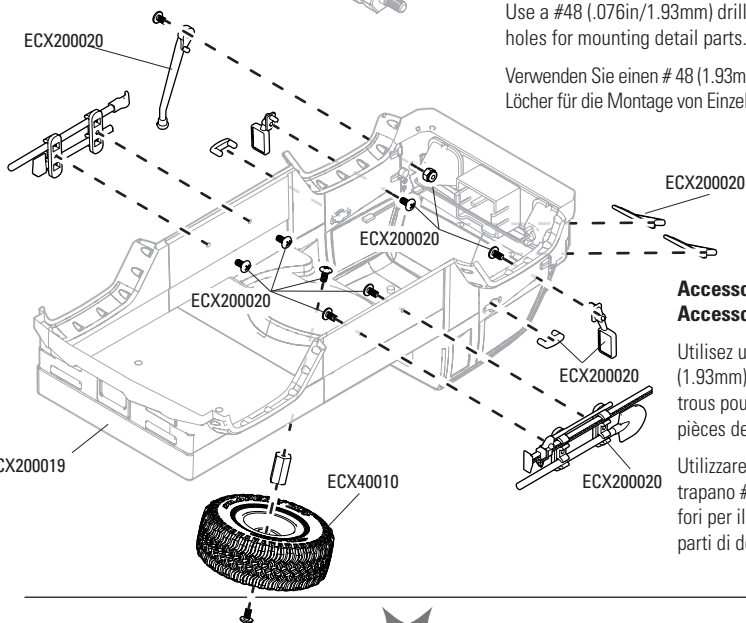


ECX206003

**Scale Accessories | Zubehör skalieren**

Use a #48 (.076in/1.93mm) drill bit to punch holes for mounting detail parts.

Verwenden Sie einen # 48 (1.93mm) Bohrer, um Löcher für die Montage von Einzelteilen zu stanzen.



ECX200020

ECX200020

ECX200020

ECX200020

**Accessoires d'échelle |  
Accessori in scala**

Utilisez un foret # 48 (1.93mm) pour percer des trous pour le montage des pièces de détail.

Utilizzare una punta da trapano # 48 (1.93mm) sui fori per il montaggio delle parti di dettaglio.

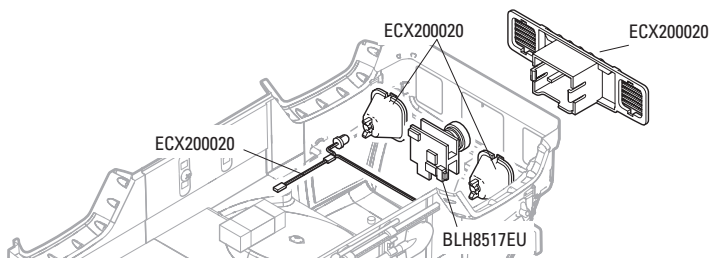
ECX200020

ECX200020

ECX200019

ECX40010





## REPLACEMENT PARTS / ERSATZTEILE / PIÈCES DE RECHANGE / PEZZI DI RICAMBIO

Part #	Description	Beschreibung	Description	Descrizione
ECX201015	Chassis Supports	Karosserieträger	Supports de châssis	Supporti telaio
ECX202034	Drive Shaft Set	Antriebswellensatz	Ensemble d'arbre d'entraînement	Kit albero trasmissione
ECX202032	TRANSMISSION:	GETRIEBE:	TRANSMISSION :	TRASMISSIONE:
DYNB0007	4.8V 220 MAH NIMH	4,8 V 220 MA NIMH	NIMH 4,8 V 220 MAH	4,8 V 220 MAH NIMH
ECX10008	SERVO: 1:24	SERVO: 1:24	SERVO : 1:24	SERVOCOMANDO: 1:24
ECX40010	F/R PRMNTTIRE: 1/24 BARRAGE	F/R PRMNTTIRE: 1/24 BARRAGE	F/R PRMNTTIRE: 1/24 BARRAGE	F/R PRMNTTIRE: 1/24 BARRAGE
DYNC1060	USB CHARGER 4.8V NIMH	USB-LADEGERÄT 4,8 V NIMH	CHARGEUR USB 4,8 V NIMH	CARICABATTERIE USB 4.8V NIMH
DYNS1203	MOTOR W/PINION	MOTOR MIT RITZEL	MOTEUR ET PIGNON	MOTORE CON PIGNONE
ECX10003	2.4GHZ TRANSMITTER	2,4 GHZ SENDER	ÉMETTEUR 2,4 GHZ	TRASMITTENTE DA 2,4 GHZ
ECX10014	CRAWLER ESC/RX V4	CRAWLER GESCHWINDIGKEITSREGLER/RX V4	CRAWLER ESC/RX V4	CRAWLER ESC/RX V4
ECX200019	CLR BODY W/ DECALS	CLR KAROSSERIE MIT DECALS	CHÂSSIS CRAWLER AC LOGOS	CORPO DI COMANDO CON DECALCOMANIE
ECX200020	SCALE ACCESSORY SET	MASSTABSGETREUER ZUBEHÖRSATZ	ENSEMBLE DES ACCESSOIRES MAQUETTE	KIT ACCESSORI IN SCALA
ECX201015	CHASSIS SUPPORTS: 1/24 BARRAGE	CHASSISHALTERUNGEN: 1/24 BARRAGE	SUPPORTS DE CHÂSSIS : 1/24 BARRAGE	SUPPORTI TELAIO: 1/24 BARRAGE
ECX201016	CHASSIS RAILS	KAROSSERIESCHIENEN	RAILS DU CHÂSSIS	GUIDE TELAIO
ECX202030	FR AXLE, ASSEMBLED	VORDERACHSE, MONTIERT	ESSIEU AV, ASSEMBLÉ	ASSALE ANT., ASSEMBLATO
ECX202031	RR AXLE, ASSEMBLED	HINTERACHSE, MONTIERT	ESSIEU AR, ASSEMBLÉ	ASSALE POS., ASSEMBLATO
ECX202033	SUSPENSION LINKS	AUFHÄNGUNGEN	LIAISONS DE SUSPENSION	BIELLE SOSPENSIONI
ECX203003	SHOCK SET (4)	STOSSDÄMPFERSATZ (4)	ENSEMBLE D'AMORTISSEURS (4)	SET AMMORTIZZATORI (4)

**REPLACEMENT PARTS / ERSATZTEILE /  
PIÈCES DE RECHANGE / PEZZI DI RICAMBIO**

<b>Part #</b>	<b>Description</b>	<b>Beschreibung</b>	<b>Description</b>	<b>Descrizione</b>
ECX206003	HARDWARE SET	HARDWARESATZ	ENSEMBLE DE MATÉRIEL	SET BULLONERIA
SPMVX5801	FPV Antenna	FPV Antenna	FPV Antenna	FPV Antenna
SPMVM435	4.3" FPV Video Monitor with DVR	4.3" FPV-Videomonitor mit DVR	Moniteur vidéo FPV 4.3" avec magnétoscope numérique	Monitor FPV con DVR 4,3"
BLH8517EU*	FX805 FPV Cam, 25mW	FX805 FPV-Kamera 25 mW	Caméra FPV FX805, 25 mW	Videocamera FPV FX805, 25 mW

\*For North American customers, the replacement camera (BLH8517) requires an amateur radio license

\*Pour les clients nord-américains, l'utilisation de la caméra de remplacement (BLH8517) nécessite un permis radio amateur





**ECX00018T1 | ECX00018T2**  
**[www.ecxrc.com](http://www.ecxrc.com)**

© 2018 Horizon Hobby, LLC. ECX, the ECX logo, Barrage, Dynamite,  
and the Horizon Hobby logo are trademarks or registered trademarks of Horizon Hobby, LLC.  
Created 08/2018

58318