



ESTES INDUSTRIES
1295 H STREET
PENROSE, CO 81240 USA

ALPHA[®]



BETA SERIES

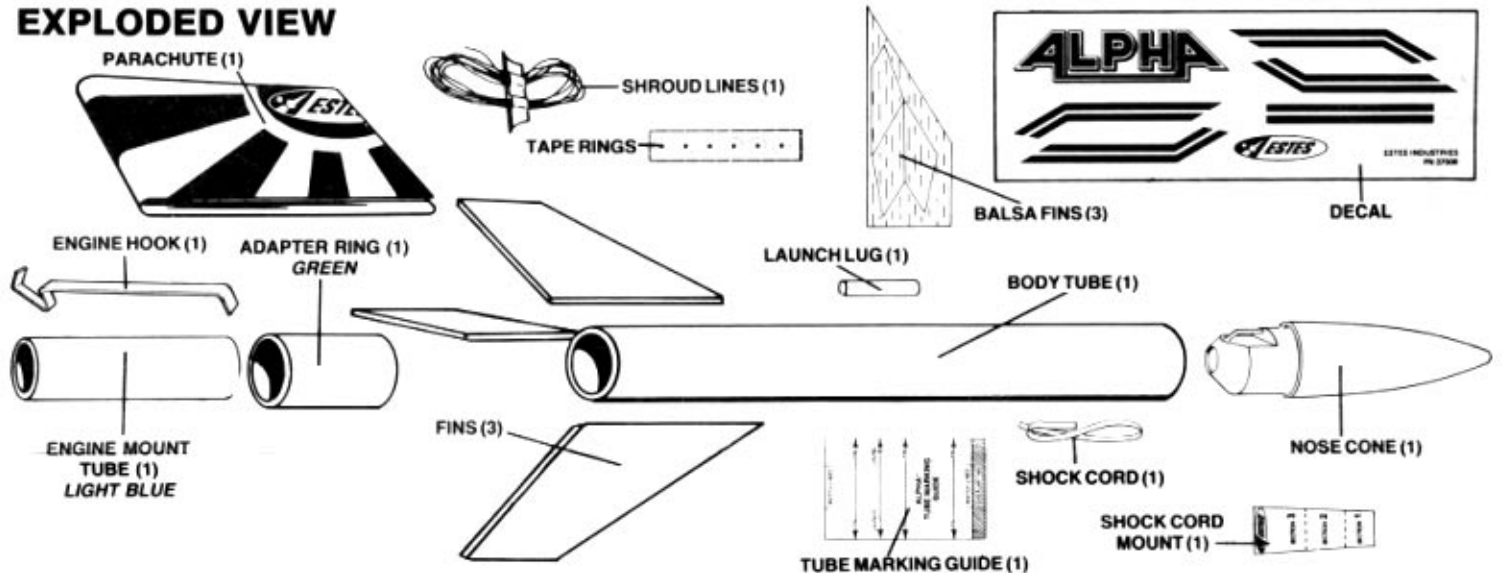
FLYING MODEL ROCKET KIT #1225

HOW TO USE THESE INSTRUCTIONS:

READ ALL INSTRUCTIONS BEFORE STARTING WORK ON THIS MODEL

- A. This rocket, incorporating basic model rocketry construction techniques, will help you in the development of your rocketry modeling skills.
- B. Read each step first and visualize the procedure thoroughly in your mind before starting construction.
- C. Lay parts out on the table in front of you. (Check inside tubes for any small parts.)
- D. Use exploded view to match all parts contained in kit.
- E. Collect all construction supplies that are not included in the kit.
- F. Tube marking guide and shock cord mount are printed in the instructions and will be found on page 7.
- G. Test fit parts before applying any glue.
- H. Sand parts as necessary for proper fit.
- I. The construction supplies required for each step are listed at the beginning of each step.
- J. Check off each step as you complete it.

EXPLODED VIEW



EXTREMELY IMPORTANT: THE EXPLODED VIEW IS FOR REFERENCE ONLY! DO NOT USE THIS DRAWING ALONE TO ASSEMBLE THIS MODEL.

The exploded view is only intended to assist you in locating the parts included in this kit. Refer back to this exploded view as you build your model step by step. This method will help you to put the parts into perspective as you progress through the construction.

CONSTRUCTION SUPPLIES

In addition to the parts included in your kit, you will need these construction supplies. Each step shows which supplies will be required.



RULER



PENCIL



KNIFE



GLUE
(white or yellow)



SCISSORS



SANDPAPER



MASKING TAPE



ENAMEL
SPRAY
PAINT
(white,
red, blue)



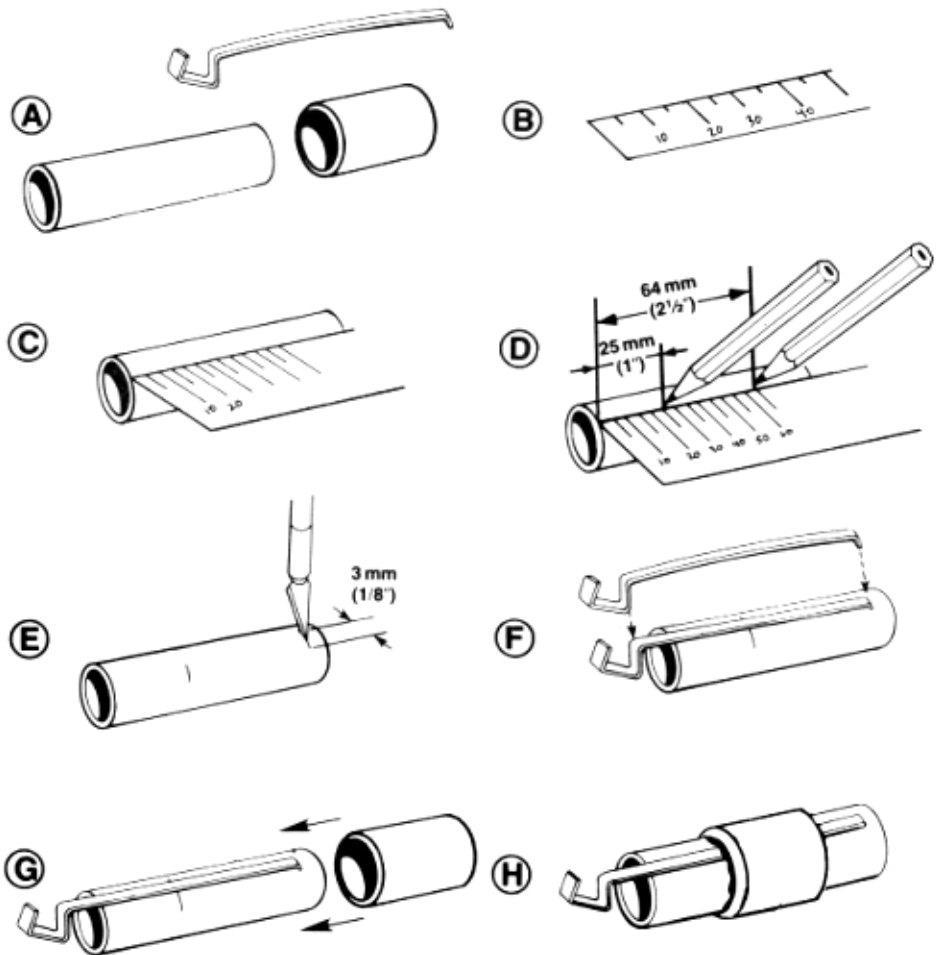
SANDING
SEALER
OR
PRIMER

GLUE IS APPLIED TO SURFACES SHOWN IN RED.

1. ENGINE MOUNT ASSEMBLY



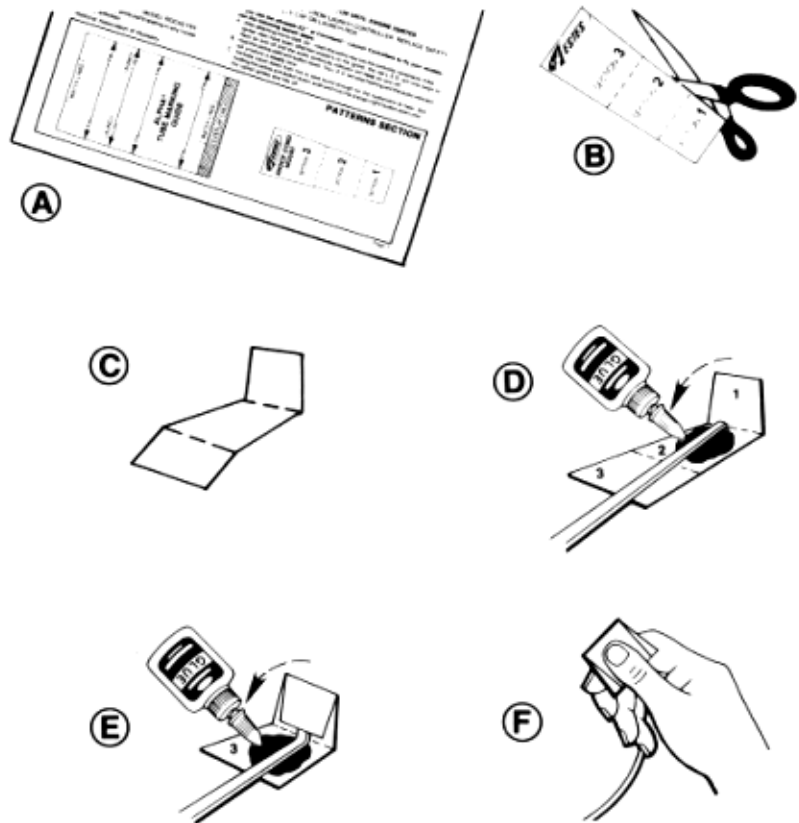
- A. You will need the light blue engine mount tube, engine hook and the green adapter ring.
- B. Locate the ruler printed in the center crease of this instruction sheet.
- C. Lay one end of the engine mount tube on the zero mark of the ruler.
- D. Take your pencil and place a mark on the engine mount tube 25 mm (1") from zero. Make another mark at 64 mm (2½") from zero.
- E. Cut a 3 mm (1/8") wide slit as shown at the 64 mm (2½") mark only.
- F. Insert the engine hook into the slit as shown. The engine hook should extend beyond the rear of the engine tube.
- G. Test fit the green adapter ring by sliding onto the front of the light blue engine tube. Slide the ring over the engine hook and up to the 25 mm (1") mark you made in step D.
- H. Once the ring is in place, apply glue to both sides of the ring. Set assembly aside and allow to dry.



2. SHOCK CORD MOUNT ASSEMBLY



- A. Locate the shock cord mount on the bottom of page 7 in the patterns section.
- B. Cut out the shock cord mount along the solid black outline.
- C. Crease on dotted lines by folding.
- D. Spread glue on section 2 and lay end of shock cord into glue at a slight diagonal as shown.
- E. Fold section 1 forward. Apply glue to section 3. Fold forward again.
- F. Clamp firmly with your fingers until glue dries.

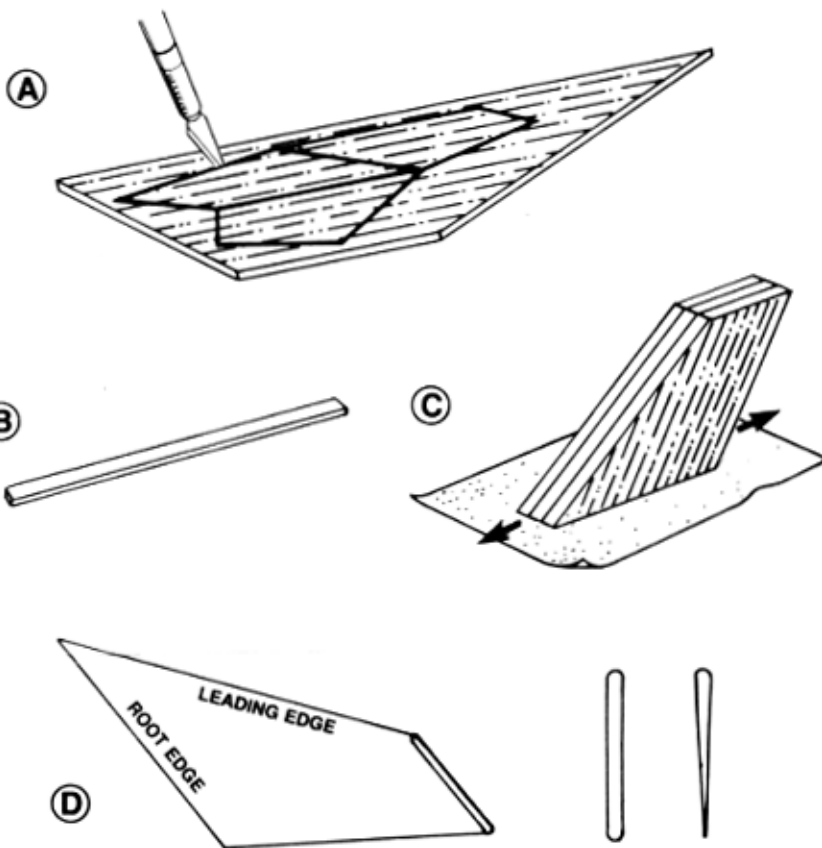


3. FIN PREPARATION

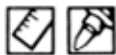


- NOTE: Read before proceeding with this step.
- Since your fins are not completely cut out of the balsa sheet, you will need to **work carefully** with your hobby knife to free the fins from the sheet.
 - Be sure to cut completely around each fin outline before attempting to remove fins from the sheet.
 - Check both sides of the sheet to make sure you cut through.
 - Pay close attention to the corner areas where die cutting is not complete.
 - As you cut around each fin, cut away from the adjacent fins so you will not damage the other fins on the sheet.

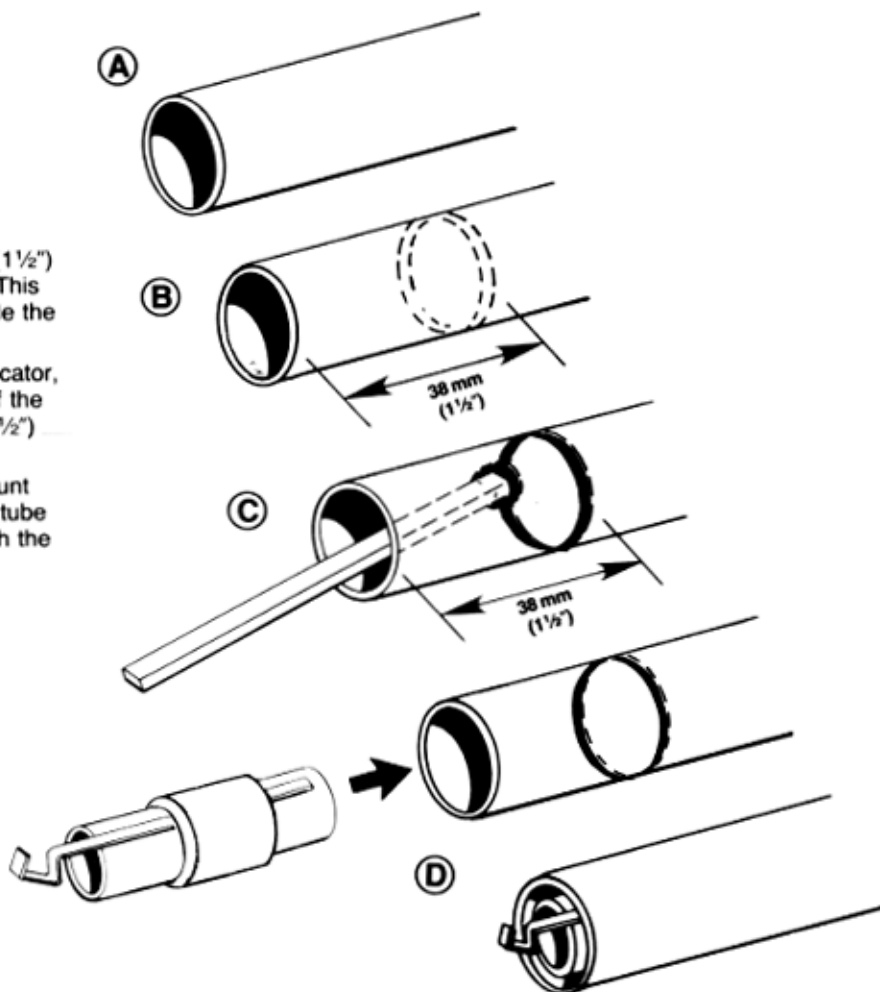
- A. Free the fins from the balsa sheet with your hobby knife.
- B. Keep a piece of scrap balsa to use as a glue applicator in step 4.
- C. Lay sandpaper, rough face up, on your table. Stack the fins together and lightly sand the edges smooth and flat.
- D. Optional: For a better-looking and higher-performing rocket, round the leading edges and trailing edges. For ultimate performance, streamline the trailing edges of each fin as illustrated.



4. ENGINE MOUNT INSTALLATION



- A. Locate the body tube.
- B. Measure approximately 38 mm (1½") from one end of the body tube. This gives you an idea of where inside the tube you will be spreading glue.
- C. Using the scrap balsa glue applicator, spread glue around the inside of the tube at approximately 38 mm (1½") from the end.
- D. Push the front of the engine mount assembly into the end of the body tube until the engine tube is even with the end of the body tube.

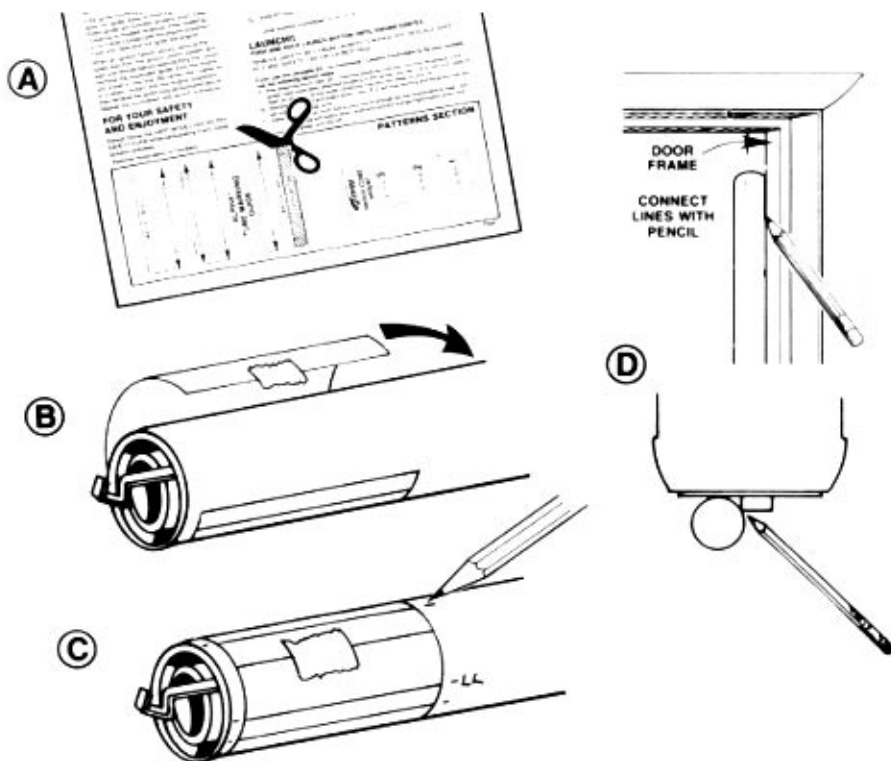


5. TUBE MARKING DETAIL



NOTE: It will be easier to attach the fins if the body tube is slightly roughened by sanding with #600 grit sandpaper. Sand before marking body tube.

- A. Locate the tube marking guide on the bottom of page 7 in the patterns section. Cut the guide along the outline.
- B. Wrap the guide around the body tube and tape it in place (this is the same end that contains engine mount.)
- C. Mark tube at all arrow locations. One line on your tube marking guide is labeled LL, this means launch lug. Write LL on the body tube for that line. Remove marking guide.
- D. Using a door frame as a guide, draw straight lines connecting each pair of fin marks. Extend these lines 76 mm (3") along the tube. Draw a 102 mm (4") line along the tube for the launch lug.

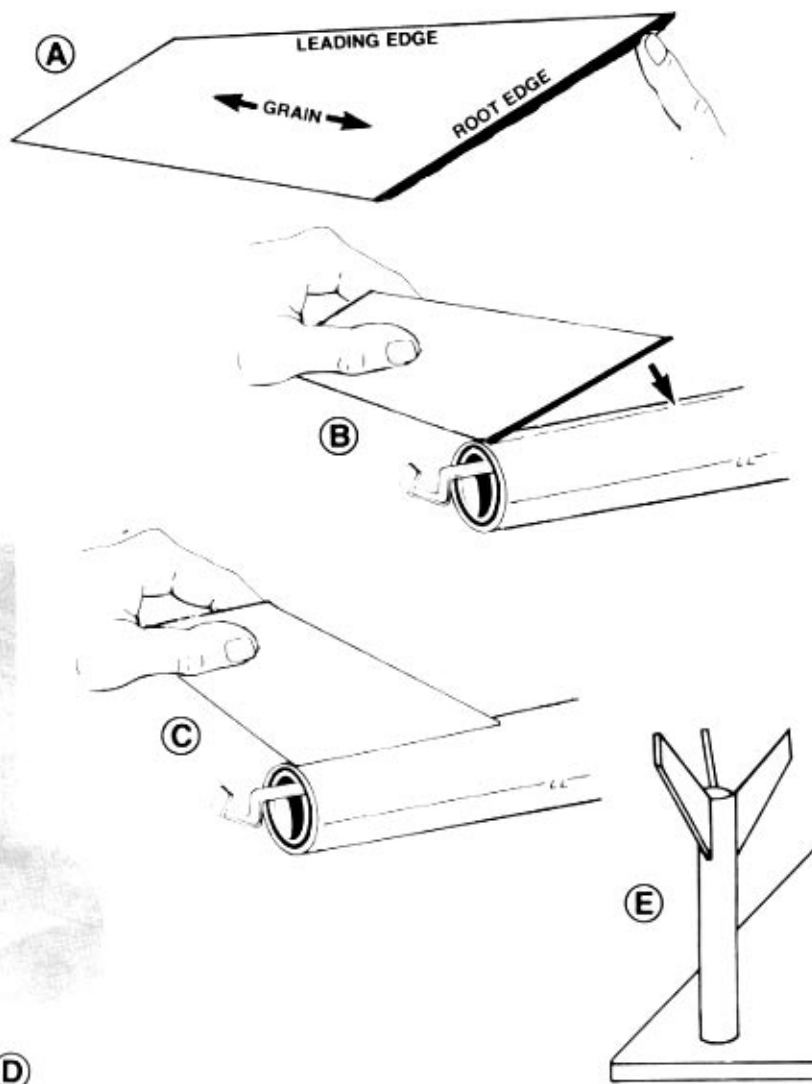


6. FIN ATTACHMENT



NOTE: Before gluing your fins, match the fin shape to the fin pattern shown in this step. Identify the root edge that will be glued to the body tube and the front (leading) edge. (The leading edge always parallels the grain of the wood for extra fin strength.) This will help you attach your fins correctly. **Remember: Fins must be attached correctly for stable flights.**

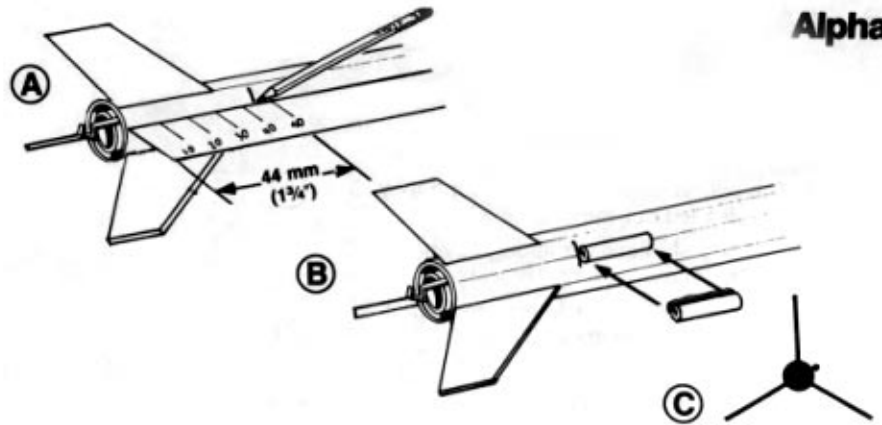
- A. Apply a thin film of glue to the root edge of one fin. Allow it to dry for a minute or two. This will make it easier to attach the fin and will create a stronger bond.
- B. Apply more glue to the same fin. Set the rear edge of the fin even with the rear end of the body tube and gently press the root edge along the body tube fin line.
- C. Carefully adjust the fin, if needed, so it will project straight up from body tube. Work slowly and carefully so as not to disturb the glue joint. Attach remaining fins in same manner. Do not set rocket on fins while glue is wet.
- D. After all fins are attached, use shaded end view to check proper fin spacing.
- E. Important: Stand rocket on table as shown. Allow fins to dry.



7. LAUNCH LUG ATTACHMENT



- A. Measure 44 mm (1¾") from rear of body tube and place a mark on the launch lug (LL) reference line. Use this mark as a starting point to attach the launch lug.
- B. Apply glue to the launch lug and attach it to the body tube.
- C. Make sure the launch lug is aligned with the body tube as shown in the end view. Allow to dry.

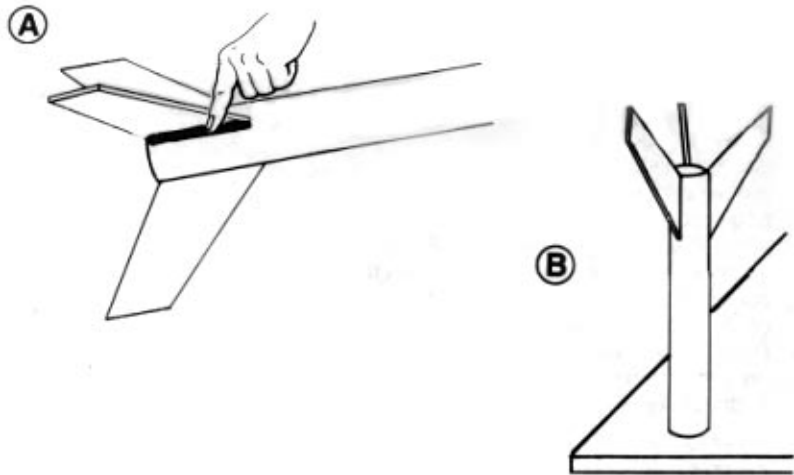


8. GLUE REINFORCEMENT DETAIL



NOTE: Glue joint reinforcements or fillets are important because they help blend the fins, launch lugs or other components into the body tube. This blending improves the looks of your model, allows smoother air flow over your rocket during flight and strengthens the attachment points.

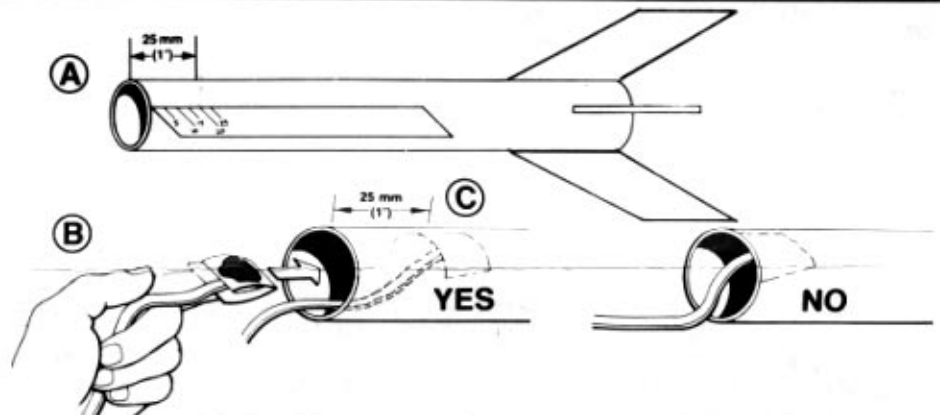
- A. Reinforce each fin/body tube joint with glue and each side of launch lug as shown. Use your finger to help smooth the glue fillet.
- B. Stand rocket on table as shown. Wipe away any excess glue that may run down the side of the body tube. Allow to dry.



9. SHOCK CORD MOUNT ATTACHMENT

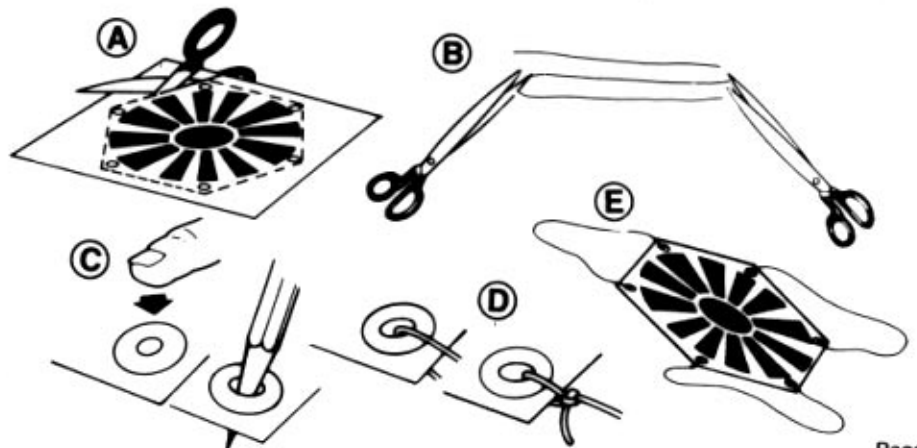


- A. Measure approximately 25 mm (1") from the front end of the body tube.
- B. Apply glue to shock cord mount and insert into tube.
- C. Set the mount back at least 25 mm (1") to allow for nose cone clearance and press mount firmly into glue as shown.
- D. Hold until glue sets.



10. PARACHUTE ASSEMBLY

- A. Cut out parachute on printed edge lines.
- B. Remove tape from shroud lines, fold and cut into three equal lengths.
- C. Attach tape rings to top of parachute and press firmly into place. Punch hole through the parachute material with the point of a sharp pencil. (Do not use a dull pencil or ballpoint pen.)
- D. Pass shroud line through hole in parachute and tape ring. Tie lines together with a double knot.
- E. Attach remaining lines to other corners to complete parachute.

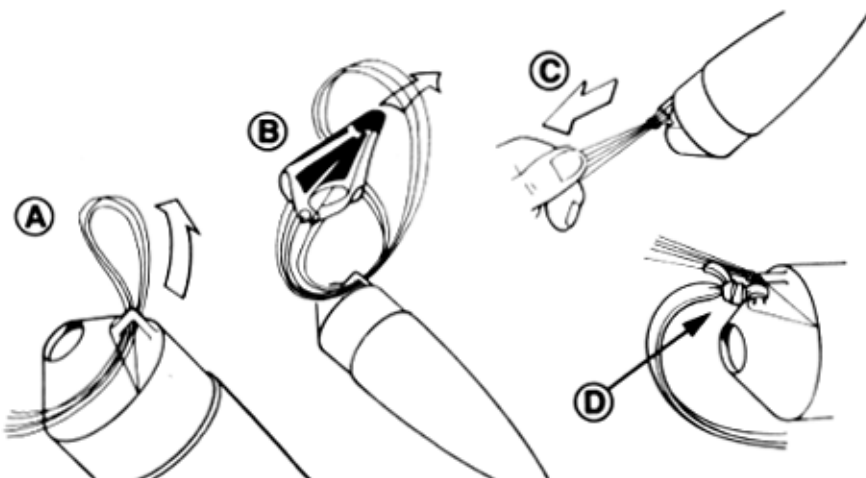


11. PARACHUTE AND SHOCK CORD ATTACHMENT TO NOSE CONE



NOTE: The plastic loop on the nose cone may need to be cleaned out with a hobby knife.

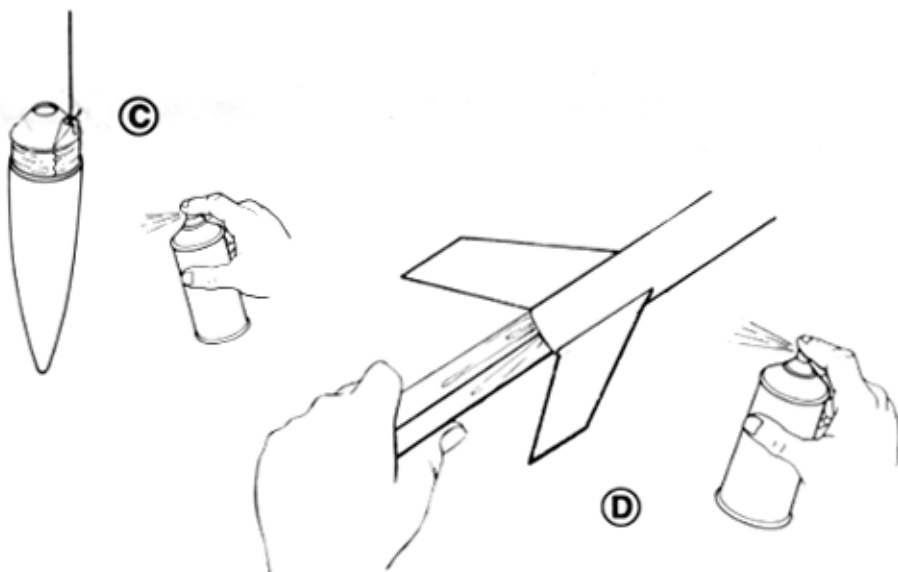
- Thread shroud lines through eyelet on nose cone.
- Pass parachute back through loop of shroud lines as shown.
- Pull lines tight.
- Tie free end of shock cord to nose cone. Use a double knot.



12. FINISHING YOUR ROCKET



- Before you paint your rocket make sure all of the glue joints are completely dry.
- Optional: For a smoother and better-looking finish, spray a coat of automotive primer on your rocket. Do not apply too much. Lightly sand the rocket with a 400 to 600 grit sandpaper. Apply another coat if needed. Sand between coats. The primer will allow the final coats of paint to adhere better to the rocket. Several light mist coats of paint are preferable. Too much paint will add to the rocket's weight.
- Refer to the illustration on the front of the color panel for paint locations and decal placement. Mask the shoulder of nose cone with tape to prevent overspray. Suspend nose cone from string and paint. Allow to dry.
- Use spray enamel to paint your model rocket. Make a handle by rolling a piece of paper. Insert it into the rocket while painting. Allow paint to dry.



- To apply decals, cut each out, dip in lukewarm water for 20 seconds, and hold until it uncurls. Refer to photograph on front panel for decal placement. Slip decal off backing sheet and onto model. Blot away excess water. For best results, let decals dry overnight, and apply a coat of clear spray to protect decals. Make sure the clear spray is compatible with the paint on your rocket.

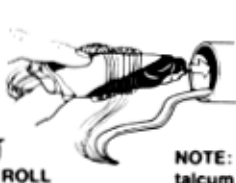
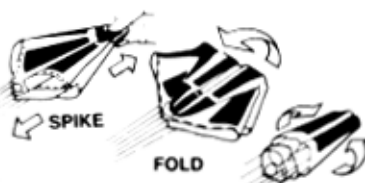
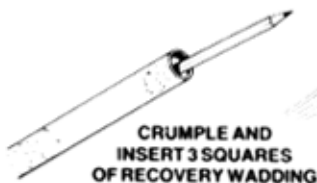
WHAT TO EXPECT WHEN FLYING YOUR ALPHA® ROCKET

The sleek and classic Alpha® with swept fins and parachute recovery is perfect for flying any time. With an Estes A8-3, the Alpha® will fly to nearly 91 meters (300 feet). With an Estes C6-7, the Alpha®'s altitude will quadruple! Don't fly it with this engine on

a breezy day or it will drift away. Watch for the brightly colored parachute as it's ejected at the apogee (the highest point in the rocket's flight). The chute will also help you find the rocket once it has landed.

ROCKET PREFLIGHT

FOLD PARACHUTE



WRAP LINES LOOSELY AROUND CHUTE. INSERT PARACHUTE IN ROCKET.

Recovery device should slide easily into body tube. If too tight, unfold and repack.

NOTE: Parachute may be dusted with talcum powder to avoid sticking.



PREPARE ENGINE

NOTE: Igniter plugs come with rocket engines. If your engines did not come with plugs, follow the instructions that came with the engines.



SEPARATE IGNITER AND IGNITER PLUG

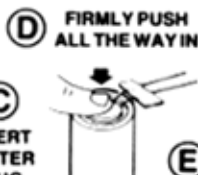
B HOLD ENGINE UPRIGHT, DROP IN IGNITER



IGNITER MUST TOUCH PROPELLANT



C INSERT IGNITER PLUG



D FIRMLY PUSH ALL THE WAY IN

E BEND IGNITER WIRES BACK



F INSERT ENGINE INTO ROCKET



LAUNCH SUPPLIES

To launch your rocket you will need the following items:

- Estes Electrical Launch Controller and Launch Pad
- Estes Recovery Wadding No. 2274
- Recommended Estes Engines: A8-3 (First Flight), A8-5, B4-4, B4-6, B6-4, B6-6, B8-5, C6-5 or C6-7

To become familiar with your rocket's flight pattern, use an A8-3 engine for your first flight. **Use only Estes products to launch this rocket.**

FLYING YOUR ROCKET

Choose a large field away from power lines, tall trees, and low flying aircraft. Try to find a field at least 76 meters (250 feet) square. The larger the launch area, the better your chance of recovering your rocket. Football fields and playgrounds are great.

Launch area must be free of dry weeds and brown grass.

Launch only during calm weather with little or no wind and good visibility.

Don't leave parachute packed more than a minute or so before launch during cold weather [colder than 4° Celsius (40° Fahrenheit)].

Parachute may be dusted with talcum powder to avoid sticking.

MISFIRES

If the igniter functions properly but the propellant does not ignite, keep in mind the following: An Estes igniter will function properly even if the coated tip is chipped. However, if the coated tip is not in direct contact with the engine propellant, it will only heat and not ignite the engine.

When an ignition failure occurs, remove the safety key from the launch control system and wait one minute before approaching the rocket. Remove the expended igniter from the engine and install a new one. Be certain the coated tip is in direct contact with the engine propellant, then reinstall the igniter plug as illustrated above. Repeat the countdown and launch procedure.

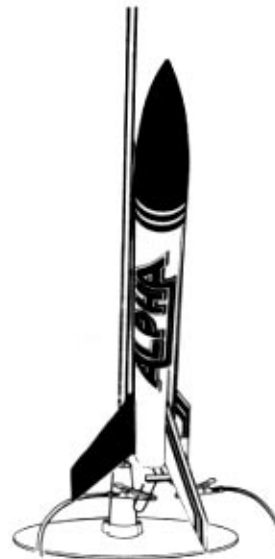
FOR YOUR SAFETY AND ENJOYMENT

Always follow the NAR* MODEL ROCKETRY SAFETY CODE while participating in any model rocketry activities.

*National Association of Rocketry

SAFETY KEY MUST NOT BE IN LAUNCH CONTROLLER WHEN ATTACHING MICRO-CLIPS TO ENGINE IGNITERS

MICRO-CLIPS MUST NOT TOUCH BLAST DEFLECTOR OR EACH OTHER



COUNTDOWN AND LAUNCH

- 10 BE CERTAIN SAFETY KEY IS NOT IN LAUNCH CONTROLLER.
- 9 Remove safety cap and slide launch lug over launch rod to place rocket on launch pad. Make sure the rocket slides freely on the launch rod.
- 8 Attach micro-clips to the igniter wires. Arrange the clips so they do not touch each other or the metal blast deflector. Attach clips as close to protective tape on igniter as possible.
- 7 Move back from your rocket as far as launch wire will permit (at least 5 meters - 15 feet).
- 6 INSERT SAFETY KEY to arm the launch controller.

Give audible countdown 5...4...3...2...1

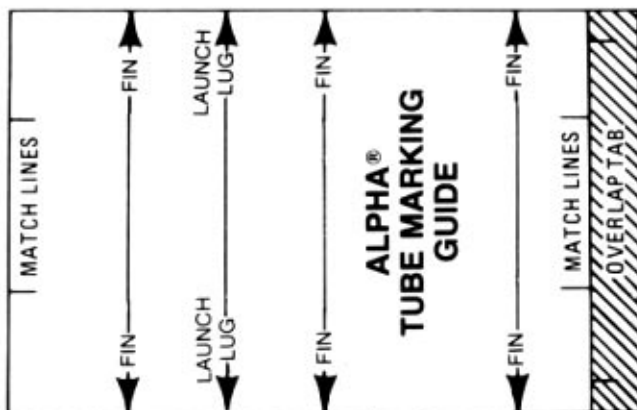
LAUNCH!!

PUSH AND HOLD LAUNCH BUTTON UNTIL ENGINE IGNITES

REMOVE SAFETY KEY FROM LAUNCH CONTROLLER. KEEP SAFETY KEY WITH YOU OR REPLACE SAFETY KEY AND SAFETY CAP ON LAUNCH ROD.

If you use the ultrasafe E2™ or Command™ Launch Controllers to fly your models, use the following launch steps.

- After attaching micro-clips, etc., insert the safety key into the controller receptacle. If the igniter clips have been attached properly to the igniter, the red L.E.D. will now begin to flash on and off and the audio continuity indicator will beep on and off.
- Hold the yellow (left) arm button down. The L.E.D. will stop flashing and the audio indicator will produce a steady tone.
- Verbally count down from five to zero loud enough for the bystanders to hear. Still holding the yellow arm button down, push and hold the orange (right) button down until the rocket ignites and lifts off.



PATTERNS SECTION

