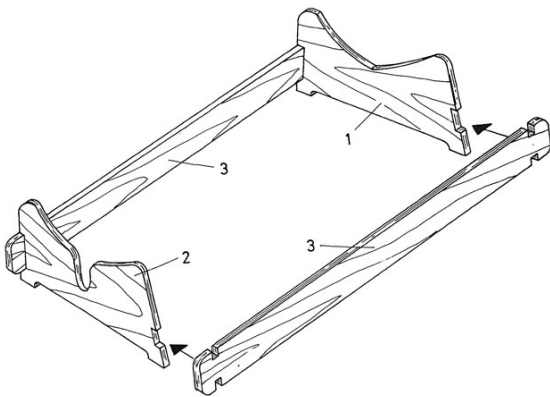




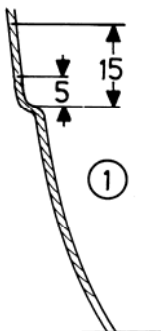
Felix Building Instructions

Art. No. 20300

1. Assemble the boat stand from parts 1-2-3 as shown on the small plan.



2. Prepare the hull by trimming as shown on the small plan Drawing 1. Carefully remove the excess material sand carefully down to the final height of 5mm and shape the bow as shown.



3. Lightly sand the inside of the hull to provide a key for the deck 5. Fit the deck and sand if required to ensure a snug fit. When this is achieved Epoxy glue

the deck in position. (See hull sections BB & CC for position.)

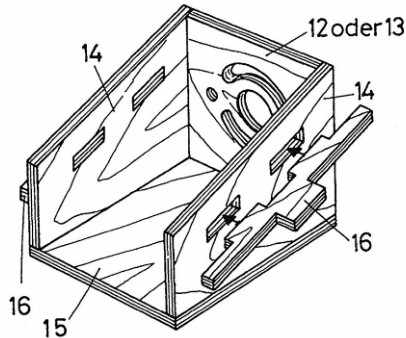
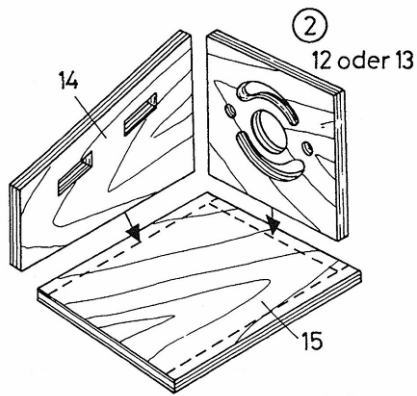
For the following sequence refer to the main drawing

4. Parts 6-7. Fit the engine cover, coamings and rear access hatch coamings under the lower deck.

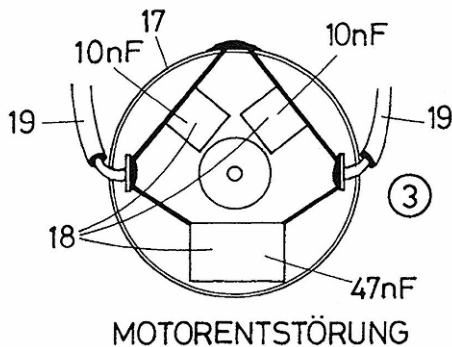
5. Part 9. Fit the rear upper deck support and glue.

6. Part 10. Fit the seat supports and glue.

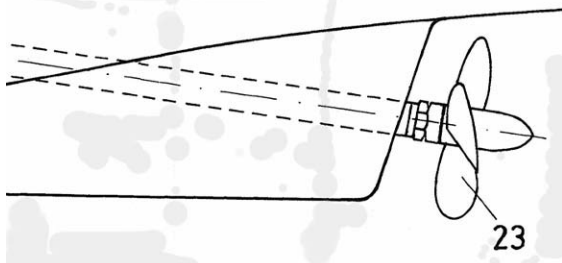
7. Part 11. Check and fit the rear deck hatch.



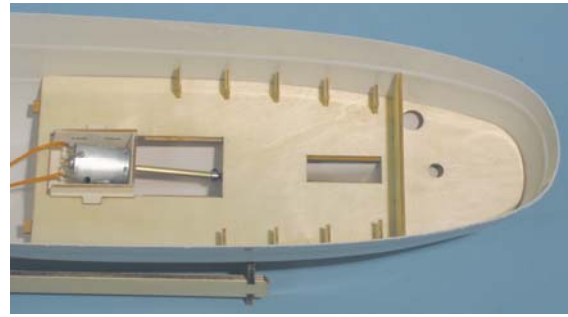
8. Parts 12 to 16. Assemble the motor mount as shown on drawing 2.



Then refer to drawing 3. Solder on the motor wires and suppression capacitors. Screw the motor to the mount with the screws provided.

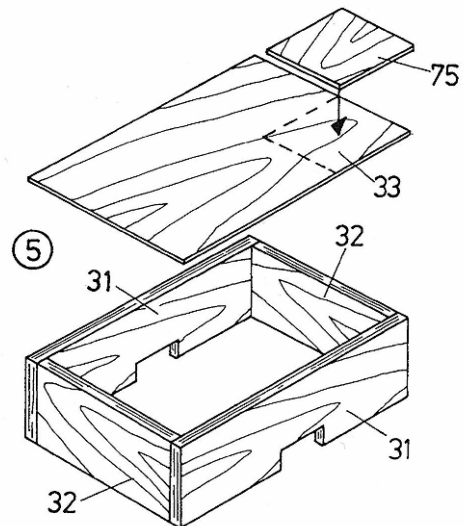


9. Parts 21 to 28. Carefully drill the hull to accept the prop shaft, use an undersize drill and file to fit. Insert the shaft and tube and with the motor in position coupling 26 as an aligning jig to ensure complete accuracy.



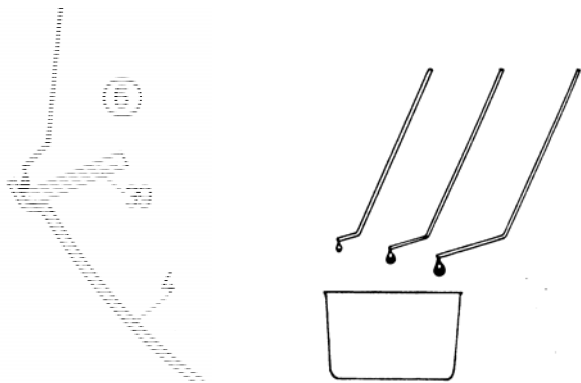
Carefully drill pilot holes for the motor mount screws and screw the mount in position. When fixed Epoxy glue the shaft and support 28 in position.

10. Parts 29 to 33. Place the forward locker cover 29 in the lower deck to the rear of the removable engine cover. Glue the main engine room coaming 30 in place.

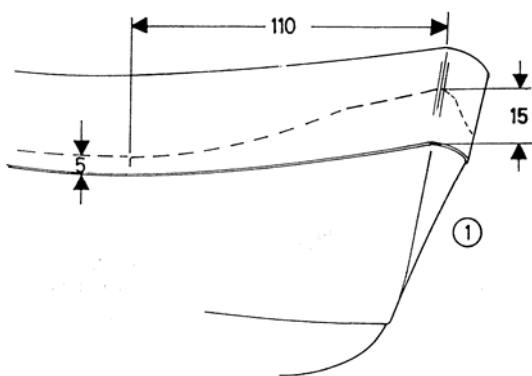


Assemble the engine room cover as shown in drawing 5. Part 75 door step panel can be fitted later after painting.

11. Parts 34 to 38. Mark and drill a hole for the rudder shaft 35. The rudder tube 34 rests on the hull and should be epoxied in place. Make up the rudder and sand to the profile as shown on the plan. Fit the rudder in place and fit the servo control arm 104.



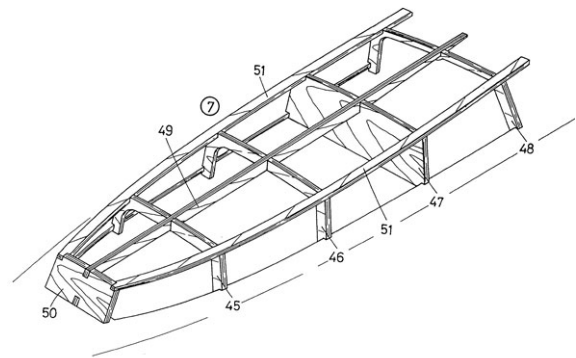
12. Part 39. The main deck can now be fitted and glued into place. When dry sand the hull to until the edges are flush with the deck.



13. Parts 40 to 43. Fit the rear deck edge' 40 into position to support the rear deck cover 41 Glue the forward hatch cover 42 to the deck. Fit and glue in place the deck bulkhead 43.



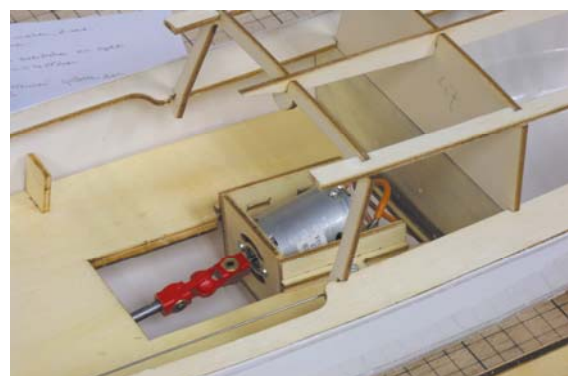
Before proceeding We recommend you paint and detail the hull at this stage.



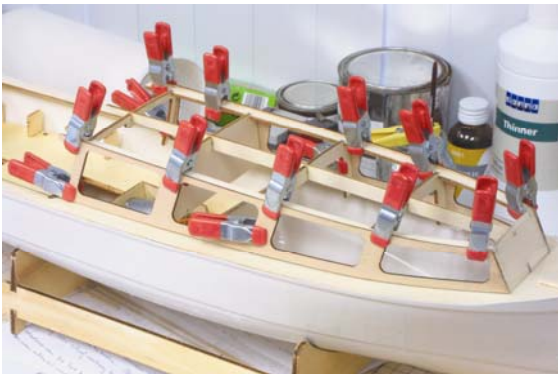
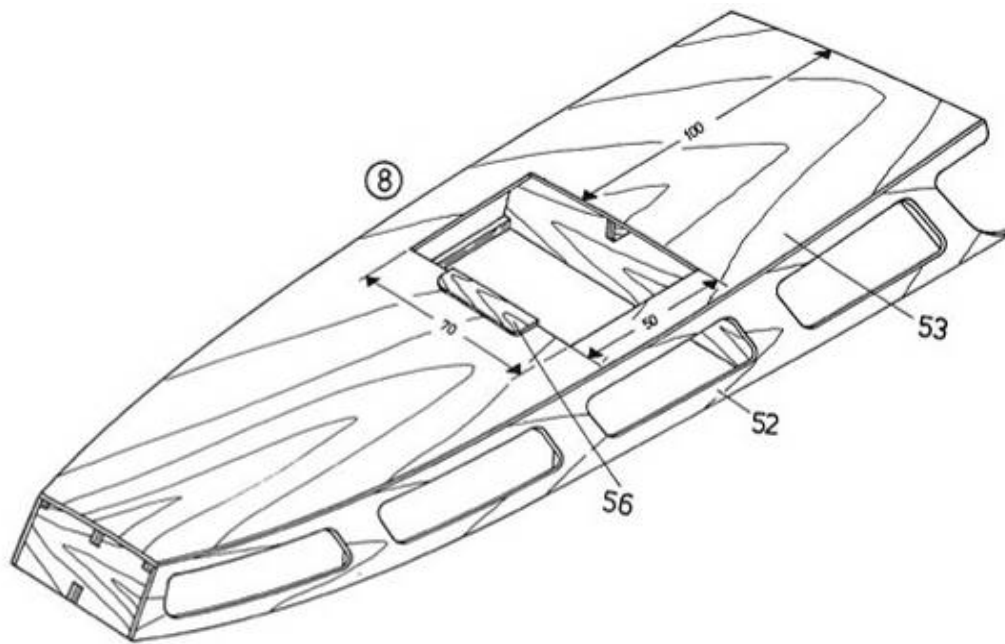
14. Parts 45 to 55. Assemble the cabin frame as shown in drawing above.



Place in position on the main deck and leave to dry.



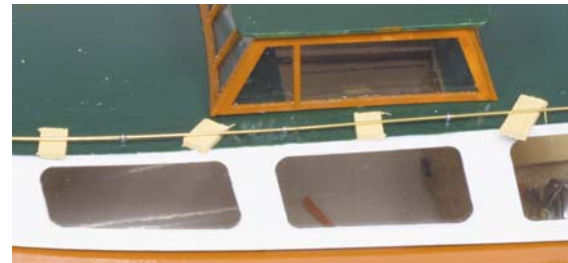
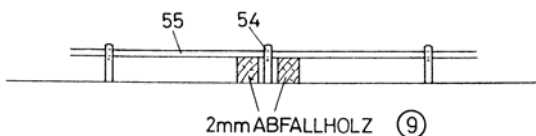
When the glue has dried, fit and glue in position the cabin sides 52. Carefully mark out the roof panel as dimensioned in drawing 8.



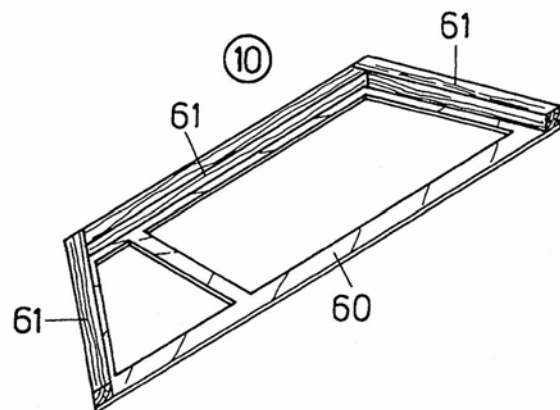
Fix the roof to the cabin. When dry cut out the roof as marked and also remove the centre spar. Paint the cabin, inside and out to your chosen colour scheme.



Drill the roof for the hand rail supports 54 fix these in position allowing a 2 mm gap from the roof. Fit and glue the hand rail 55.



15. Parts 56 to 59. Fit, in position the ships wheel and support screw the wheel to the support with screw no 59



16. Parts 60 to 65. Construct the bridge as shown on the main drawing and drawing 10. Leave the bridge in a natural, wood finish. Paint the roof to match the Cabin roof.

17. Part 66. Glaze the main cabin and the bridge using the supplied template. (Glue with PVA wood glue).

18. Parts 67 to 72. Fix in position the seats and back supports as shown on drawing section C-C. The seat and back supports should be varnished.

19. Parts 73 to 74. Carefully assemble and glue the two sets of steps. Satin varnish when dry.

20. Parts 76 to 78. Fix the doors to the removable cabin. Fix on the door handles.

21. Parts 79 to 81. Assemble and fix in place the battery holder as shown on the main drawing.

22. Parts 82 to 84. Assemble the vent pipe. Paint and fix in position.

23. Parts 85 to 95. Pre Paint and stain as necessary all the mast components. Taper the mast as required until the lamp fit in the position shown. Mount the mast in the base support lock the mast in position using two pins 92. See the main drawing for the mast assembly. Drill the mast for the boom. The boom end is drilled and a piece of brass wire inserted. The wire is inserted into the mast.

24. Parts 96 to 102. All the small fittings can be painted and fixed in the positions indicated on the main drawing. Drill a hole in the deck for fixing the flag staff and epoxy glue in position.

25. Parts 104 to 106. These components should be fitted as shown on the drawing to your radio control servo.

Stickers and letters

The letters are cut from weatherproof self adhesive foil. Cut out the full word from the foil and then tear off the rest material around the letters. To leave the letters in exactly the same distance to each other, when removing the support material, glue some tape over the letters, which you can tear off later. The letters do not need to be covered 100%. It is advisable to leave the upper or lower edges of the letters free for exact positioning of the letters. Then carefully tear off the support material and place the letters exactly into place. Finally remove the tape carefully from the letters.



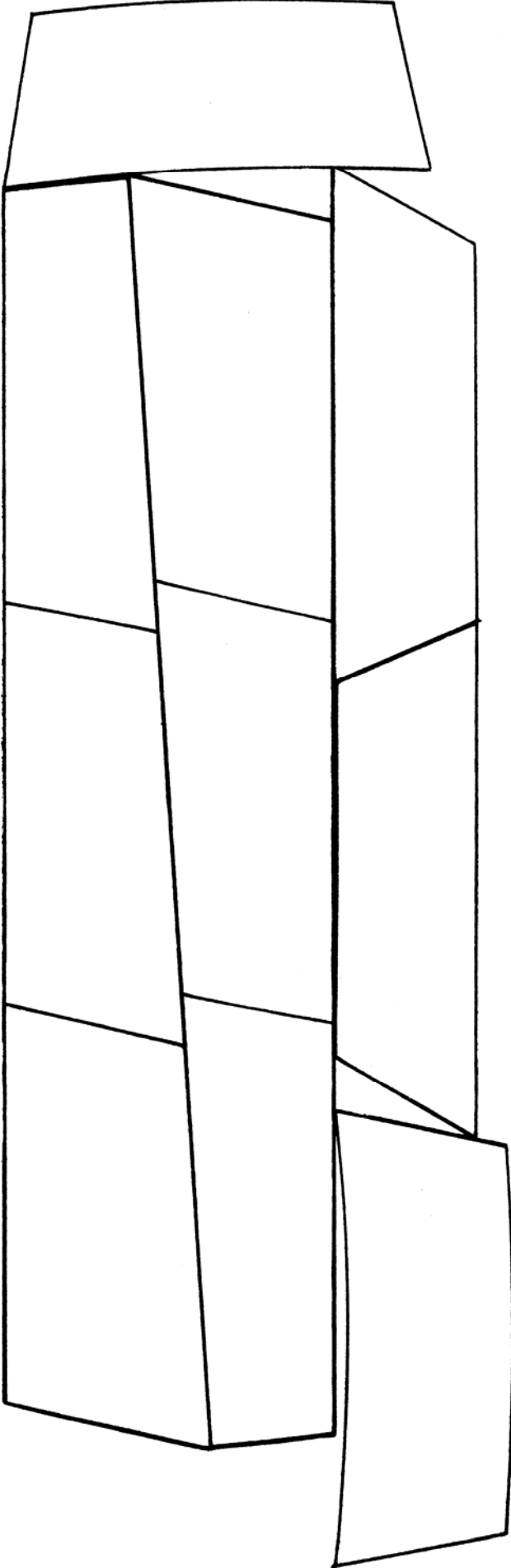
Klaus Krick Modelltechnik
Industriestrasse 1
D-75438 Knittlingen
E-Mail: Service@Krick-Modell.de

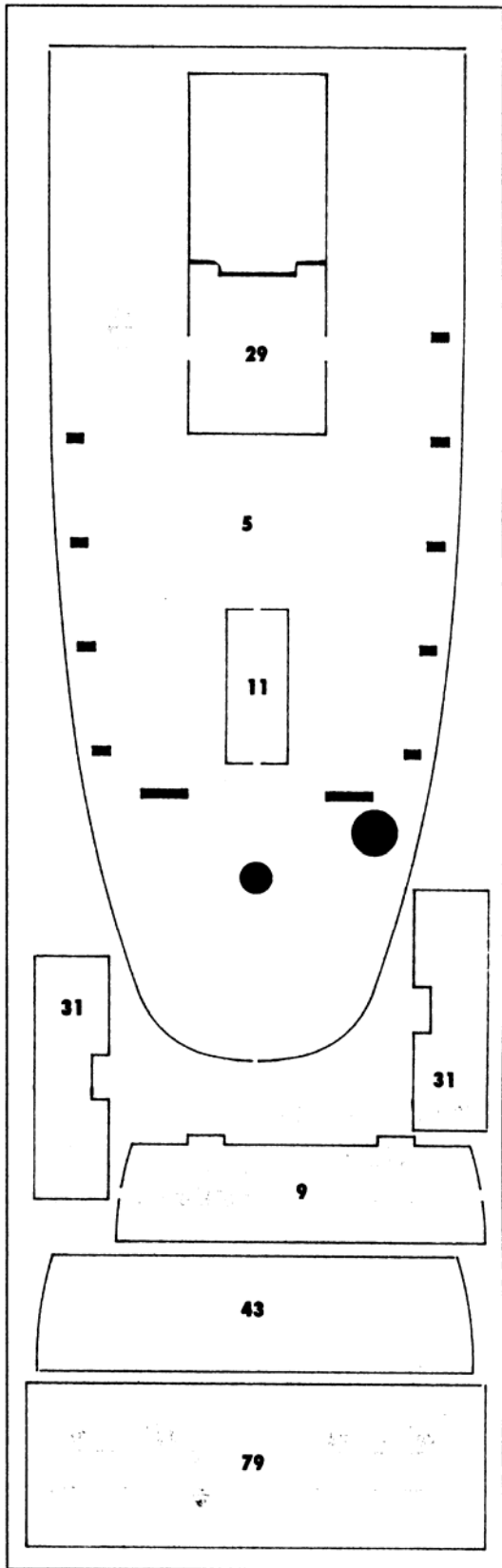
Partslist

No.	Description	Qty.	Material	Location
1	Stand (bow)	1	5 mm Ply	Sheet 5
2	Stand (stern)	1	5 mm Ply	Sheet,5
3	Stand Sides	2	5 mm Ply	Sheet 5
4	Hull	1	ABS	
5	Deck (mid section)	1	3 mm Ply	Sheet 2
6	Engine cover coamings	2	1 mm Ply	Sheet 3
7	'Rear Deck coaming	2	1 mm Ply	Sheet 3
8	Rear Deck end coaming	2	1 mm Ply	Sheet 3
9	Rear Upper Deck support	1	3 mm Ply	Sheet 2
10	Seat Supports	9	3 mm Ply	Sheet 1
11	Rear Deck Hatch Cover	1	3 mm Ply	Sheet 2
12	385 Motor Holder	1	3 mm Ply	Sheet 1
13	540 Motor Holder	1	3 mm Ply	Sheet 1
14	Motor Side Supports	2	3 mm Ply	Sheet 1
15	Motor Base	1	3 mm Ply	Sheet 1
16	Side Fittings (Motor)	2	3 mm Ply	Sheet 1
17	Motor	1		Bag
18	Electrics Pack	1	Various	Bag
19	Wire	2		Bag
20	Motor Support Screws	3	Screws 2 mm x 6mm	Bag
21	Prop Tube + Shaft	1		
22	Locking Collar	1	JT. Ring	Bag
23	Prop 40 mm, 3 Blade	1	Plastic	Bag
26	Coupling	1		Bag
27	Motor Mount Screws	2	2,2 x 9,5 mm	Bag
28	Prop Shaft,Support	1	3 mm Ply	Sheet 1
29	Forward Locker Cover (Mid)	1	3 mm Ply	Sheet 2.
30	Engine Cover Coaming (Fwd)	1	3 mm x 3 mm x 52 mm	Loose
31	Engine Cover Sides	2	3 mm Ply	Sheet 2
32	Engine Cover Ends	2	3 mm Ply	Sheet 1
33	EngineCover Top	1	1 mm Ply	Sheet 3
34	Rudder Tube	1	Brass 4mm	Bag
35	Rudder Shaft Brass Rod	1	3 mm x 85 mm	Bag
36	Rudder Centre	1	3 mm Ply	Sheet 1
37	Rudder	2	1 mm Ply	Sheet 3
38	Rudder Support Lower Deck	1	1 mm Ply	Sheet 3
39	Main Deck	1	3 mm Ply	Sheet 1
40	Rear Deck Edge	1	1 mm Ply	Sheet 3
41	RearDeck Cover	1	3 mm Ply	Sheet 1
42	Forward Hatch 'Cover (Bow)	1	3 mm Ply	Sheet 1
43	Upper Deck.Bulkhead	1	3 mm Ply	Sheet 2
44	Steel Wire	1	0,8 x 330 mm	Bag
45	Cabin Support	1	3 mm Ply	Sheet 1
46	Cabin Support	1	3 mm Ply	Sheet 1
47	Cabin Support	1	3 mm Ply	Sheet 1
48	Cabin Support	1	3 mm Ply	Sheet 1
49	Cabin Support	1	3 mm Ply	Sheet 1
50	Cabin Front	1	3 mm Ply	Sheet 1
51	Cabin Side Stringers	2	3 mm Ply	Sheet 1
52	Cabin Sides	2	1 mm Ply	Sheet 3
53	Cabin Roof	1	1 mm Ply	Sheet 3
54	Handrail Supports	14	Split Pin	Bag
55	Hand Rail	2	Steel 1 x 320mm	Bag
56	Ships Wheel Support	1	Wood	Sheet 4
57	Ships Wheel Support	1	Wood	Sheet 4
58	Ships Wheel	1	Plastic	Bag
59	Fixing Screw	1	2,2 x 9,5mm	Bag
60	Bridge -,Sides	2	Wood	Sheet 4
61	Window Edging	6	Strip wood 2 x 2 x 270 mm	
62	Bridge Front	1	Wood	Sheet 4

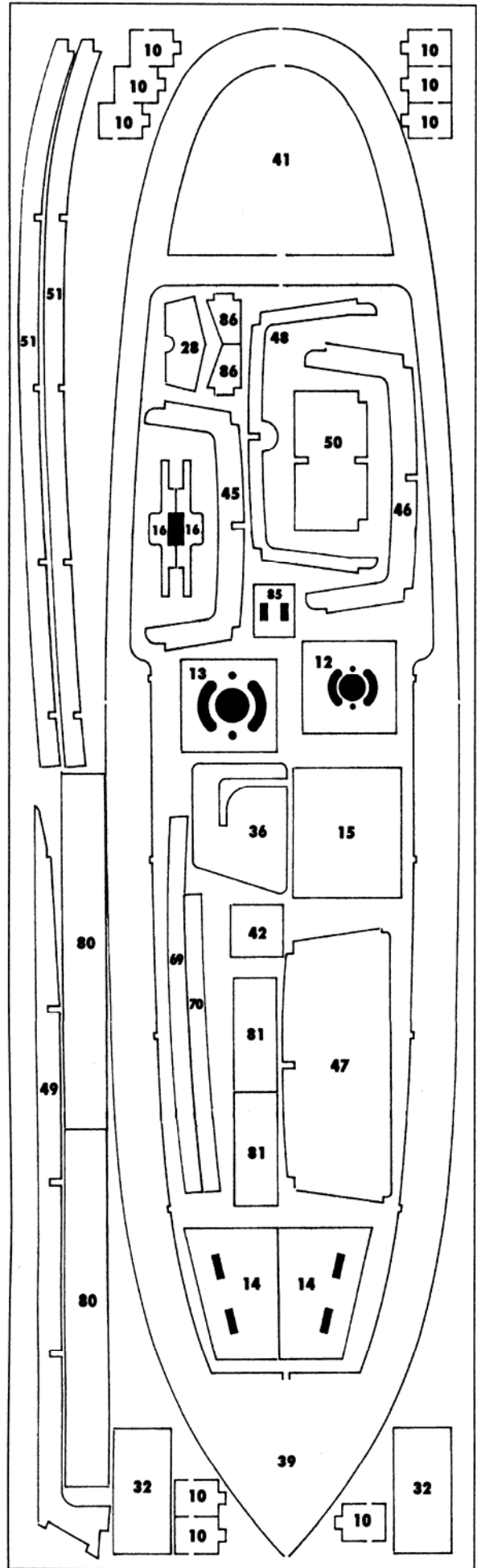
No.	Description	Qty.	Material	Location
63	Bridge Rear	1	Wood	Sheet 4
64	Window Edging	2	Strip Wood 2 x 2 x 140 mm	
65	Cabin Roof	1	1 mm Ply	Sheet 3
66	Glazing	1	PVC Sheet	Loose
67	Seat (Starboard)	1	Wood	Sheet 4
68	Seat (Port)	1	Wood	Sheet 4
69	Seat Back Support (Starboard) 1	1	3 mm Ply	Sheet 1
70	Seat Back Support (Port)	1	3 mm Ply	Sheet 1
71	Seat Back (Starboard)	1	Wood	Sheet 4
72	Seat Back (Port)	1	Wood	Sheet 4
73	Step Sides	4	Wood	Sheet 4
74	Step Treads	6	Wood	Sheet 4
75	Door Step Down Panel	1	Wood	Sheet 4
76	Cabin Door (small)	1	Wood	Sheet 4
77	Cabin Door (large)	1	wood	Sheet 4
78	Door Handles	2	Brass Pins	
79	Battery Holder Base	1	3mm Ply	Sheet 2
80	Battery Holder Side	1	3 mm Ply	Sheet 1
81	Battery Holder End	2	3 mm Ply	Sheet 1
82	Vent Stem	1	Dowel 8 x 32 mm	Bag
83	Vent Top	1	Dowel 12 x 8 mm	Bag
84	Vent Fixing Screw	1	2,2 x 9,5mm	Bag
85	Mast Base Support	1	3 mm Ply	Sheet 1
86	Support Sides	2	3 mm Ply	Sheet 1
87	Mast	1	Dowel 5 mm x 140 mm	Bag
88	Mast Boom	1	Dowel 2 mm x 40 mm	Bag
89	Lamp Support	1	1 mm Ply	Sheet 3
90	Lamp Support	1	1 mm Ply	Sheet 3
91	Mast Top	1	Wood Disc	Bag
92	Brass Rod Fixing Pins	3	1 mm x 60mm	Bag
93	Flag	1	Cloth	Bag
94	Cordage	1	1 mm x 200 mm Black	Bag
95	Mast Lamps	2	Plastic	Bag
96	Stern Lamp	1	Plastic	Bag
97	Search Lamp & Base	2	Plastic	Bag
98	Claxon	1	Plastic	Bag
99	Navigation Light Boxes	1 pair	Plastic	Bag
100	Life Belts	3	Plastic	Bag
101	Bollards	6	Plastic	Bag
102	Flag Pole	1	Plastic	Bag
103	Name Plates (FELIX)	2	Transfer	Loose
104	Tiller Arm	1	Plastic	Bag
103	Control Rod	2	Metal	Bag
106	Collar	1	Metal	Bag

Pattern for cutting the windows from clear material



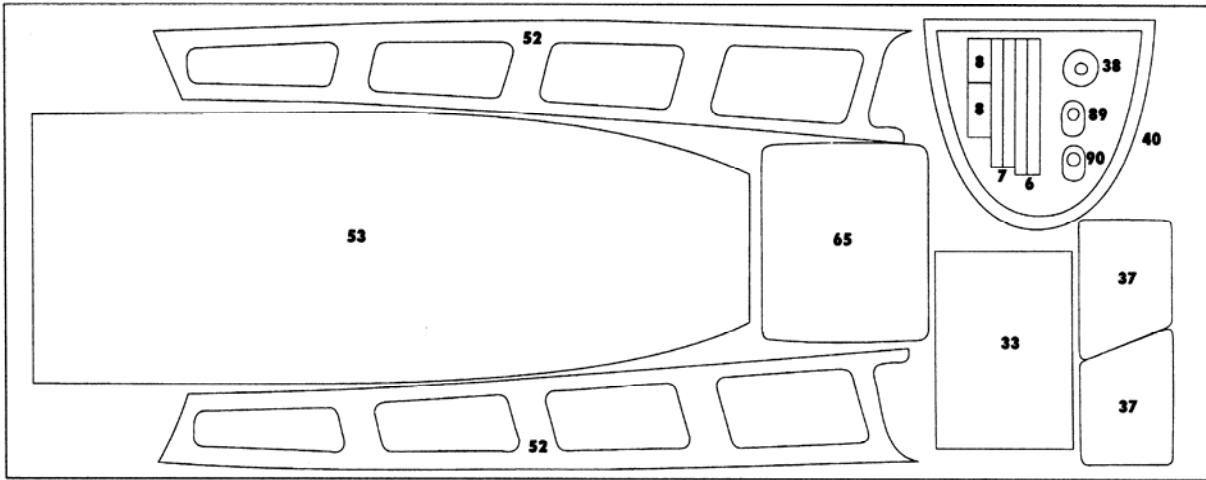


②

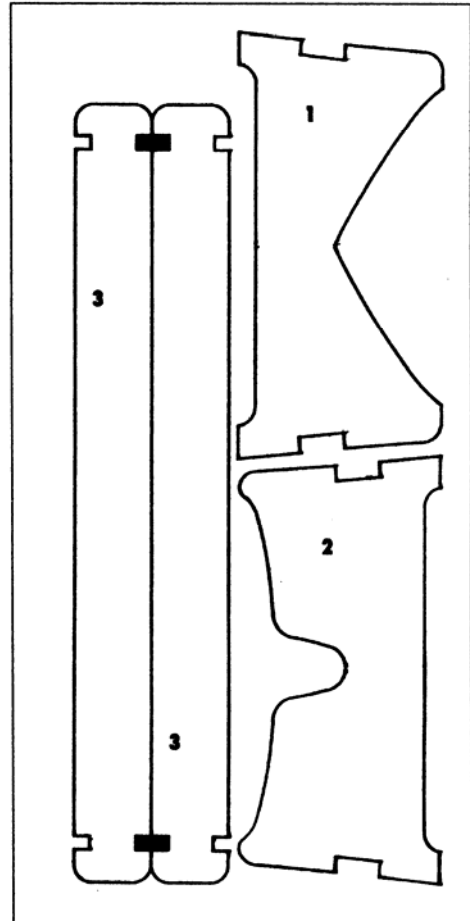


①

3



5



4

