

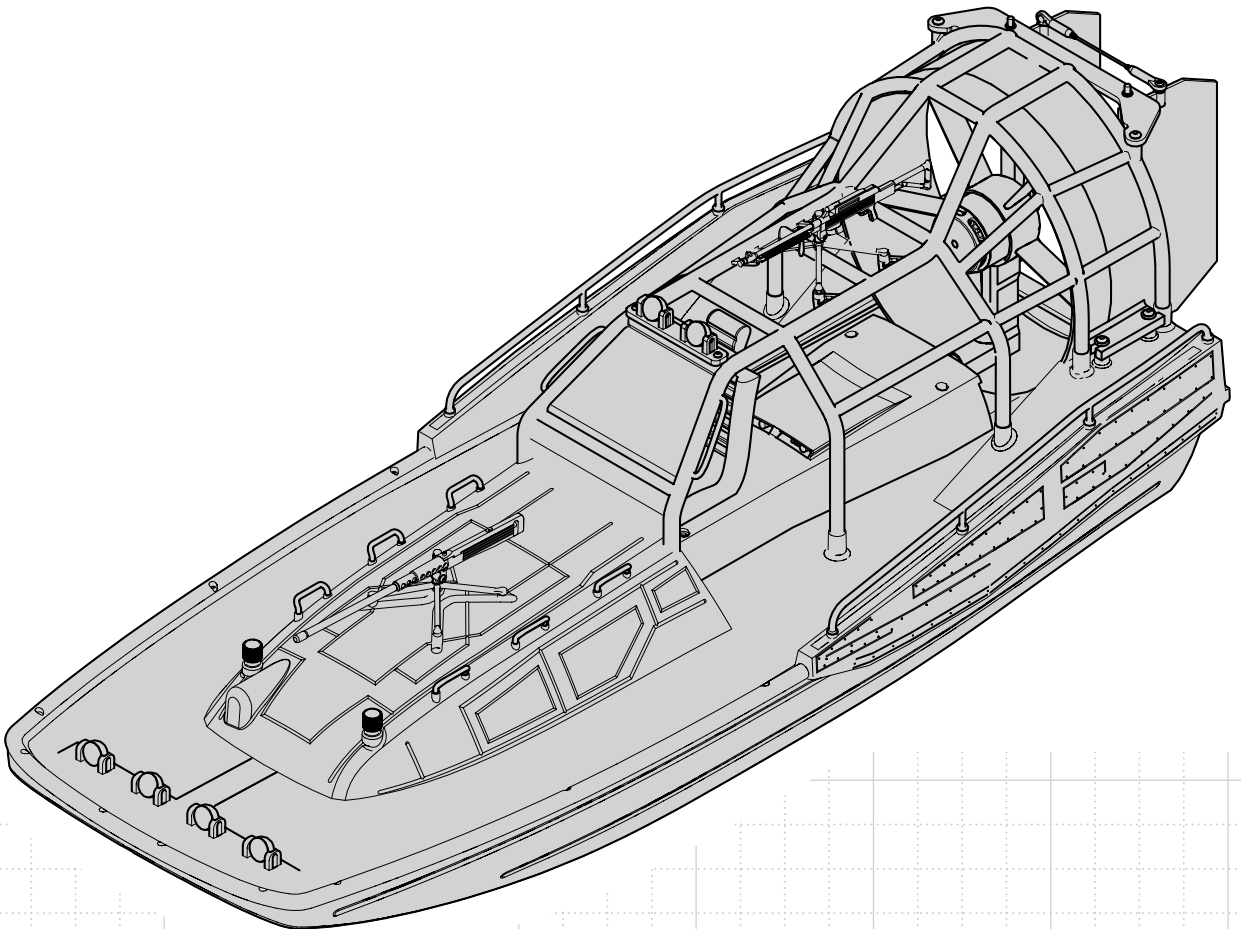
AERO 'TROOPER™


PROBOAT™
ProBoatModels.com

PRB08034

25-INCH BRUSHLESS AIR BOAT

Instruction Manual • Bedienungsanleitung • Manuel de l'utilisateur • Manuale dell'utente



Battery and Charger Not Included

NOTICE

All instructions, warranties and other collateral documents are subject to change at the sole discretion of Horizon Hobby, LLC. For up-to-date product literature, visit <http://www.horizonhobby.com> and click on the support tab for this product.

MEANING OF SPECIAL LANGUAGE

The following terms are used throughout the product literature to indicate various levels of potential harm when operating this product:

WARNING: Procedures, which if not properly followed, create the probability of property damage, collateral damage, and serious injury OR create a high probability of superficial injury.

CAUTION: Procedures, which if not properly followed, create the probability of physical property damage AND a possibility of serious injury.

NOTICE: Procedures, which if not properly followed, create a possibility of physical property damage AND little or no possibility of injury.



WARNING: Read the ENTIRE instruction manual to become familiar with the features of the product before operating. Failure to operate the product correctly can result in damage to the product, personal property and cause serious injury.

This is a sophisticated hobby product and NOT a toy. It must be operated with caution and common sense and requires some basic mechanical ability. Failure to operate this Product in a safe and responsible manner could result in injury or damage to the product or other property. This product is not intended for use by children without direct adult supervision. Do not use with incompatible components or alter this product in any way outside of the instructions provided by Horizon Hobby, LLC. This manual contains instructions for safety, operation and maintenance. It is essential to read and follow all the instructions and warnings in the manual, prior to assembly, setup or use, in order to operate correctly and avoid damage or serious injury.

Age Recommendation: Not for children under 14 years. This is not a toy.

Safety Precautions and Warnings

As the user of this product, you are solely responsible for operating in a manner that does not endanger yourself and others or result in damage to the product or the property of others.

- When handling and/or transporting your boat, always pick up the boat from the sides, keeping all moving parts pointed away from you.
- Always keep a safe distance in all directions around your model to avoid collisions or injury. This model is controlled by a radio signal subject to interference from many sources outside your control. Interference can cause momentary loss of control.
- Always operate your model in open spaces away from full-size vehicles, traffic and people.
- Always carefully follow the directions and warnings for this and any optional support equipment (chargers, rechargeable battery packs, etc.).
- Always keep all chemicals, small parts and anything electrical out of the reach of children.
- Always avoid water exposure to all equipment not specifically designed and protected for this purpose. Moisture causes damage to unprotected electronics.
- Never place any portion of the model in your mouth as it could cause serious injury or even death.
- Never operate your model with low transmitter batteries.

Water-Resistant Boat with Waterproof Electronics

Your new Horizon Hobby boat has been designed and built with a combination of waterproof and water-resistant components to allow you to operate the product in calm, fresh water conditions.

While the entire boat is highly water-resistant, it is not completely waterproof and your boat should NOT be treated like a submarine. The various electronic components used in the boat, such as the servo(s) and receiver are waterproof, however, most of the mechanical components are water-resistant and require additional maintenance after use.

Metal parts, including the bearings, pins, screws and nuts, propeller, rudder, rudder mounts, prop struts, as well as the contacts in the electrical cables, will be susceptible to corrosion if additional maintenance is not performed after running in wet conditions. To maximize the long-term performance of your boat and to keep the warranty intact, the procedures described in the "Wet Conditions Maintenance" section must be performed regularly.



CAUTION: Failure to exercise caution while using this product and complying with the following precautions could result in product malfunction and/or void the warranty.

General Precautions

- Read the **WET CONDITIONS MAINTENANCE** procedures and make sure that you have all the tools you will need to properly maintain your boat.
- Not all batteries can be used in wet conditions. Consult the battery manufacturer before use. Caution should be taken when using Li-Po batteries in wet conditions.
- Most transmitters are not water-resistant. Consult your transmitter's manual or the manufacturer before operation.
- Never operate your transmitter or boat when lightning is present.
- Salt water is very conductive and highly corrosive. If you choose to run your boat in salt water, immediately rinse the boat in fresh water after each use. Operating your boat in salt water is at the sole discretion of the modeler.

Wet Conditions Maintenance

- Drain any water that has collected in the hull by removing the drain plug or canopy and tilting the boat in the appropriate direction to drain the water.



CAUTION: Always keep hands, fingers, tools and any loose or hanging objects away from rotating parts.

- Remove the battery pack(s) and dry the contacts. If you have an air compressor or a can of compressed air, blow out any water that may be inside the recessed connector housings.
- Dry and lubricate parts after every 30 minutes of operation or if the boat becomes submerged.

NOTICE: Never use a pressure washer to clean your boat.

- Use an air compressor or a can of compressed air to dry the boat and help remove any water that may have gotten into small crevices or corners.
- Spray the bearings, fasteners and other metal parts with a water-displacing light oil or lubricant.
- Let the boat air dry before you store it. Water (and oil) may continue to drip for a few hours.

Specifications

Length	25 in (635mm)
Beam	10.5 in (266.7mm)
Transmitter	STX2® 2CH (SPMSTX200)
Receiver	SRX200 2CH (SPMMRX200)
Hull Material	Nylon Composite
Motor	Dynamite® 2080Kv BL Outrunner (DYNAM3954)
ESC	90A BL Marine ESC 2–4S (DYNAM3870)
Servo	3KG Servo, Metal WP, 23T (SPMS603)
Batteries	4 AA batteries for the transmitter (sold separately) 11.1V 5000mAh 3S 50C LiPo battery (DYNB3803EC) –or– 14.8V 5000mAh 4S 50C LiPo battery (DYNB3804EC) for the boat (each sold separately)

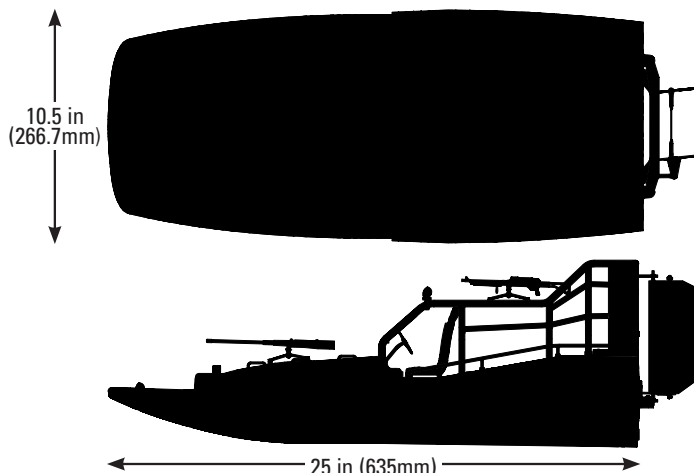


Table of Contents

Water-Resistant Boat with Waterproof Electronics	2
General Precautions	3
Wet Conditions Maintenance	3
Specifications.....	3
Product Inspection	3
Box Contents.....	4
Recommended Tools and Materials.....	4
Placing the Decals	4
Battery and Charger.....	4
Installing the Battery Pack.....	4
Antenna Tube Installation.....	5
Transmitter Controls.....	5
Installing Transmitter Batteries.....	5
Low Voltage Cutoff (LVC).....	6
Getting Started	6
Control Check.....	6
Testing Your Boat in the Water	7
Boating Tips	7
When You Are Finished.....	7
After Boating and Maintenance.....	8
Binding.....	8

Product Inspection

Carefully remove the boat and radio transmitter from the box. Inspect the boat for damage. If your product is damaged, please contact the hobby shop where you purchased your boat, or contact Product Support. Refer to the Warranty and Service Contact Information section for more info.

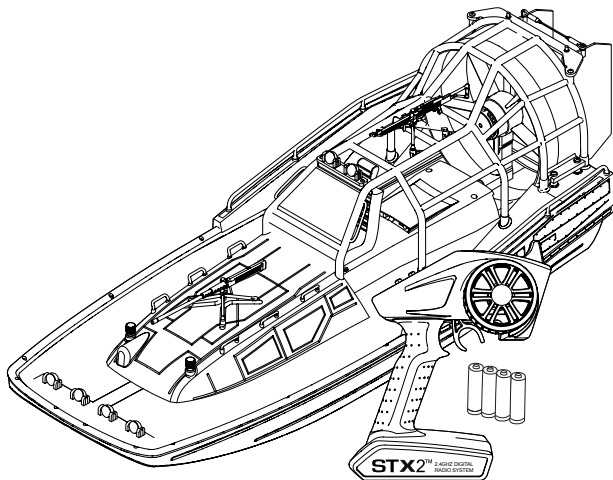
Failsafe	8
Throttle Range Calibration	8
ESC Programming Procedure.....	9
Motor Care.....	9
Removing the Cage	9
Replacing the Propeller	10
Accessing the Electronics	10
Troubleshooting Guide.....	11
Limited Warranty	12
Warranty and Service Contact Information.....	13
FCC Information	13
IC Information	13
Compliance Information for the European Union.....	13
Instructions for Disposal of WEEE.....	14
Replacement Parts.....	50
Optional Parts	50

Box Contents

- Pro Boat® Aerotrooper™ 25-Inch Brushless RTR Air Boat
- Spektrum STX2® 2CH Transmitter (SPMSTX200)
- Spektrum MRX200 2CH Receiver (SPMMRX200)
- Pro Boat® 90A Brushless Marine ESC (DYNAM3870)
- Spektrum 3KG Metal, Waterproof 23T Servo (SPMS603)
- Dynamite 2080KV Outrunner Motor (DYNAM3954)

Recommended Tools and Materials

- Needle nose pliers
- Paper towel
- Rubbing alcohol
- Phillips screwdriver: #1, #2
- Hex drivers: 1.5mm and 2mm
- Clear tape (DYNAM0102)
- Pro Boat® Marine Grease and Gun (DYNE4200)

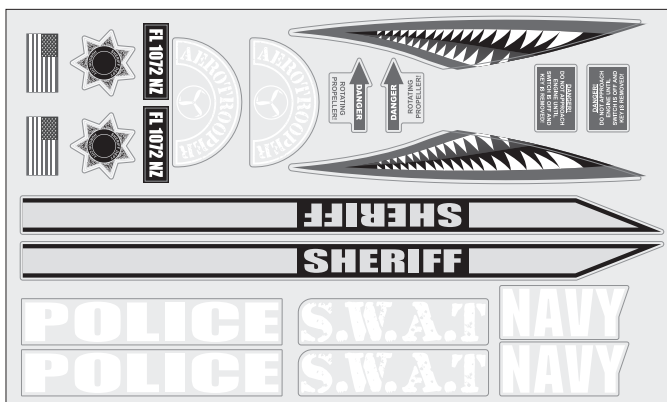


Placing the Decals

1. Wipe the boat surface with a clean, microfiber cloth.
2. Wipe the boat surface with rubbing alcohol, and customize the Aero Trooper with the included decals.

Tip: Refer to the boat pictured on the box for inspiration when customizing your boat.

To order more decals use *PRB289004, Decals: Aerotrooper 25-inch Air Boat*.



Battery and Charger

Choose a charger designed to charge the recommended Dynamite® Reaction® 11.1V 5000mAh 3S 50C Li-Po battery with EC3™ connectors (**DYNB3803EC**) or the Dynamite® Reaction® 14.8V 5000mAh LiPo 4S 50C battery with EC5™ connectors (**DYN3804EC**).

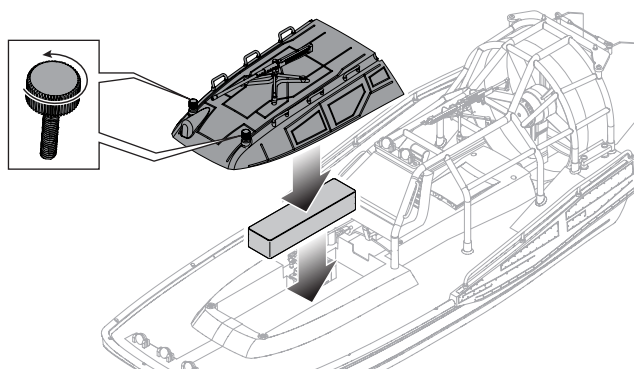
We recommend the Dynamite® Prophet™ Sport LiPo 35W AC Charger (**DYNC2005CA**) or the Dynamite® Prophet™ Sport Plus 50W AC/DC Charger (**DYNC2010CA**).

Refer to your charger manual for charging instructions and safety information.

NOTICE: Never charge a battery in the boat or damage may result.

Installing the Battery Pack

1. Loosen the two thumbscrews on the battery hatch and remove it from the hull.
2. Apply one side of the included hook and loop tape to battery tray. Apply the other side of the hook and loop tape to the back of the battery.
3. Install the fully charged battery in the compartment and secure it with the hook and loop tape.
4. Connect the battery to the ESC.



Antenna Tube Installation

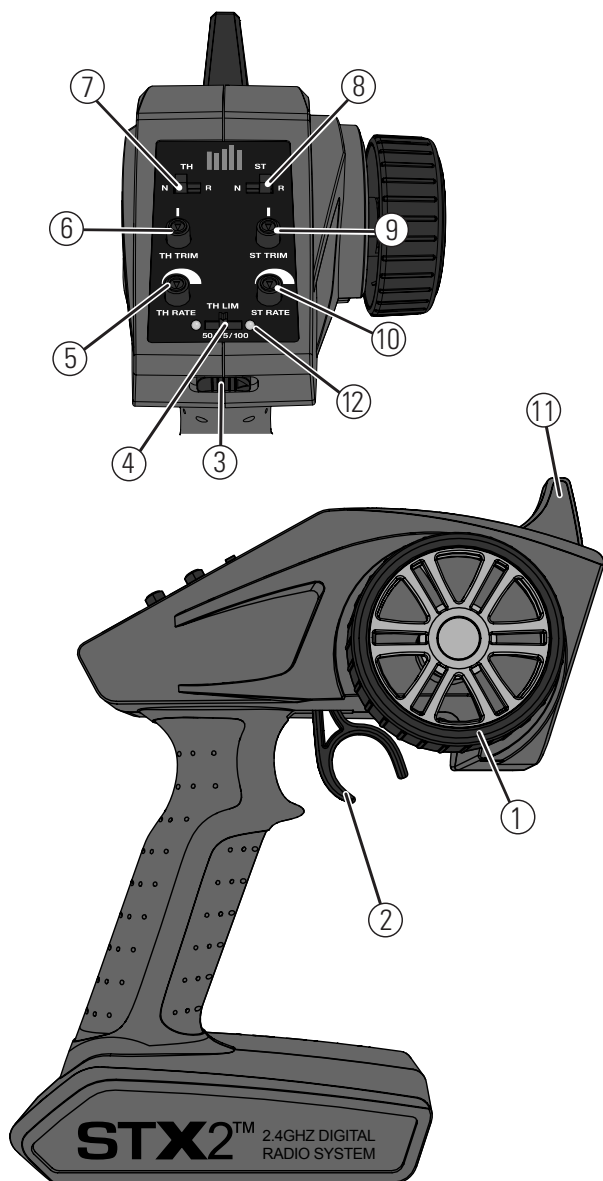
Install the receiver antenna in the tube as shown. Do not bend the end of antenna over the antenna tube and place the cap over it or damage may result. The antenna does not have to be outside of the tube to operate properly.

Keep the end of the antenna above the boat's waterline to get the best transmitter reception.

NOTICE: Do not cut or kink the receiver antenna or damage may result.

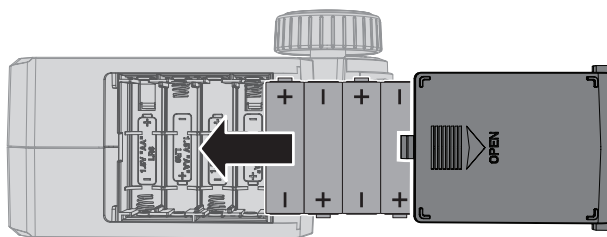


Transmitter Controls



- Steering Wheel** Controls direction (left/right) of the model
- Throttle Trigger** Controls speed and direction (forward/reverse) of the model
- ON/OFF Switch** Turns the power ON/OFF
- Throttle Limiting Switch** Adjusts the throttle limit from 50%, 75%, and 100%
- TH Rate** Adjusts the end point of the throttle
- TH Trim** Adjusts the throttle neutral point
- TH REV** Reverses the function of the speed control when pulled back or pushed forward
- ST REV** Reverses the function of the steering when the wheel is turned left or right
- ST Trim** Adjusts the steering center point
- ST Rate** Adjusts the end point of the steering
- Antenna** Transmits the signal to the model
- Indicator Lights**
 - Solid red lights**—Indicates radio connectivity and adequate battery power
 - Flashing red lights**—Indicates the battery voltage is critically low. Replace batteries

Installing Transmitter Batteries



This transmitter requires 4 AA batteries.

- Remove the battery cover from the transmitter.
- Install the batteries as shown.
- Install the battery cover.

CAUTION: Never remove the transmitter batteries while the model is powered ON. Loss of model control, damage, or injury may occur.

CAUTION: If using rechargeable batteries, charge only rechargeable batteries. Charging non-rechargeable batteries may cause the batteries to burst, resulting in injury to persons and/or damage to property.

CAUTION: Risk of explosion if battery is replaced by an incorrect type. Dispose of used batteries according to national regulations.

Low Voltage Cutoff (LVC)

The factory default setting for the LVC in the ESC included with your boat is set at 3.2V per cell. Discharging a Li-Po battery below 3V per cell may damage your battery. The included ESC protects the boat battery from over-discharge using Low Voltage Cutoff (LVC). Before the battery charge decreases too much, LVC removes power supplied to the motor.

The boat drastically slows or stops completely once LVC is activated. Releasing the throttle and reapplying it will provide a limited amount of power to safely return the boat to shore. Repeated use after LVC is activated will damage the batteries.

Once LVC has been activated, the ESC status light will flash red continuously, indicating that the ESC is in LVC mode.

NOTICE: The LVC reserves battery capacity to allow you to safely return your boat to shore. Continued use after LVC has activated will damage your battery.

LVC can activate prematurely if you use (1) low C-rated batteries or (2) old, worn, and/or weak batteries.

The average run time—using the recommended batteries (**DYNB3803EC** or **DYNB3804EC**)—is between 5–7 minutes at non-stop, open throttle. Limited run time may indicate worn or weak batteries.

Tip: If you've installed freshly charged batteries, and LVC activates within the first minute of operation, replace your worn or weak batteries with the recommended batteries.

Tip: Monitor your boat battery's voltage before and after boating by using a Li-Po Cell Voltage Checker (EFLA111, sold separately).

Disconnect and remove the Li-Po battery from the boat after use to prevent trickle discharge. Charge your Li-Po battery to half capacity before storage. During storage, make sure the battery charge does not fall below 3V per cell. LVC does not prevent the battery from over-discharge during storage.

Getting Started

1. Remove the canopy from the hull.
2. Install the receiver antenna in the antenna tube.
3. Install the fully charged battery in the compartment and secure it with hook and loop tape.
4. Power on the transmitter. Ensure the throttle is not reversed and the throttle trim is neutral.
5. Connect the battery to the ESC.
6. Keep the throttle at neutral and power on the ESC by pushing the power switch.
 - Once armed, the ESC will beep and the LED will flash, indicating the number of battery cells it has detected.
 - 1 short beep will sound when the ESC is ready to run.

NOTICE: Pressing and holding the ESC **SET** button for 3 seconds allows you to change the battery chemistry from LiPo to NiMH. Refer to **Electronic Speed Control (ESC) Programming** for more information.

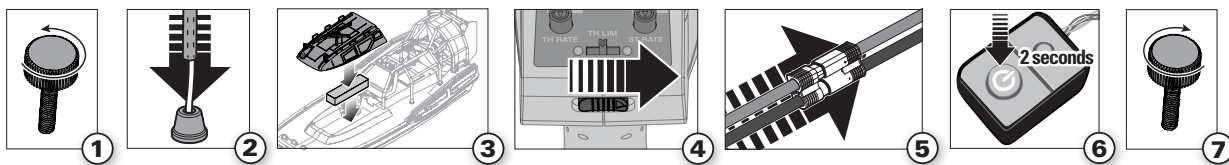


CAUTION: Never use a LiPo battery in NiMH mode or battery damage will result.

7. Install the canopy on the hull.



WARNING: Never handle the boat using the cage as it encloses the propeller. Damage to the boat or your fingers may result.

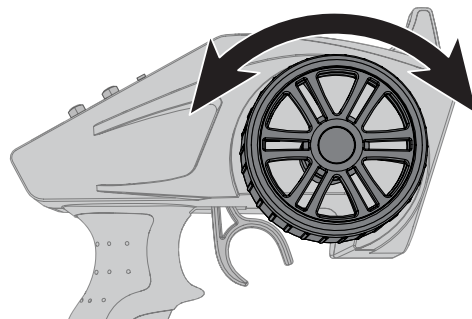


Control Check

IMPORTANT: Perform a control check at the beginning of each boating session, after repair, or after installation of new batteries.

Ensure the receiver antenna is extended properly and all batteries are fully charged.

1. Power ON the transmitter and the boat.
 - Do not install the battery compartment.**
2. Place the boat on a steady surface.
3. Check steering and throttle on the transmitter.

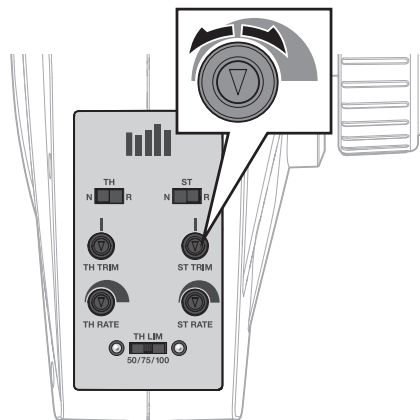


Testing Your Boat in the Water

1. Carefully place the boat in the water.
2. If the boat does not go straight, adjust the steering trim dial on the transmitter.
3. Return the boat to shore when it begins to slow or when LVC activates.
4. Power off the ESC and disconnect the battery.
5. Turn off the transmitter.

NOTICE: Always power OFF the receiver before powering OFF the transmitter. If the transmitter is powered OFF before the boat, the receiver will enter failsafe mode.

WARNING: Do not to increase steering throw beyond the factory setting or servo failure may occur.



Boating Tips

The boat can be used on water, grass, snow, and ice.

NOTICE: We do not recommend using the boat on asphalt, cement, dirt roads, or gravel surfaces. Damage to the hull can occur.

We recommend running the boat in 0–7 MPH winds and calm water conditions.

Maximum speeds are only achieved when water conditions are smooth and wind is minimal. A sharp turn in wind (stronger than 8–10 MPH) or waves can capsize the boat when it is moving at high speeds. A capsized boat can float away on windy days. Always pilot your boat in favorable wind and water conditions so that the boat does not capsize.

Consult local laws and ordinances before choosing a location to pilot your boat.

When boating in water, avoid boating near:

- watercraft
- people (swimming areas, fishing areas)
- stationary objects
- waves, wakes
- rapidly moving water
- wildlife
- floating debris
- overhanging trees
- vegetation

Practice driving the boat at low throttle by switching the transmitter preset throttle limiter to the medium setting. Advance the throttle setting as you become proficient with driving.

Unlike rudder-steerable boats, air boats require power to turn. When turning, decrease the throttle to reduce the probability of flipping the boat. The boat will not steer when coasting off power.

When using 4S power, do not attempt to skim sideways while turning or the boat will capsize.

Turning at speeds above 10 mph will cause the boat abruptly stop and possibly capsize. Practice turning the boat in no less than a 15 foot radius.

If you need to retrieve your boat from the water, use fishing equipment or another boat.

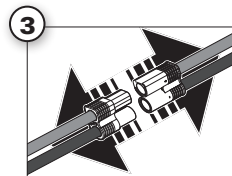
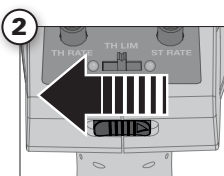
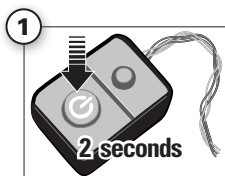
CAUTION: Never operate the boat in extreme temperatures, windy conditions or turbulent water.

CAUTION: Never attempt to retrieve a downed boat by swimming to retrieve it.

WARNING: Keep hands, hair and loose or dangling items away from the fan cage at all times. Serious injury can occur.

When You Are Finished

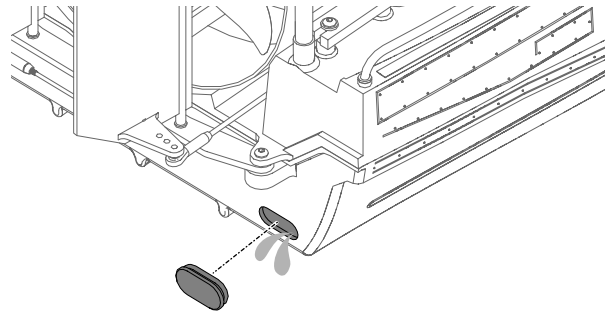
1. Power off the receiver by pressing the power button for 2 seconds.
2. Power off the transmitter.
3. Disconnect and remove the battery from the boat.



After Boating and Maintenance

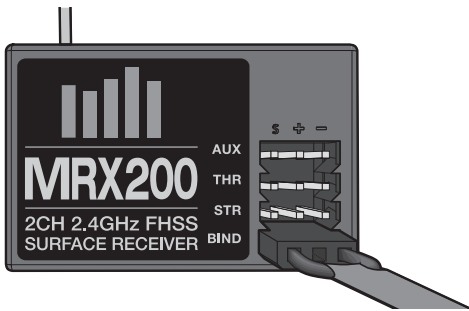
- After each use, remove the drain plug and hold the boat upright to drain all water from inside the hull.
- Reinstall the drain plug.
- Fully dry the inside and outside of the boat, including the water cooling lines and jacket around the motor.
- Remove the hatch before storing your boat. We recommend placing the boat upside down to allow the water to continue to drain.
- Repair any damage or wear to the boat.
- Make note of lessons learned from the trimming of your boat, including water and wind conditions.

NOTICE: When you are finished boating, never leave the boat in direct sunlight or in a hot, enclosed area such as a car. Doing so can damage the boat.



Binding

Binding is the process of programming the receiver to recognize the GUID (Globally Unique Identifier) code of a single specific transmitter. **The STX2® transmitter and SPMRX200 receiver are bound at the factory.** If you need to rebind, follow the instructions below:



1. Insert the Bind Plug in the BIND port of the receiver.
2. Connect a fully charged battery to the ESC.
3. Power on the ESC. The red receiver LED flashes, indicating the receiver is in bind mode.

4. Center the ST TRIM and TH TRIM dials on the transmitter.
5. Turn the Steering Wheel to Full Right. Power ON the transmitter while holding the Steering Wheel to the Right.
6. Release the Steering Wheel when the receiver LED goes solid.
7. Remove the Bind Plug and store it in a convenient place.
8. Power OFF the ESC to save the settings.
9. Power OFF the transmitter.

You must rebind when:

- You want different failsafe positions (e.g. when throttle or steering reverse has been changed).
- Binding the receiver to a different transmitter.

NOTICE: Do not attempt to bind the transmitter and receiver if there are other compatible transmitters in bind mode within 400 feet. Doing so may result in unexpected binding.

Failsafe

In the unlikely event that the radio connection is lost during use, the receiver will drive the servo and ESC to their pre-programmed failsafe positions (normally no throttle and straight steering).

If the receiver is powered on before powering on the transmitter, the receiver will enter this failsafe mode. When the transmitter is powered on, normal control is resumed.

Throttle Range Calibration

1. Power on the transmitter and set the throttle TRIM dial to the center position.
2. Install a fully charged battery in the boat and connect the battery to the ESC.
3. With the ESC powered off, pull the throttle trigger to full throttle and press the power button on the ESC. The ESC will beep twice. The green light will flash with each beep.

4. Return the throttle to neutral. The ESC will beep once and the green light will flash once.

The calibration is complete. The ESC will arm with beeps and flashes to announce the number of battery cells it has detected. Reverse calibration is unnecessary.

ESC Programming Procedure

1. Pull and hold the Throttle Trigger to full throttle and turn the ESC on.
2. After 2 seconds a “-B-B” will sound. Wait another 5 seconds and the ESC will give a rising tone to indicate you have entered **Programming Mode**.
3. After entering Programming Mode, you will hear 4 tones in a loop to indicate **Programmable Items**. Push the Throttle Trigger to full brake within 3 seconds to select the programmable item.
4. After selecting a programmable item, you will hear several tones in a loop to indicate **Programmable Values**. Pull Throttle Trigger to full throttle to select the value matching the tone. The ESC will give an alternating tone to indicate the item is selected.
5. Keep the Throttle Trigger at Full Throttle to return to **Step 3** and continue item selection. Move the Throttle Trigger to full brake position within 2 seconds to exit the Program Mode.

The black-shaded setting is the factory default

Programmable Items	Programmable Value				-B Single Beep		B— Long Beep	
	-B	-B-B	-B-B-B	-B-B-B-B	B—	B— -B	B— -B-B	B— -B-B-B
Running Mode -B	Forward Only	Forward/ Backward						
Li-Po Cells -B-B	Auto Calc.	2s	3s	4s	5s	6s		
Low Voltage Cutoff -B-B-B	None	2.8V/Cell	3.0V/Cell	3.2V/Cell	3.4V/Cell			
Timing -B-B-B-B	0.00°	3.75°	7.50°	11.25°	15.00°	18.75°	22.50°	26.25°

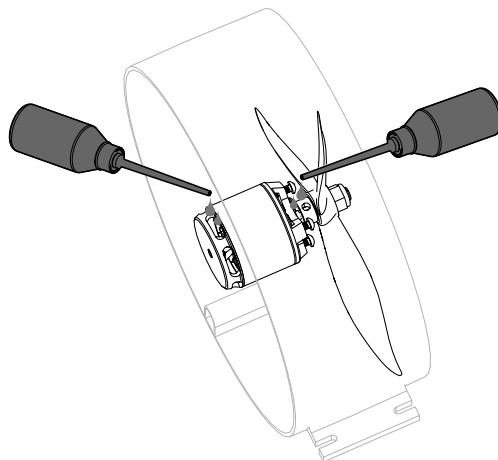
Motor Care

Brushless motors are maintenance free; however, the bearings that support the rotating portion of the motor require regular service.

Tip: Removing the motor can make servicing it easier.

1. Remove the cage (see **Removing the Cage**).
2. Replace the propeller (see **Replacing the Propeller**).
3. Use water displacement fluid on the motor bearings to flush any water from the motor compartment.
4. Apply 1–2 drops of Dynamite Precision Oiler on the front and rear bearings, one at a time.
5. Turn the motor by hand to allow the oil to work its way into the ball bearing through the bearing seal.
6. Install the propeller and cage in reverse.

Tip: Preventing overheating conditions will prolong motor life.



Removing the Cage

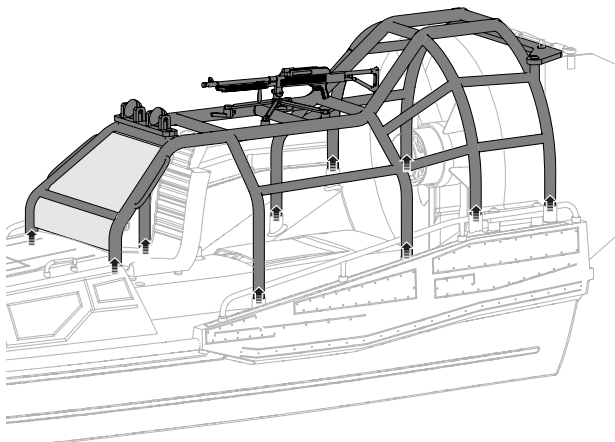
To remove the boat cage:

NOTICE: Carelessly removing the cage from the hull may sever the wire that powers the LED mounted to the cage.

1. Disconnect and remove the battery from the boat.
2. Secure the boat with one hand and carefully lift the cage from the hull.
3. Disengage the 10 cage posts from their base and carefully remove the remainder of the cage.

Tip: If you need to remove the cage, disconnect the LED wire from the receiver. Use a 2mm hex driver to remove the 4 screws securing the electronics cover.

4. To reinstall the cage, follow the instructions in reverse.



Replacing the Propeller

To replace the propeller:

1. Ensure that the ESC is disconnected from the battery.



WARNING: Severe bodily injury may occur if a battery is connected to the ESC and the ESC is turned on.

2. Carefully lift the cage away from the boat's carbon fiber rudder supports.

Tip: Do not remove the cage completely.

3. To remove the rudder, disengage the pins that hold the rudder to the carbon fiber supports.

Tip: It is not necessary to separate the rudder from the steering link, but you may do so if necessary.

4. Secure the motor with one hand. Use your other hand to turn the propeller counter clockwise and disengage the propeller.

Tip: Lightly pull away from the boat by the propeller while loosening it to keep the propeller nut captured in the propeller, as you loosen it.

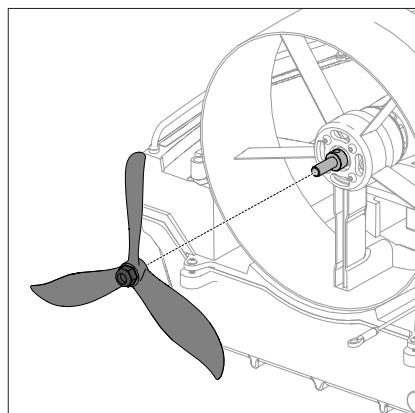
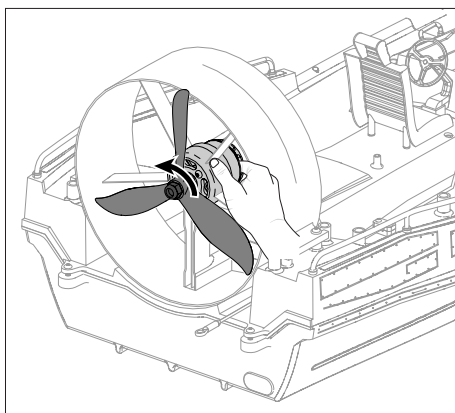
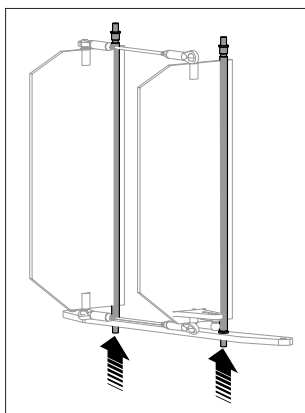
5. Install the propeller on the propeller adapter. Start the nut on to the propeller adapter. Pull the propeller away from the boat so that it captures the nut.

Tip: To replace the propeller adapter, use PRB286059.

6. Secure the motor with one hand. Use your other hand to turn the propeller clockwise to tighten it.

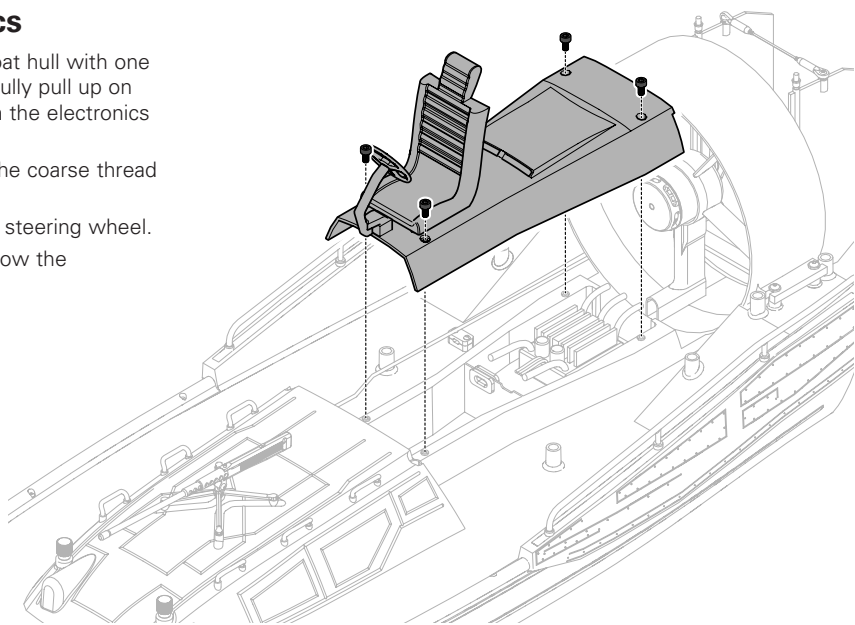
7. To replace the rudder, align each rudder pin, one at a time, with the bottom bushing in the lower carbon fiber rudder support.

Tip: Once the first pin is aligned with the top bushing, push down on the cage to lock the pin in place. Repeat this step on the second pin.



Accessing the Electronics

1. To remove the cage, secure the boat hull with one hand. Use your other hand to carefully pull up on the driver's seat, separating it from the electronics cover.
2. Use a 2mm hex driver to remove the coarse thread cover screws (3mm x 6mm).
3. Lift the electronics cover using the steering wheel.
4. To reinstall the cover and cage, follow the instructions in reverse.



Troubleshooting Guide

Problem	Possible Cause	Solution
Boat will not respond to throttle but responds to other controls	Wet motor causes bearings to seize	Remove motor and apply penetrating oil to both ends of the motor. Rotate the motor shaft by hand to break the corrosive bond between the motor shaft and the bearings
Extra noise or extra vibration	Damaged propeller, shaft or motor	Replace damaged parts
Reduced runtime or boat underpowered	Boat battery charge is low	Completely recharge battery
	Boat battery is damaged	Replace boat battery and follow battery instructions
	Boat conditions may be too cold	Make sure the battery is warm (above 10°C [50°F]) before use
	Battery capacity may be too low for conditions	Replace battery or use a larger capacity battery
Boat will not Bind (during binding) to transmitter	Transmitter is too near boat during binding process	Move powered transmitter a few feet from boat, disconnect and reconnect battery to boat
	Boat or transmitter is too close to large metal object, wireless source or another transmitter	Move the boat and transmitter to another location and attempt binding again
	Another compatible transmitter is powered on within range of the receiver	Power off all compatible transmitters except the one you are trying to bind
	Boat battery/transmitter battery charge is too low	Replace/recharge batteries
	ESC switch is off	Power on ESC switch
Boat will not connect (after binding) to transmitter	Transmitter is too near boat during connecting process	Move powered transmitter a few feet from boat, disconnect and reconnect battery to boat
	Boat or transmitter is too close to large metal object, wireless source or another transmitter	Move boat or transmitter to another location and attempt to connect again
	Boat battery/transmitter battery charge is too low	Replace/recharge batteries
	ESC switch is off	Power on ESC switch
Motor power pulses then motor loses power	Weather conditions might be too cold	Postpone until weather is warmer
	Battery is old, worn out or damaged	Replace battery
	Battery C-rating is too low	Replace battery

Limited Warranty

What this Warranty Covers

Horizon Hobby, LLC, (Horizon) warrants to the original purchaser that the product purchased (the "Product") will be free from defects in materials and workmanship at the date of purchase.

What is Not Covered

This warranty is not transferable and does not cover (i) cosmetic damage, (ii) damage due to acts of God, accident, misuse, abuse, negligence, commercial use, or due to improper use, installation, operation or maintenance, (iii) modification of or to any part of the Product, (iv) attempted service by anyone other than a Horizon Hobby authorized service center, (v) Product not purchased from an authorized Horizon dealer, or (vi) Product not compliant with applicable technical regulations or (vii) use that violates any applicable laws, rules, or regulations.

OTHER THAN THE EXPRESS WARRANTY ABOVE, HORIZON MAKES NO OTHER WARRANTY OR REPRESENTATION, AND HEREBY DISCLAIMS ANY AND ALL IMPLIED WARRANTIES, INCLUDING, WITHOUT LIMITATION, THE IMPLIED WARRANTIES OF NON-INFRINGEMENT, MERCHANTABILITY AND FITNESS FOR A PARTICULAR PURPOSE. THE PURCHASER ACKNOWLEDGES THAT THEY ALONE HAVE DETERMINED THAT THE PRODUCT WILL SUITABLY MEET THE REQUIREMENTS OF THE PURCHASER'S INTENDED USE.

Purchaser's Remedy

Horizon's sole obligation and purchaser's sole and exclusive remedy shall be that Horizon will, at its option, either (i) service, or (ii) replace, any Product determined by Horizon to be defective. Horizon reserves the right to inspect any and all Product(s) involved in a warranty claim. Service or replacement decisions are at the sole discretion of Horizon. Proof of purchase is required for all warranty claims. SERVICE OR REPLACEMENT AS PROVIDED UNDER THIS WARRANTY IS THE PURCHASER'S SOLE AND EXCLUSIVE REMEDY.

Limitation of Liability

HORIZON SHALL NOT BE LIABLE FOR SPECIAL, INDIRECT, INCIDENTAL OR CONSEQUENTIAL DAMAGES, LOSS OF PROFITS OR PRODUCTION OR COMMERCIAL LOSS IN ANY WAY, REGARDLESS OF WHETHER SUCH CLAIM IS BASED IN CONTRACT, WARRANTY, TORT, NEGLIGENCE, STRICT LIABILITY OR ANY OTHER THEORY OF LIABILITY, EVEN IF HORIZON HAS BEEN ADVISED OF THE POSSIBILITY OF SUCH DAMAGES. Further, in no event shall the liability of Horizon exceed the individual price of the Product on which liability is asserted. As Horizon has no control over use, setup, final assembly, modification or misuse, no liability shall be assumed nor accepted for any resulting damage or injury. By the act of use, setup or assembly, the user accepts all resulting liability. If you as the purchaser or user are not prepared to accept the liability associated with the use of the Product, purchaser is advised to return the Product immediately in new and unused condition to the place of purchase.

Law

These terms are governed by Illinois law (without regard to conflict of law principals). This warranty gives you specific legal rights, and you may also have other rights which vary from state to state. Horizon reserves the right to change or modify this warranty at any time without notice.

WARRANTY SERVICES

Questions, Assistance, and Services

Your local hobby store and/or place of purchase cannot provide warranty support or service. Once assembly, setup or use of the Product has been started, you must contact your local distributor

or Horizon directly. This will enable Horizon to better answer your questions and service you in the event that you may need any assistance. For questions or assistance, please visit our website at www.horizonhobby.com, submit a Product Support Inquiry, or call the toll free telephone number referenced in the Warranty and Service Contact Information section to speak with a Product Support representative.

Inspection or Services

If this Product needs to be inspected or serviced and is compliant in the country you live and use the Product in, please use the Horizon Online Service Request submission process found on our website or call Horizon to obtain a Return Merchandise Authorization (RMA) number. Pack the Product securely using a shipping carton. Please note that original boxes may be included, but are not designed to withstand the rigors of shipping without additional protection. Ship via a carrier that provides tracking and insurance for lost or damaged parcels, as Horizon is not responsible for merchandise until it arrives and is accepted at our facility. An Online Service Request is available at http://www.horizonhobby.com/content/service-center_render-service-center. If you do not have internet access, please contact Horizon Product Support to obtain a RMA number along with instructions for submitting your product for service. When calling Horizon, you will be asked to provide your complete name, street address, email address and phone number where you can be reached during business hours. When sending product into Horizon, please include your RMA number, a list of the included items, and a brief summary of the problem. A copy of your original sales receipt must be included for warranty consideration. Be sure your name, address, and RMA number are clearly written on the outside of the shipping carton.

NOTICE: Do not ship Li-Po batteries to Horizon. If you have any issue with a Li-Po battery, please contact the appropriate Horizon Product Support office.

Warranty Requirements

For Warranty consideration, you must include your original sales receipt verifying the proof-of-purchase date. Provided warranty conditions have been met, your Product will be serviced or replaced free of charge. Service or replacement decisions are at the sole discretion of Horizon.

Non-Warranty Service

Should your service not be covered by warranty, service will be completed and payment will be required without notification or estimate of the expense unless the expense exceeds 50% of the retail purchase cost. By submitting the item for service you are agreeing to payment of the service without notification. Service estimates are available upon request. You must include this request with your item submitted for service. Non-warranty service estimates will be billed a minimum of ½ hour of labor. In addition you will be billed for return freight. Horizon accepts money orders and cashier's checks, as well as Visa, MasterCard, American Express, and Discover cards. By submitting any item to Horizon for service, you are agreeing to Horizon's Terms and Conditions found on our website http://www.horizonhobby.com/content/service-center_render-service-center.

ATTENTION: Horizon service is limited to Product compliant in the country of use and ownership. If received, a non-compliant Product will not be serviced. Further, the sender will be responsible for arranging return shipment of the un-serviced Product, through a carrier of the sender's choice and at the sender's expense. Horizon will hold non-compliant Product for a period of 60 days from notification, after which it will be discarded.

Warranty and Service Contact Information

Country of Purchase	Horizon Hobby	Contact Information	Address
United States of America	Horizon Service Center (Repairs and Repair Requests)	servicecenter.horizonhobby.com/RequestForm/	1608 Interstate Dr. Champaign, Illinois, 61822 USA
	Horizon Product Support (Product Technical Assistance)	productsupport@horizonhobby.com 877-504-0233	
	Sales	websales@horizonhobby.com 800-338-4639	
EU	Horizon Technischer Service	service@horizonhobby.eu	Hanskampring 9 D 22885 Barsbüttel, Germany
	Sales: Horizon Hobby GmbH	+49 (0) 4121 2655 100	

*For the most up-to-date customer service contact information, please visit: www.horizonhobby.com/content/service-center-render-service-center

FCC Information

FCC ID: 2A13D-SS0001 This equipment has been tested and found to comply with the limits for Part 15 of the FCC rules. These limits are designed to provide reasonable protection against harmful interference in a residential installation. This equipment generates uses and can radiate radio frequency energy and, if not installed and used in accordance with the instructions, may cause harmful interference to radio communications.

However, there is no guarantee that interference will not occur in a particular installation. If this equipment does cause harmful interference to radio or television reception, which can be determined by turning the equipment off and on, the user is encouraged to try to correct the interference by one or more of the following measures:

- Reorient or relocate the receiving antenna.
- Increase the separation between the equipment and receiver.
- Connect the equipment to an outlet on a circuit different from that to which the receiver is connected.
- Consult the dealer or an experienced radio/TV technician for help.

This device complies with part 15 of the FCC rules. Operation is subject to the following two conditions: (1) This device may not cause harmful interference, and (2) this device must accept any interference received, including interference that may cause undesired operation.

NOTICE: Modifications to this product will void the user's authority to operate this equipment.

IC Information

IC: 21682-SSTC9202 This device complies with Industry Canada licence-exempt RSS standard(s). Operation is subject to the following two conditions: (1) this device may not cause interference, and (2) this device must accept any interference, including interference that may cause undesired operation of the device.

EU Compliance Statement

Horizon Hobby, LLC hereby declares that this product is in compliance with the essential requirements and other relevant provisions of the RED and EMC Directives.

A copy of the EU Declaration of Conformity is available online at: <http://www.horizonhobby.com/content/support-render-compliance>.



Instructions for Disposal of WEEE by Users in the European Union

This product must not be disposed of with other waste. Instead, it is the user's responsibility to dispose of their waste equipment by handing it over to a designated collection point for the recycling of waste electrical and electronic equipment. The separate collection and recycling of your waste equipment at the time of disposal will help to conserve natural resources and ensure that it is recycled in a manner that protects human health and the environment. For more information about where you can drop off your waste equipment for recycling, please contact your local city office, your household waste disposal service or where you purchased the product.

Replacement Parts / Ersatzteile / Pièces de rechange / Pezzi di ricambio

Part #	English	Deutsch	Français	Italiano
PRB18021	LED Lights	LED Lichter	Lumières LED	Luci a LED
PRB280001	Molded Accessories	Geformtes Zubehör	Accessoires moulés	Accessori modellati
PRB281075	Hull	Rumpf	Coque	Scafo
PRB281076	Canopy	Capottina	Verrière	Verdeck
PRB281077	Rudder	Ruder	Gouvernail	Timone
PRB281078	Motor Housing	Motorgehäuse	Boîtier du moteur	Carcassa motore
PRB281080	Hull Bottom	Rumpf unten	Fond de coque	Scafo inferiore
PRB282059	Propeller	Propeller	Hélice	Elica
PRB286059	Propeller Adapter	Propelleradapter	Adaptateur d'hélice	Adattatore per elica
PRB286060	Steering Linkage	Lenkstange	Tringlerie de direction	Tiranteria di direzione
PRB289004	Decals	Decals	Autocollants	Decalcomanie
SPMMRX200	MRX200 Marine 2-Ch FHSS Receiver	Spektrum MRX200 2-Kanal-Empfänger	Récepteur Spektrum MRX200 2CH	Ricevitore Spektrum MRX200 2CH
SPMSTX200	STX2 2Ch 2.4 GHz FHSS Radio System	Spektrum STX2 2-Kanal Sender	Émetteur Spektrum STX2 2CH	Trasmittitore Spektrum STX2 2CH

Optional Parts / Diverse Teile / Pièces optionnelles / Pezzi opzionali

Part #	English	Deutsch	Français	Italiano
DYNB3803EC	11.1V 5000mAh 3S 50C LiPo, Hardcase: EC3	11.1V 5000mAh 3S 50C LiPo, Starres Gehäuse: EC3	Batterie LiPo 11.1V 5000mAh 3S 50C, coque rigide, prise EC3	Batteria LiPo 11.1V 5000mAh 3S 50C, Contenitore rigido: EC3
DYNB3804EC	14.8V 5000 mAh 4S 50C LiPo, Hardcase: EC5	14.8V 5000 mAh 4S 50C LiPo, Starres Gehäuse: EC5	Batterie LiPo 14.8V 5000mAh 4S 50C, coque rigide, prise EC5	Batteria LiPo 14.8V 5000mAh 4S 50C, Contenitore rigido: EC5
DYNC0030	EC5 Battery to EC3 Device	Adapter EC5 Stecker auf EC3 Buchse	DYNC0030 Adaptateur Prise EC5 contrôleur vers EC3 batterie	DYNC0030 Adatt. dispositivo con EC5 alla batteria con EC3
DYNC2005CA	Prophet Sport LiPo 35W AC Charger	Prophet Sport LiPo 35 W Wechselstrom-Ladegerät	Chargeur Li-Po Dynamite Prophet Sport 35W	Caricabatteria Prophet Sport 35 W per batterie LiPo
DYNC2010CA	Prophet Sport Plus 50W AC/DC Charger	Prophet Sport Plus 50 W AC/DC Ladegerät	chargeur Dynamite Prophet Sport 50W AC/DC	Caricabatteria AC/DC Prophet Sport 50 W
DYNF1055	Infrared Temp Gun w/ Laser	Infrarotmesspistole mit Laser	Détecteur infrarouge de température avec laser	Misuratore temperatura a infrarossi a pistola con puntamento laser
DYNT0502	Start Up Tool Set: Proboat	Anfänger-Werkzeugsatz	Set d'outils de démarrage	Set attrezzi
EFLA111	LiPo Cell Voltage Checker	Li-Po-Zelle Spannungsprüfer	Testeur de tension d'élément Li-Po	Strumento controllo voltaggio batterie LiPo
SPMS605	9KG Servo, WP, Metal Cent. Case 23T	9KG Servo, WP, Metall Cent. Fall 23T	Servo 9KG, WP, Cent Métal. Case 23T	9KG Servo, WP, Metal Cent. Caso 23T

57045

Created: 08/2018

©2018 Horizon Hobby LLC.

Pro Boat, the Pro Boat logo, Aerotrooper, Tazer, Dynamite and the Horizon Hobby logo are trademarks or registered trademarks of Horizon Hobby, LLC. The Spektrum trademark is used with permission of Bachmann Industries, Inc. All other trademarks, service marks and logos are property of their respective owners.

Patents pending.