

Spektrum DXS Transmitter Preset Model Profiles



The Spektrum DXS transmitter has the ability to change between 4 different Airplane Profiles and a Heli Profile using trim inputs. See the profile options, compatible models, and notes for each listed below.

- **Preset Profiles Description** – See DXS Profile Switch and Channel Designations Chart for more info

STANDARD AIRPLANE PROFILE – For models with up to 4 control surfaces, such as trainer, sport and gliders models. Use with models with Retracts, Flaps and other auxiliary functions maybe limited in this profile.

EXTRA FUNCTIONS PROFILE – For models with Flaps and Retracts, and auxiliary functions like Throttle Reverse. SAFE select flight modes can be limited in this profile when CH5 and CH6 are already in use. Also please note when using this profile with models with Flaps, there is no Elevator Compensation. Dropping flaps on most high wing models will cause “ballooning” and the nose will pitch up.

ELEVON A/B PROFILES – This preset is intended for Delta wing and Flying wing models that require Elevon Mixing. This mode mixes the Aileron and Elevator channels to produce pitch and roll movements with 2 control surfaces. When using an Elevon Profile, it is likely you will need to Reverse either Aileron/Elevator or both. (see DXS manual for channel reversing instructions)

Possible Elevon Reversing Options

Aileron	Elevator
Normal	Reverse
Normal	Normal
Reverse	Reverse
Reverse	Normal

Tip: If you test all servo reversing options and the control surfaces do not move in the correct direction, change the Elevon wing from Elevon-A to Elevon-B.

STANDARD HELI PROFILE – The Standard Heli profile has preset throttle and pitch curves that are specifically chosen to fly many popular Blade Heli Models. These curves are set to the B switch for Normal, Stunt 1 and Stunt 2. Please see the compatibility chart for a list of compatible Blade Helis

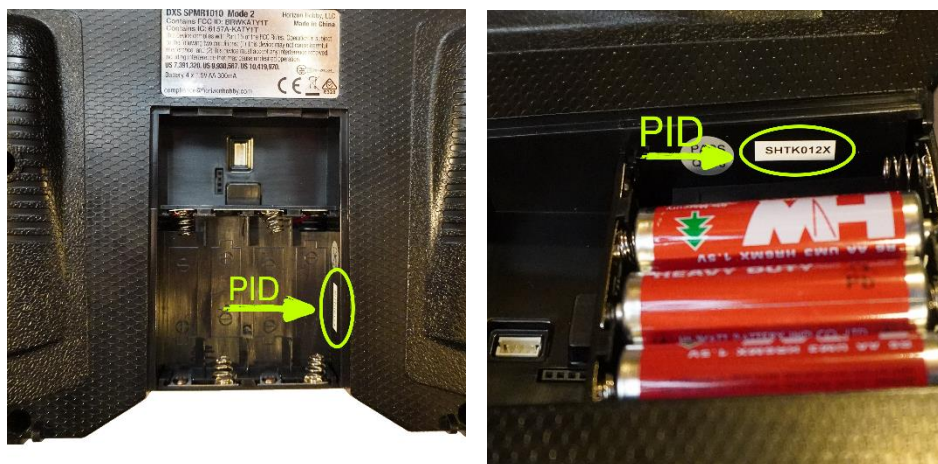
DXS Profiles Switch and Channel Designations

	Button A	Switch B	Switch D	Switch F	Switch H
Standard Airplane Profile 1	Panic / CH6	Flight Modes / CH5	Aux / CH 7	High/Low Rate	Throttle Hold
Extra Functions Profile 2	Reverse / SAFE / CH7	Gear / Aux / CH5	Flap / CH6	High/Low Rate	Throttle Hold
Elevon A Profile 3	Panic / CH6	Flight Modes / CH5	3 -Pos / CH 7	High/Low Rate	Throttle Hold
Elevon B Profile 4	Panic / CH6	Flight Modes / CH5	3 -Pos / CH 7	High/Low Rate	Throttle Hold
Standard Heli Profile 1	Panic / CH5	Flight Modes / CH5	3 -Pos / CH 7	High/Low Rate	Throttle Hold

Spektrum DXS Transmitter Preset Model Profiles



Please note that your DXS transmitter may need an update to perform this function. Make sure that it is on version 1.30 or higher. Some DXS Transmitters will already come with this function, to confirm, check the PID number located in the battery compartment. If the PID starts with "SHTK" then an update is required to access the Preset Model Profiles.



Update Instructions

Required Equipment

- Windows based PC or Laptop with USB Port
- Spektrum USB Programmer (SPMA3065)
- SPMA3068 Adapter (not included with models that came equipped with DXS)

1. Download the Spektrum PC programmer Application and Install – [Link here](#)
2. Plug in Spektrum USB programmer cable into open USB Port.
3. Open Spektrum PC Programmer Application on your PC.
4. In the Top left corner of the App there is a Login button, use this to login to your Spektrum Account or to create a new account.
5. Plug the servo lead end of the USB programmer into the adapter and then plug adapter into port on your DXS and power on.
6. At this time, you should be presented with the Software Update Screen Menu
 - a. Here you are presented with the Serial Number and you can register the device to your account by clicking Check for Update.
7. Click Check for Update and choose the most recent update at the top of the list.
 - a. Click Update and the transmitter will update. Please wait until the process is complete before powering down and unplugging cables.

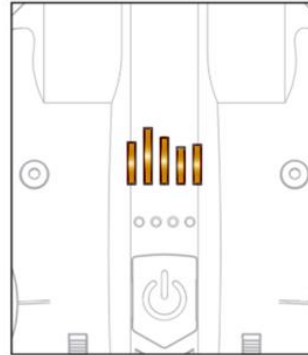
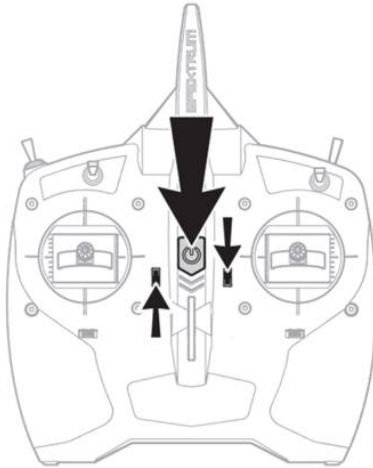
Need help? Go to these links for a hands-on video walkthrough to update transmitters via USB Cable – [Click here](#)

Spektrum DXS Transmitter Preset Model Profiles

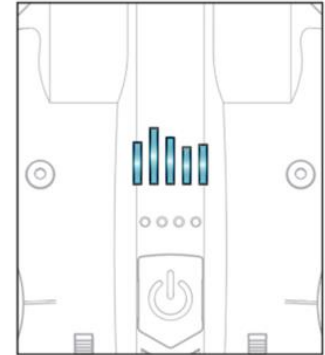


Model Preset Mode Change Instructions via Trim Programming

1. To enter preset change mode, push and hold the Inner Left Trimmer UP and Inner Right Trimmer Down while you power ON the DXS transmitter.



Helicopter Mode

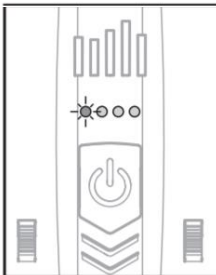


Airplane Mode

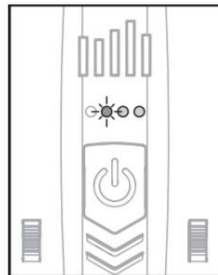
The LED will glow Red or Cyan when in Model Preset Change mode

2. 1 of the 4 Battery level indicator LEDs will light up Green. This indicates the current selected Preset Mode

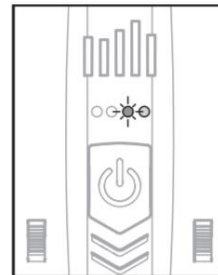
Profile 1
Standard Air/Heli



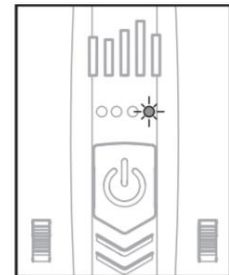
Profile 2
Extra Functions



Profile 3
Elevon A



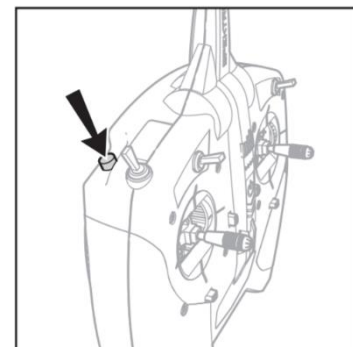
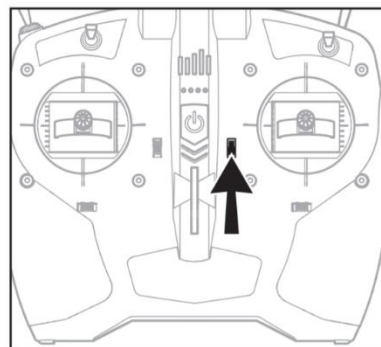
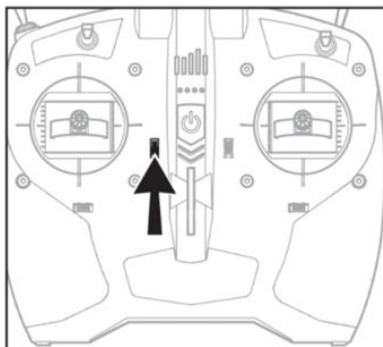
Profile 4
Elevon B



Use the LEFT (up or down) Trimmer to select between Heli or Airplane model type

Use the RIGHT (up or down) Trimmer to select between Available Profiles

Press the A button to save your selection. The transmitter will power down automatically



3. Whenever a mode change is performed, **RE-BIND** the Transmitter and Receiver to reset Failsafe

Spektrum DXS Transmitter Preset Model Profiles



MODEL PROFILES BNF COMPATIBILITY LIST

Please reference this chart for switch layouts and important notes when using your DXS with these popular E-flite, Hobbyzone and Blade Heli Bind-n-Fly Models

Model	DXS Profile	Button A	Switch B	Switch D	Switch F	Switch H
E-Flite EC-1500 (EFL5750)	Airplane Profile 2	SAFE Select	Cargo Door	3 Pos Flaps	High/Low Rate	Throttle Hold
NOTES						
The DXS does not support Flap to Elevator compensation - Be prepared to apply down elevator when deploying flaps to level out the model - SAFE Select is only available as a momentary button with this model using this profile, hold the button for SAFE on and release for AS3X mode. For the best experience, we recommend flying with a NX6 transmitter (or higher) with this model						
Apprentice STS (EFL3750)	Airplane Profile 1	Panic Recovery	Flight Modes	N/A	High/Low Rate	Throttle Hold
Night Timber X (EFL13850)	Airplane Profile 2	Throttle Reverse	SAFE Select	3 Pos Flaps	High/Low Rate	Throttle Hold
NOTES						
The DXS does not support Flap to Elevator compensation - Be prepared to apply down elevator when deploying flaps to level out the model - Throttle Reverse is only available as a momentary button with this model using this profile, hold the button for SAFE on and release for AS3X mode. For the best experience, we recommend at least flying with a NX6 transmitter with this model						
F-16 70mm EDF (EFL7850/EFL78500)	Airplane Profile 1	N/A	Retract Gear	SAFE Select	High/Low Rate	Throttle Hold
Maule 1.5M (EFL5350/EFL53500)	Airplane Profile 2	Throttle Reverse	SAFE Select	3 Pos Flaps	High/Low Rate	Throttle Hold
Ultimate 3D 950mm SMART (EFL16550)	Airplane Profile 2	Throttle Reverse	SAFE Select	N/A	High/Low Rate	Throttle Hold
NOTES						
Throttle Reverse is only available as a Momentary button in this Mode, hold the button for Reverse on and release for Forward Flight						
Extra 300 1.3M (EFL11550/EFL115500)	Airplane Profile 1	N/A	SAFE Select	N/A	High/Low Rate	Throttle Hold
NOTES						
The pre-programmed High and Low Rate on the DXS, when flying 3D models, even in low rate, is very reactive. It is highly recommended to use a programmable Transmitter to program the recommended rates and expo for this model. For the best experience, we recommend at least flying with a DX6e transmitter with this model						
P-39 1.2m (EFL9150)	Airplane Profile 2	SAFE Select	Retract Gear	3 Pos Flaps	High/Low Rate	Throttle Hold
NOTES						
The DXS does not support Flap to Elevator compensation - Be prepared to apply down elevator when deploying flaps to level out the model - SAFE Select is only available as a momentary button with this model using this profile, hold the button for SAFE on and release for AS3X mode. For the best experience, we recommend flying with a NX6 transmitter (or higher) with this model						
P-51D 1.2M (EFL8950/EFL89500)	Airplane Profile 2	SAFE Select	Retract Gear	3 Pos Flaps	High/Low Rate	Throttle Hold
NOTES						
The DXS does not support Flap to Elevator compensation - Be prepared to apply down elevator when deploying flaps to level out the model - SAFE Select is only available as a momentary button with this model using this profile, hold the button for SAFE on and release for AS3X mode. For the best experience, we recommend flying with a NX6 transmitter (or higher) with this model						
Viper 70mm EDF (EFL7750/EFL77500)	Airplane Profile 2	SAFE Select	Retract Gear	3 Pos Flaps	High/Low Rate	Throttle Hold
NOTES						
The DXS does not support Flap to Elevator compensation - Be prepared to apply down elevator when deploying flaps to level out the model - SAFE Select is only available as a momentary button with this model using this profile, hold the button for SAFE on and release for AS3X mode. For the best experience, we recommend flying with a NX6 transmitter (or higher) with this model						
Air Tractor 1.5m (EFL16450)	Airplane Profile 2	SAFE Select	N/A	3 Pos Flaps	High/Low Rate	Throttle Hold
NOTES						
The DXS does not support Flap to Elevator compensation - Be prepared to apply down elevator when deploying flaps to level out the model - SAFE Select is only available as a momentary button with this model using this profile, hold the button for SAFE on and release for AS3X mode. For the best experience, we recommend flying with a DX6e transmitter (or higher) with this model						
Turbo Timber 1.5m (EFL15250)	Airplane Profile 2	SAFE Select	N/A	3 Pos Flaps	High/Low Rate	Throttle Hold
NOTES						
The DXS does not support Flap to Elevator compensation - Be prepared to apply down elevator when deploying flaps to level out the model - SAFE Select is only available as a momentary button with this model using this profile, hold the button for SAFE on and release for AS3X mode. For the best experience, we recommend flying with a DX6e transmitter (or higher) with this model						
Timber X 1.2M (EFL3850/EFL38500)	Airplane Profile 2	SAFE Select	N/A	3 Pos Flaps	High/Low Rate	Throttle Hold
NOTES						
The DXS does not support Flap to Elevator compensation - Be prepared to apply down elevator when deploying flaps to level out the model - SAFE Select is only available as a momentary button with this model using this profile, hold the button for SAFE on and release for AS3X mode. For the best experience, we recommend flying with a DX6e transmitter (or higher) with this model						

Spektrum DXS Transmitter Preset Model Profiles



Twin Otter 1.2m (EFL300500/EFL30050)	Airplane Profile 2	SAFE Select	N/A	3 Pos Flaps	High/Low Rate	Throttle Hold
NOTES						
The DXS does not support Flap to Elevator compensation - Be prepared to apply down elevator when deploying flaps to level out the model - SAFE Select is only available as a momentary button with this model using this profile, hold the button for SAFE on and release for AS3X mode. For the best experience, we recommend flying with a DX6e transmitter (or higher) with this model						
Carbon Cub S2 1.3M (HBZ3250/HBZ32500)	Airplane Profile 1	Panic Recovery	Flight Modes	N/A	High/Low Rate	Throttle Hold
Cherokee 1.3M (EFL54500/EFL5450)	Airplane Profile 2	SAFE Select	N/A	3 Pos Flaps	High/Low Rate	Throttle Hold
NOTES						
The DXS does not support Flap to Elevator compensation - Be prepared to apply down elevator when deploying flaps to level out the model - SAFE Select is only available as a momentary button with this model using this profile, hold the button for SAFE on and release for AS3X mode. For the best experience, we recommend flying with a DX6e transmitter (or higher) with this model						
Opterra 2M Wing (EFL111500/EFL111500)	Airplane Profile 1	N/A	SAFE Select	N/A	High/Low Rate	Throttle Hold
Conscendo Evolution 1.5m (EFL01650)	Airplane Profile 1	N/A	SAFE Select	N/A	High/Low Rate	Throttle Hold
T-28 Trojan 1.1m (EFL08250)	Airplane Profile 1	N/A	SAFE Select	N/A	High/Low Rate	Throttle Hold
F-15 64mm (EFL9750/EFL97500)	Airplane Profile 1	N/A	SAFE Select	N/A	High/Low Rate	Throttle Hold
V-900 (EFL74500/EFL7450)	Airplane Profile 1	N/A	SAFE Select	N/A	High/Low Rate	Throttle Hold
Valiant 1.3M (EFL4950/EFL49500)	Airplane Profile 2	SAFE Select	N/A	3 Pos Flaps	High/Low Rate	Throttle Hold
NOTES						
The DXS does not support Flap to Elevator compensation - Be prepared to apply down elevator when deploying flaps to level out the model - SAFE Select is only available as a momentary button with this model using this profile, hold the button for SAFE on and release for AS3X mode. For the best experience, we recommend flying with a DX6e transmitter (or higher) with this model						
Pitts 850mm (EFL3550/EFL35500)	Airplane Profile 1	N/A	SAFE Select	N/A	High/Low Rate	Throttle Hold
UMX A-10 Thunderbolt II 30mm EDF (EFLU6550)	Airplane Profile 1	N/A	SAFE Select	N/A	High/Low Rate	Throttle Hold
Citation Longitude (EFLU6350)	Airplane Profile 1	N/A	SAFE Select	N/A	High/Low Rate	Throttle Hold
AeroScout S 1.1m (HBZ3850/HBZ38500)	Airplane Profile 1	Panic Recovery	SAFE Select	N/A	High/Low Rate	Throttle Hold
UMX Turbo Timber (EFLU6950)	Airplane Profile 2	SAFE Select	N/A	3 Pos Flaps	High/Low Rate	Throttle Hold
NOTES						
The DXS does not support Flap to Elevator compensation - Be prepared to apply down elevator when deploying flaps to level out the model - SAFE Select is only available as a momentary button with this model using this profile, hold the button for SAFE on and release for AS3X mode. For the best experience, we recommend flying with a DX6e transmitter (or higher) with this model						
UMX Ultrix (EFLU6450)	Airplane Profile 1	N/A	SAFE Select	N/A	High/Low Rate	Throttle Hold
Sport Cub S v2 (HBZ4450/HBZ44500)	Airplane Profile 1	N/A	SAFE Select	N/A	High/Low Rate	Throttle Hold
UMX PT-17 (EFLU3080)	Airplane Profile 1	N/A	SAFE Select	N/A	High/Low Rate	Throttle Hold
UMX Radian (EFLU2980)	Airplane Profile 1	N/A	SAFE Select	N/A	High/Low Rate	Throttle Hold
UMX Night Vapor (EFLU1350)	Airplane Profile 1	N/A	SAFE Select	N/A	High/Low Rate	Throttle Hold
UMX Yak 54 3D (EFLU3550)	Airplane Profile 1	N/A	Flight Modes	N/A	High/Low Rate	Throttle Hold
Blade Fusion 360 SMART 3S (BLH6150)	Heli Profile 1	Panic Recovery	Flight Modes	N/A	High/Low Rate	Throttle Hold
Blade 330 S (BLH59550/BLH595500)	Heli Profile 1	Panic Recovery	Flight Modes	N/A	High/Low Rate	Throttle Hold
Blade 230 S Smart (BLH1250)	Heli Profile 1	Panic Recovery	Flight Modes	N/A	High/Low Rate	Throttle Hold
Blade 150 S (BLH5450)	Heli Profile 1	Panic Recovery	Flight Modes	N/A	High/Low Rate	Throttle Hold
Blade 120 S2 (BLH1180)	Airplane Profile 1	Panic Recovery	Flight Modes	N/A	High/Low Rate	Throttle Hold