



Scan the QR code and select the Manuals and Support quick links from the product page for the most up-to-date manual information.
Scannen Sie den QR-Code und wählen Sie auf der Produktseite die Quicklinks Handbücher und Unterstützung, um die aktuellsten Informationen zu Handbücher.
Scannez le code QR et sélectionnez les liens rapides Manuals and Support sur la page du produit pour obtenir les informations les plus récentes sur le manuel.
Scannerizzare il codice QR e selezionare i Link veloci Manuali e Supporto dalla pagina del prodotto per le informazioni manuali più aggiornate.

RTR
READY-TO-RUN



DESERT BUGGY XL 2.0

1/5-SCALE READY-TO-RUN

LOS05008T1 Icon Body

LOS05008T2 Magnaflow Body



LOS05008T1 Shown

INSTRUCTION MANUAL
BEDIENUNGSANLEITUNG
MANUEL D'UTILISATION
MANUALE DI ISTRUZIONI

Before operating this vehicle, please read all printed materials thoroughly. Horizon Hobby is not responsible for inadvertent errors in this manual.

HORIZON
H O B B Y

NOTICE

All instructions, warranties and other collateral documents are subject to change at the sole discretion of Horizon Hobby, LLC. For up-to-date product literature, visit www.horizonhobby.com or www.towerhobbies.com and click on the support or resources tab for this product.


MEANING OF SPECIAL LANGUAGE

The following terms are used throughout the product literature to indicate various levels of potential harm when operating this product:


WARNING: Procedures, which if not properly followed, create the probability of property damage, collateral damage, and serious injury OR create a high probability of superficial injury.

CAUTION: Procedures, which if not properly followed, create the probability of physical property damage AND a possibility of serious injury.

NOTICE: Procedures, which if not properly followed, create a possibility of physical property damage AND a little or no possibility of injury.

 **WARNING:** Read the ENTIRE instruction manual to become familiar with the features of the product before operating. Failure to operate the product correctly can result in damage to the product, personal property and cause serious injury.

This is a sophisticated hobby product. It must be operated with caution and common sense and requires some basic mechanical ability. Failure to operate this Product in a safe and responsible manner could result in injury or damage to the product or other property. This product is not intended for use by children without direct adult supervision. Do not use with incompatible components or alter this product in any way outside of the instructions provided by Horizon Hobby, LLC. This manual contains instructions for safety, operation and maintenance. It is essential to read and follow all the instructions and warnings in the manual, prior to assembly, setup or use, in order to operate correctly and avoid damage or serious injury.

 **WARNING AGAINST COUNTERFEIT PRODUCTS** Always purchase from a Horizon Hobby, LLC authorized dealer to ensure authentic high-quality Spektrum product. Horizon Hobby, LLC disclaims all support and warranty with regards, but not limited to, compatibility and performance of counterfeit products or products claiming compatibility with DSM or Spektrum technology.

Age Recommendation: Not for children under 14 years. This is not a toy.

SAFETY PRECAUTIONS AND WARNINGS

As the user of this product, you are solely responsible for operating in a manner that does not endanger yourself and others or result in damage to the product or property of others.

This model is controlled by a radio signal subject to interference from many sources outside your control. This interference can cause momentary loss of control, so it is advisable to always keep a safe distance in all directions around your model as this margin will help avoid collisions or injury.

- Never operate your model with low transmitter batteries.
- Always operate your model in open spaces away from full-size vehicles, traffic and people.
- Never operate the model in the street or in populated areas for any reason.
- Carefully follow the directions and warnings for this and any optional support equipment (chargers, rechargeable battery packs, etc.) you use.
- Keep all chemicals, small parts and anything electrical out of the reach of children.

- Never lick or place any portion of the model in your mouth as it could cause serious injury or even death.
- Exercise caution when using tools and sharp instruments.
- Take care during maintenance as some parts may have sharp edges.
- Immediately after using your model, do NOT touch equipment such as the motor, electronic speed control and battery, because they generate high temperatures. You may burn yourself seriously touching them.
- Do not put fingers or any objects inside rotating and moving parts, as this may cause damage or serious injury.
- Always turn on your transmitter before you turn on the receiver in the car. Always turn off the receiver before turning your transmitter off.
- Keep the wheels of the model off the ground when checking the operation of the radio equipment.

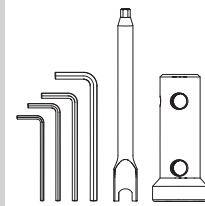
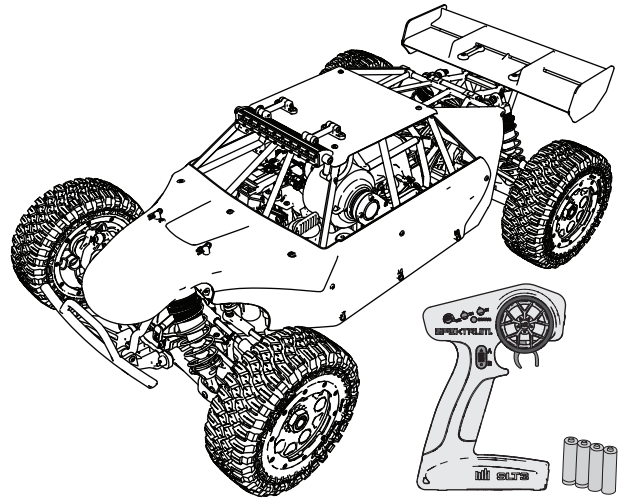
TABLE OF CONTENTS

BOX CONTENTS.....	3	PRIMING THE ENGINE	11	GEARING	20
WATERPROOF ELECTRONICS	3	STARTING PROCEDURE: COLD ENGINE	11	BRAKE BIAS	20
QUICK START	4	STARTING PROCEDURE: HOT ENGINE	12	RIDE HEIGHT	20
CHARGING THE BATTERIES.....	4	BREAKING IN THE ENGINE	12	FREQUENT MAINTENANCE	21
INSTALLING THE TRANSMITTER BATTERIES.....	4	STOPPING THE ENGINE	13	REMOVE AIR FILTER FOAM	21
VEHICLE PREPARATION	4	TURNING THE SYSTEM OFF	13	VEHICLE MAINTENANCE	21
TRANSMITTER FUNCTIONS.....	5	ADJUSTING STEERING AND THROTTLE TRIMS	14	SEMI-FREQUENT MAINTENANCE	22
SERVO TRAVEL	5	SPARK PLUG TEST	14	INFREQUENT MAINTENANCE	25
SPMSR315 DUAL PROTOCOL RECEIVER	6	FLOODED ENGINE.....	15	ENGINE DOES NOT START	30
RECEIVER ANTENNA.....	6	INTRODUCTION TO ENGINE TUNING	16	ENGINE STARTS THEN STALLS.....	30
BINDING	6	ENGINE TUNING	16	ENGINE IS RUNNING, BUT VEHICLE DOES NOT MOVE.....	30
DRIVING PRECAUTIONS	6	FACTORY CARBURETOR SETTINGS	17	ERRATIC CONTROL	30
BEFORE RUNNING THE VEHICLE.....	6	ADJUSTING THE HIGH-SPEED NEEDLE	17	TROUBLESHOOTING GUIDE	30
OPENING THE BODY FOR MAINTENANCE	7	ADJUSTING THE LOW-SPEED NEEDLE	17	LIMITED WARRANTY	43
BASIC FUEL WARNINGS AND GUIDELINES	8	IDLE ADJUSTMENT	17	WARRANTY AND SERVICE CONTACT INFORMATION.....	44
FUEL REQUIREMENTS	8	CAMBER	18	FCC AND CANADA COMPLIANCE INFORMATION.....	44
FUEL MIXING PRECAUTIONS AND GUIDELINES.....	8	DROOP.....	18	IC INFORMATION.....	44
MIXING THE FUEL	8	SHOCK OIL	18	COMPLIANCE INFORMATION FOR THE EUROPEAN UNION	44
FUEL STORAGE PRECAUTIONS AND GUIDELINES.....	8	VEHICLE TUNING	18	REPLACEMENT PARTS	124
FUEL PREPARATION	8	SHOCK SPRINGS.....	19	RECOMMENDED PARTS	126
ENGINE STOP SWITCH	9	SHOCK MOUNTING POSITIONS	19	OPTIONAL PARTS	127
VEHICLE STARTING AND RUNNING	9	FRONT TOE	19	PARTS EXPLOSION.....	129
FUELING THE VEHICLE	10	SWAY BARS.....	19	HARDWARE	135
TURNING THE SYSTEM ON	10	DIFFERENTIALS.....	20		

BOX CONTENTS

COMPONENTS

- Losi® DBXL™ 2.0 GAS RTR: 1/5-Scale 4WD Desert Buggy (LOS05008T1/T2)
- Spektrum™ SLT3™ 2.4GHz Transmitter (SPMSLT300)
- Spektrum SR315 3 Channel Surface Receiver (SPMSR315)
- Spektrum S906 1/5 Waterproof Servo (2) (SPMS906)
- Spektrum Smart LiPo Receiver battery (SPMX40002SRX)
- 4 AA batteries (for transmitter)



Included Tools:

- Turnbuckle Wrench/5mm Hex Wrench
- 24mm Wheel Wrench
- 2mm L Hex Wrench
- 2.5mm L Hex Wrench
- 3mm L Hex Wrench
- 4mm L Hex Wrench

WATER-RESISTANT VEHICLE WITH WATERPROOF ELECTRONICS

Your new Horizon Hobby vehicle has been designed and built with a combination of waterproof and water-resistant components to allow you to operate the product in many “wet conditions,” including puddles, creeks, wet grass, snow and even rain.

While the entire vehicle is highly water-resistant, it is not completely waterproof and your vehicle should NOT be treated like a submarine. The various electronic components used in the vehicle, such as the Electronic Speed Control (ESC), servo(s) and receiver are waterproof, however, most of the mechanical components are water-resistant and should not be submerged.

Metal parts, including the bearings, hinge pins, screws and nuts, as well as the contacts in the electrical cables, will be susceptible to corrosion if additional maintenance is not performed after running in wet conditions. To maximize the long-term performance of your vehicle and to keep the warranty intact, the procedures described in the “Wet Conditions Maintenance” section below must be performed regularly if you choose to run in wet conditions. If you are not willing to perform the additional care and maintenance required, then you should not operate the vehicle in those conditions.



CAUTION: Failure to exercise caution while using this product and complying with the following precautions could result in product malfunction and/or void the warranty.

GENERAL PRECAUTIONS

- Read through the wet conditions maintenance procedures and make sure that you have all the tools you will need to properly maintain your vehicle.
- Not all batteries can be used in wet conditions. Consult the battery manufacturer before use. Caution should be taken when using Li-Po batteries in wet conditions.
- Most transmitters are not water-resistant. Consult your transmitter’s manual or the manufacturer before operation.
- Never operate your transmitter or vehicle where lightning may be present.
- Do not operate your vehicle where it could come in contact with salt water (ocean water or water on salt-covered roads), contaminated or polluted water. Salt water is very conductive and highly corrosive, so use caution.
- Even minimal water contact can reduce the life of your motor if it has not been certified as water-resistant or waterproof. If the motor becomes excessively wet, apply very light throttle until the water is mostly removed from the motor. Running a wet motor at high speeds may rapidly damage the motor.
- Driving in wet conditions can reduce the life of the motor. The additional

resistance of operating in water causes excess strain. Alter the gear ratio by using a smaller pinion or larger spur gear. This will increase torque (and motor life) when running in mud, deeper puddles, or any wet conditions that will increase the load on the motor for an extended period of time.

WET CONDITIONS MAINTENANCE

- Drain any water that has collected in the tires by spinning them at high speed. With the body removed, place the vehicle upside down and pull full throttle for a few short bursts until the water has been removed.



CAUTION: Always keep hands, fingers, tools and any loose or hanging objects away from rotating parts when performing the above drying technique.

- Remove the battery pack(s) and dry the contacts. If you have an air compressor or a can of compressed air, blow out any water that may be inside the recessed connector housing.
- Remove the tires/wheels from the vehicle and gently rinse the mud and dirt off with a garden hose. Avoid rinsing the bearings and transmission.

NOTICE: Never use a pressure washer to clean your vehicle.

- Use an air compressor or a can of compressed air to dry the vehicle and help remove any water that may have gotten into small crevices or corners.
- Spray the bearings, drive train, fasteners and other metal parts with a water-displacing light oil. Do not spray the motor.
- Let the vehicle air dry before you store it. Water (and oil) may continue to drip for a few hours.
- Increase the frequency of disassembly, inspection and lubrication of the following:
 - Front and rear axle hub assembly bearings.
 - All transmission cases, gears and differentials.
 - Motor—clean with an aerosol motor cleaner and re-oil the bushings with lightweight motor oil.



Vehicle Preparation

CHARGING THE BATTERIES

The DBXL 2.0 includes a Spektrum 4000mAh 2s Smart LiPo receiver pack to power the receiver. A LiPo compatible charger is required (not included with vehicle). We recommend Spektrum Smart chargers to pair with this battery because when paired together, Smart batteries and chargers automatically set the correct parameters for charging the battery.

Our recommended charger is the S150 Smart Charger (SPMXC1070). The included battery uses an IC3 connector (EC3 compatible) with a balance plug and may be charged with a conventional (not Smart technology compatible) LiPo charger.

Refer to your charger manual for usage, safety, and charging information.

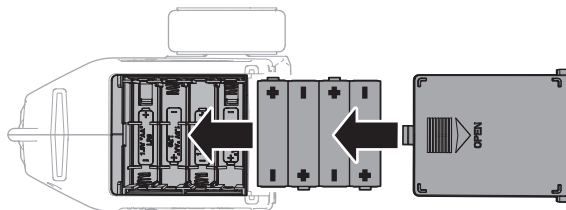
INSTALLING THE TRANSMITTER BATTERIES

This transmitter requires 4 AA batteries.

1. Remove the battery cover from the transmitter.
2. Install the batteries as shown.
3. Install the battery cover.

CAUTION: If using rechargeable batteries, charge only rechargeable batteries. Charging non-rechargeable batteries may cause the batteries to burst, resulting in injury to persons and/or damage to property.

CAUTION: Risk of explosion if battery is replaced by an incorrect type. Dispose of used batteries according to national regulations.



TRANSMITTER FUNCTIONS

Specifications

Power Supply: 4 AA Batteries

Operating Frequency: 2.4GHz

Transmit Power: <100mw

Control Protocol: SLT

Control: Proportional Steering and Throttle/Brake with Trim Knobs, Third Channel with 3 Position Momentary Switch

Auxiliary Functions: 3 Position Throttle Limit Switch, Steering Rate Knob to Change Steering Travel on-the-fly, Programmable Servo Travel for Steering and Throttle/Brake

A. Throttle Trim

Adjusts the throttle neutral point

B. Steering Trim

Adjusts the steering center point. Normally, the steering trim is adjusted until the vehicle tracks straight.

C. LED

- **Solid red lights:** Indicates the power is ON and adequate battery power
- **Flashing red lights:** Indicates the battery voltage is critically low. Replace batteries

D. Steering Wheel

E. Throttle/Brake

F. Steering Rate

On-The-Fly knob for travel adjustment on the steering

G. Channel 3

3 position momentary switch, middle position is neutral

For programming press up for A button, press down for B button

H. Throttle Limit

Limits throttle output to 50/75/100%

Select 50% or 75% for less experienced drivers or when you are driving the vehicle in a small area.

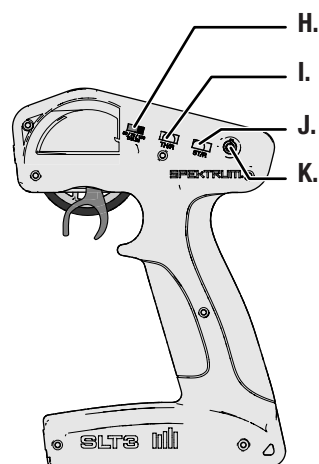
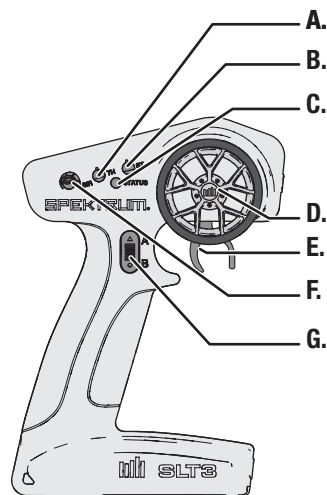
I. Throttle (TH) Servo Reversing

Move the switch to reverse the throttle channel

J. Steering (ST) Servo Reversing

Move the switch to reverse the steering channel

K. Power Button



SERVO TRAVEL

The servo travel on the Steering and Throttle channels can be adjusted through a special programming mode in the transmitter.

1. Begin with the transmitter binding process to the receiver complete. Power ON the receiver.
2. Hold full right and full brake while powering the transmitter ON to put the transmitter into programming mode.
The LED on the transmitter will flash 4 times to indicate it is in programming mode.
3. Turn and hold the wheel full left to set the travel limit for that direction, Press the A button to increase travel, press the B button to reduce travel. The LED will flash once with every change. Return the wheel to center to set the travel value.

IMPORTANT: If the value has reached the maximum or minimum that can be accepted, the LED will not flash with further input.

4. Turn the wheel to the right and repeat the process to set the steering travel to the right.
5. For electric vehicles, power the Transmitter OFF to save the settings. Calibrate your ESC to the default throttle travel.
6. For fuel powered vehicles, set the throttle travel without the engine running; After setting steering travel, you can set throttle travel with the same process. Pull and hold full throttle, adjust travel with the A and B buttons, return to center to set the value.
7. Push full brake, adjust travel with the A and B buttons, return to center
8. Power the transmitter OFF to save the values.

SPMSR315 DUAL PROTOCOL RECEIVER

Specifications

Type: Dual Protocol 3 Ch Receiver* (SLT/DSMR)

Dimensions (LxWxH): 32.5 x 21.5 x 12.4mm

Antenna Length: 90mm

Channels: 3

Weight: 6g

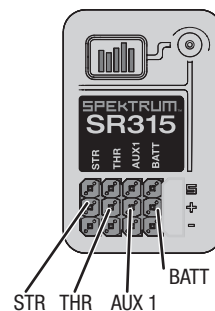
Band: 2.4GHz

Voltage Range: 3.5–9.6V

Bind Type: Bind Button

Failsafe: Hold the steering wheel and throttle trigger in the desired failsafe positions during binding

*SPMSR315 receivers included with the SLT3 transmitter include SLT and DSMR compatibility. If you have an SR315 receiver that was purchased by itself, you may need to install a firmware update to make your SR315 SLT compatible.



RECEIVER ANTENNA

The SR315 receivers feature a coaxial antenna design for easy installation in almost any model. Think of the last 1 inch (32mm) on the tip of the antenna as the active portion of the antenna, the coaxial portion leading up to it is just an extension. Install the antenna so the active portion is positioned as high as possible in the vehicle, and not “in the shadow” of any carbon fiber or metal. The case of the receiver can accept an antenna tube directly, making optimal antenna placement easy (antenna tube not included).

BINDING

Binding is the process of programming the receiver to recognize the GUID (Globally Unique Identifier) code of a single specific transmitter.

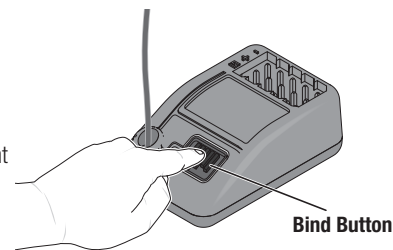
1. Press and hold the bind button, and Power ON the receiver; the orange LED will begin to flash.
2. Set the trims and control positions at the desired failsafe settings, and power ON the SLT3 transmitter.
3. When the orange LED on the SLT3 transmitter remains lit, it is connected to SR315 receiver.



WARNING: Do not kink, cut or damage the antenna wire. The antenna is made of a coaxial wire; if the outer sheath becomes damaged, the receiver will not work properly. If the antenna is damaged in any way, replace the antenna before attempting to use the receiver.

You must rebind when:

- Different failsafe positions are desired e.g., when throttle or steering reversing has been changed.
- Binding the receiver to a different transmitter.



DRIVING PRECAUTIONS

- Maintain sight of the vehicle at all times.
- Routinely inspect the vehicle for loose wheel hardware.
- Routinely inspect the steering assembly for any loose hardware. Driving the vehicle off-road can cause fasteners to loosen over time.
- Do not drive the vehicle in tall grass. Doing so can damage the vehicle or electronics.



CAUTION: Do not discharge a Li-Po battery below 3V per cell. Batteries discharged to a voltage lower than the lowest approved voltage may become damaged, resulting in loss of performance and potential fire when batteries are charged.

IMPORTANT: Keep the wires away from any moving parts.

BEFORE RUNNING THE VEHICLE

1. Check for free suspension movement. All suspension arms and steering components should move freely. Any binds will cause the vehicle to handle poorly.

TIP: To increase the ride height and ground clearance of your vehicle, screw down the shock collars to compress the springs.

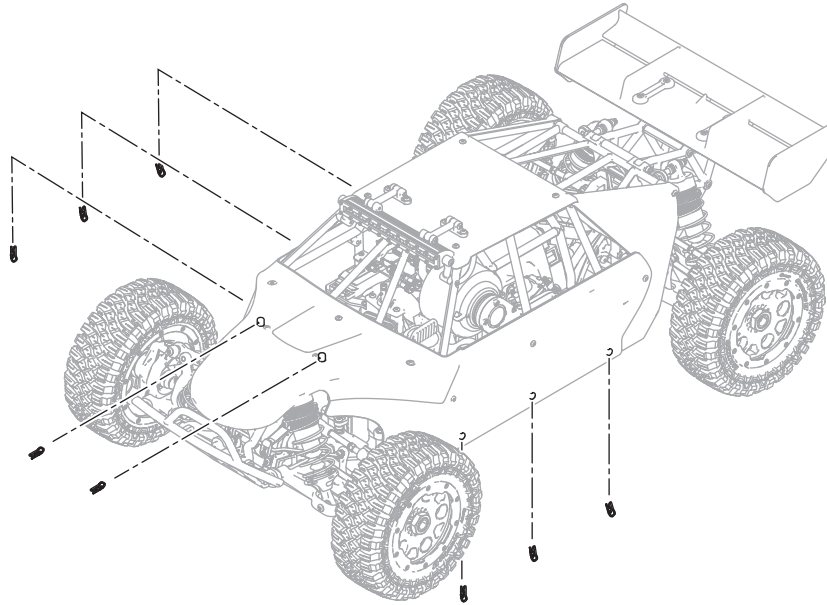
2. Charge a battery pack. Always charge the battery pack as per the battery and/or charger manufacturers' instructions.
3. Set the transmitter steering trim. Follow the instructions to set the steering trim/subtrim so that the vehicle drives straight with no input to the steering.
4. Perform a Control Direction Test.

B

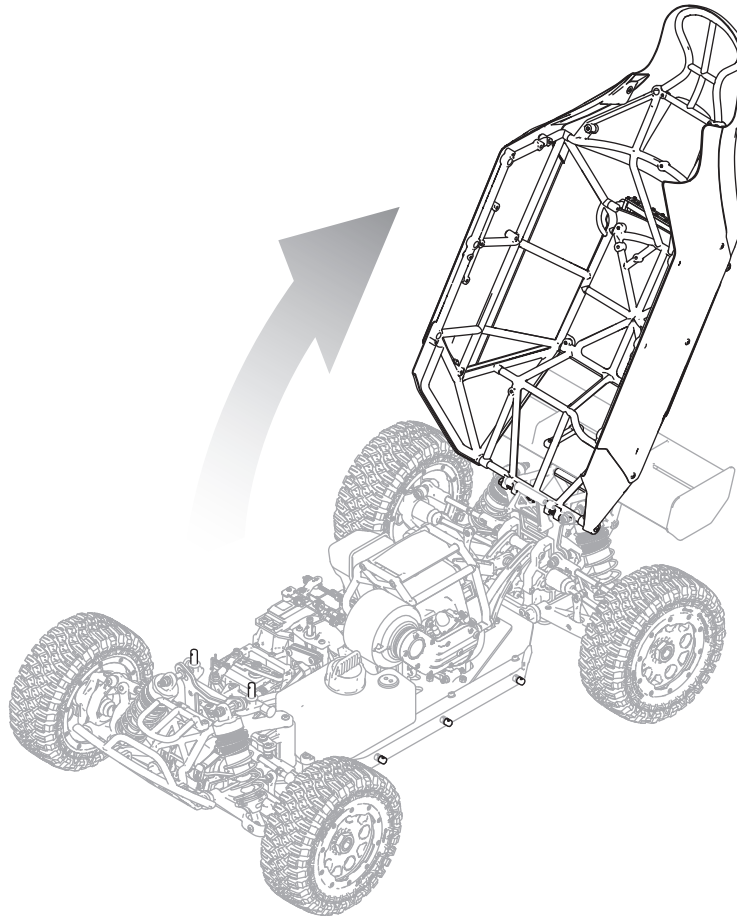
Opening the body for maintenance

REMOVE THE BODY PINS (8) AND LIFT THE BODY FOR ACCESS TO THE CHASSIS

Remove the 8 body pins securing the cage. There are 2 on the main hood, and 3 located on each side connecting the cage to the side guard.



Once the body pins are removed, gently pull outward on the lower section of the cage so that the side of the cage becomes free from the side guards.





Fuel Preparation

BASIC FUEL WARNINGS AND GUIDELINES

- Always observe all warnings and precautionary statements on fuel.
- Fuel is a fire accelerant. Never operate your vehicle near open flames. Never smoke while operating your vehicle or while handling fuel.
- Always only use a mixture of gasoline and two-cycle oil for fuel. Do not use glow (nitro) fuel.
- Always use caution when handling gasoline.
- Always run your model engine in a well-ventilated area. Model engines produce harmful carbon monoxide fumes.

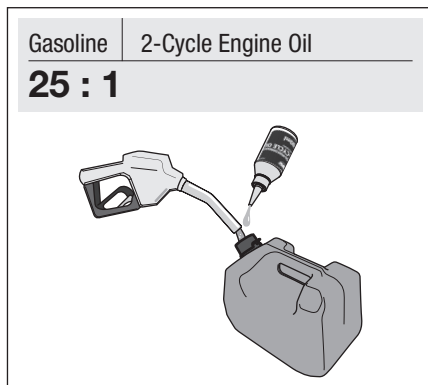
FUEL REQUIREMENTS

The fuel is a mixture of gasoline and 2-cycle oil. Use a 25:1 ratio gasoline to oil. Gasoline should be 87–93 Octane AKI in the United States or 92–98 Octane RON in Europe.

FUEL MIXING PRECAUTIONS AND GUIDELINES

- Always observe all warnings, precautionary statements and instructions supplied by the fuel manufacturer/provider.
- Only use gasoline mixed with two-cycle engine oil.
- Only use pre-mix two-cycle engine oil. Do not use any other kind of oil.
- Always use 87–93 Octane AKI (US) gasoline or 92–98 Octane RON (Europe).
- Always mix fuel in a sealable, water-resistant container specifically made for gasoline.
- Always blend gasoline with two-cycle engine oil at a 25:1 ratio.
- Never use glow (nitro) fuel.

MIXING THE FUEL



Gasoline	:	2-Cycle Engine Oil
1 gallon	:	5.1 fl oz
1/2 gallon	:	2.6 fl oz
1/4 gallon	:	1.3 fl oz
4 liters	:	160 ml
2 liters	:	80 ml
1 liter	:	40 ml

FUEL STORAGE PRECAUTIONS AND GUIDELINES

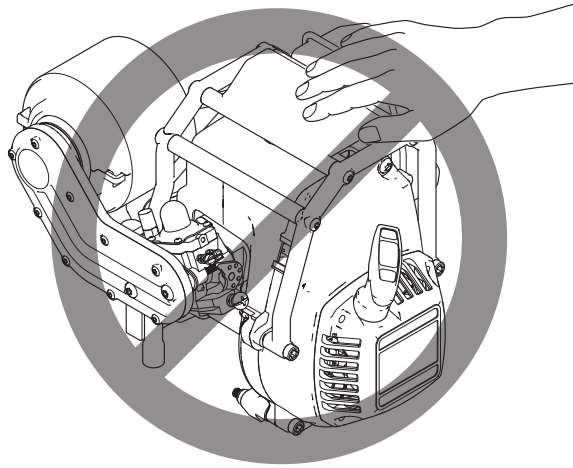


- Always drain your engine after you have finished running your vehicle. Do not store the vehicle with fuel in the gas tank.
- Never handle model engines and mufflers until they have had time to cool. They become extremely hot when in use.
- Always store your fuel in a safe place well away from sparks, heat or anything that can ignite.
- Always ensure that gasoline and fuel are stored in a clearly marked container well away from the reach of children.
- Always store your fuel safely in a sealed, water-resistant container specifically made for gasoline.
- Always store fuel in a cool, dry location. Do not allow fuel containers to come in direct contact with concrete, as the fuel may absorb moisture.
- Always responsibly discard fuel if there is condensation and/or water inside the fuel container.
- Never allow fuel to come into contact with eyes or mouth. Gasoline and other fuels used in model engines are poisonous.
- Never return unused fuel from the fuel tank back into the fuel container.

D

Vehicle Starting and Running

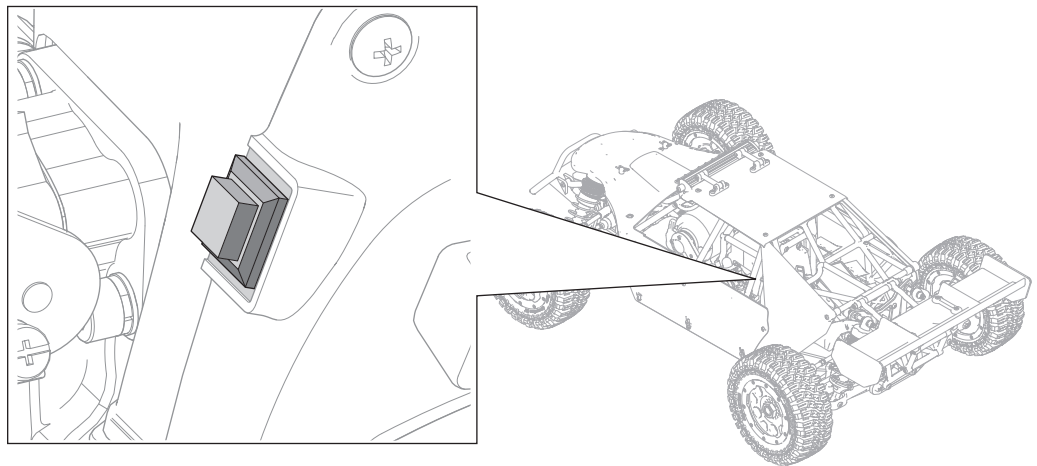
CAUTION: Make sure you understand all engine instructions before attempting to start the engine. Failure to follow all instructions can lead to damage to your vehicle, property damage and bodily injury.



CAUTION: Do not touch the engine or muffler during or after running as they can become extremely hot during use.

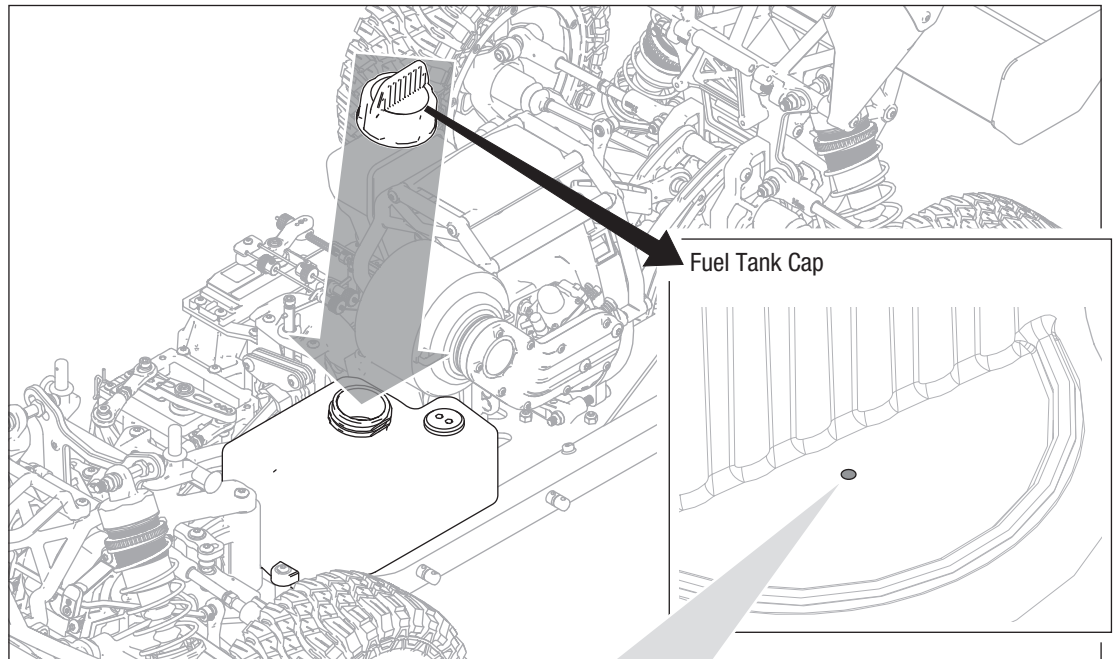
ENGINE STOP SWITCH

If there is a problem with the vehicle while the engine is running, press the engine stop switch, located near the pull-starter, to shut off the engine.



FUELING THE VEHICLE

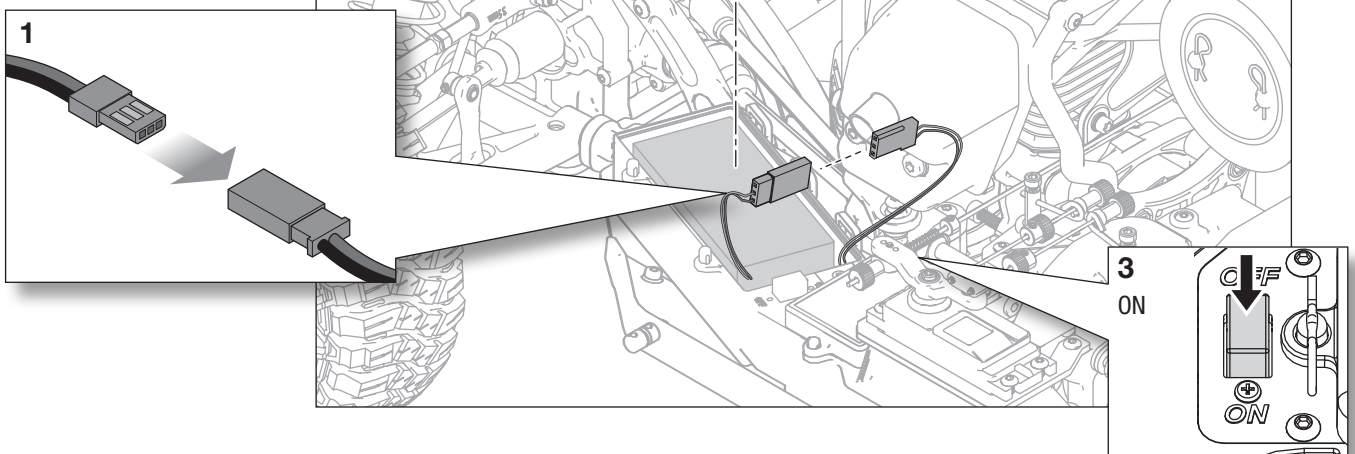
Remove the fuel tank cap and fill the fuel tank. Tighten the fuel tank cap securely back in place. Please note that the body does not have to be removed to fuel the vehicle.



CAUTION: Do not tilt the vehicle even when the Fuel Tank Cap is back in place as gasoline may leak from the vent hole in the cap.

TURNING THE SYSTEM ON

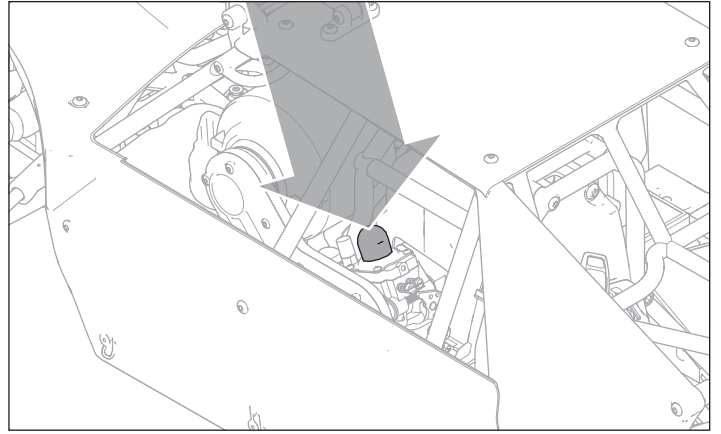
1. Install a fully charged receiver battery.
2. Power on the transmitter.
3. Power on the receiver.
4. Check to ensure that the steering and throttle are functioning properly. It is good practice before starting any gas powered RC vehicle to ensure that the steering and throttle are functioning as you expect.



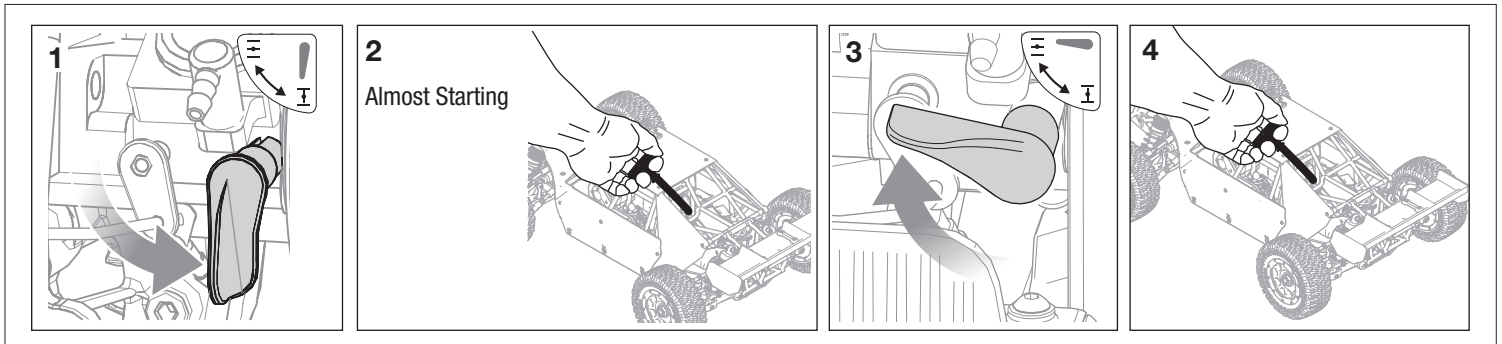
CAUTION: Make sure that the positive and negative connectors are not reversed.

PRIMING THE ENGINE

The engine must be primed before it can be successfully started. Push the primer bulb (pictured) until it fills with fuel and fuel flows through the yellow return line.



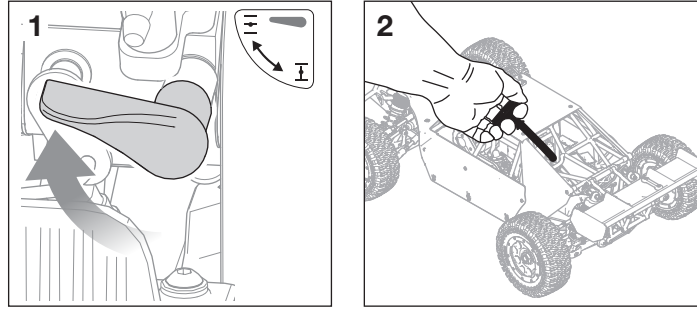
STARTING PROCEDURE: COLD ENGINE



Only use the choke if the engine does not start normally. Using the choke can easily flood the engine with fuel.

1. Set choke lever as shown in Step 1 (choke on).
2. Pull start cord in a quick continuous motion (about 3 times) until you hear the engine almost start, then stop. Be careful not to flood the engine with fuel. DO NOT pull more than 50 cm/20 in or you can damage the pull start assembly.
3. Set the choke lever as shown in Step 3 (choke off).
4. Pull the starter cord to start the engine. The engine should start within 6 pulls.

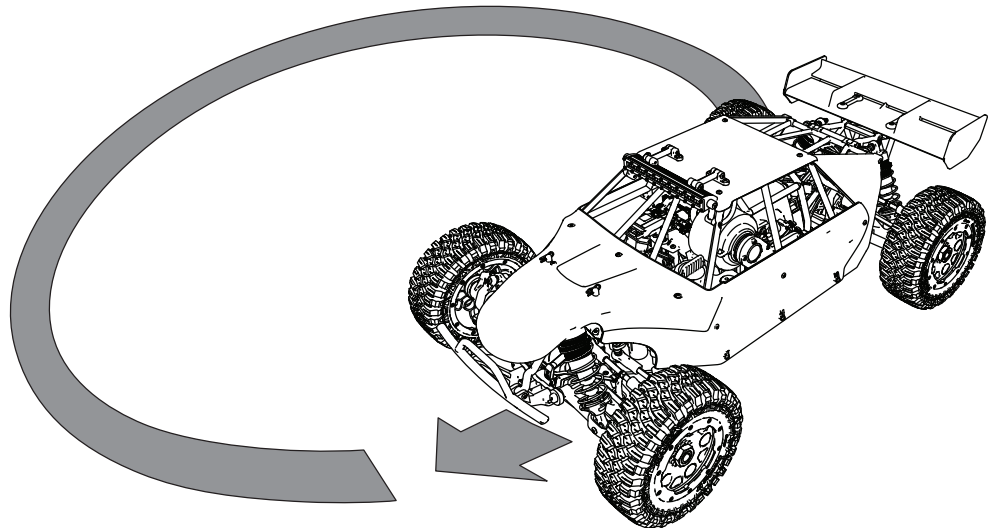
STARTING PROCEDURE: HOT ENGINE



1. Set the choke lever as shown in Step 1 (choke off).
2. Pull the starter cord in a quick continuous motion to start the engine. The engine should start within 6 pulls.

BREAKING IN THE ENGINE

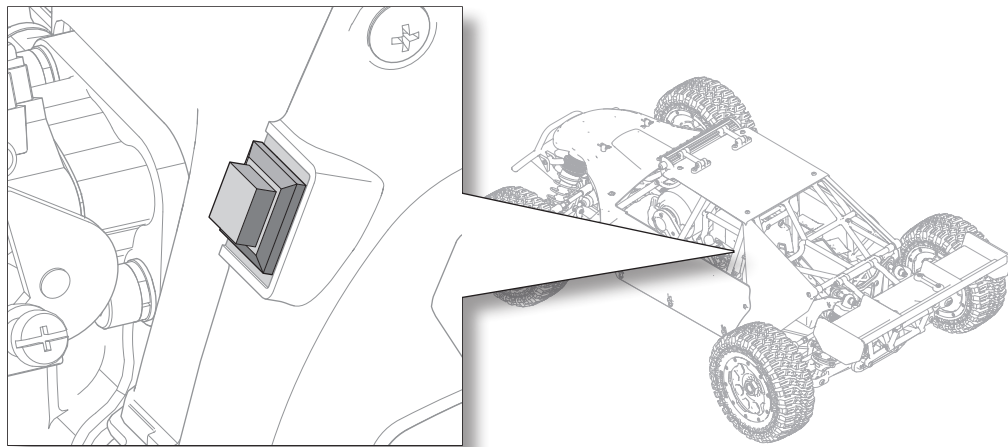
Allow the engine to idle for 2-3 minutes to achieve operating temperature. Drive slowly for the first tank of fuel (about 35-40 minutes) to break in the engine. Avoid any long full throttle pulls during the first tank (more than 1-2 seconds).



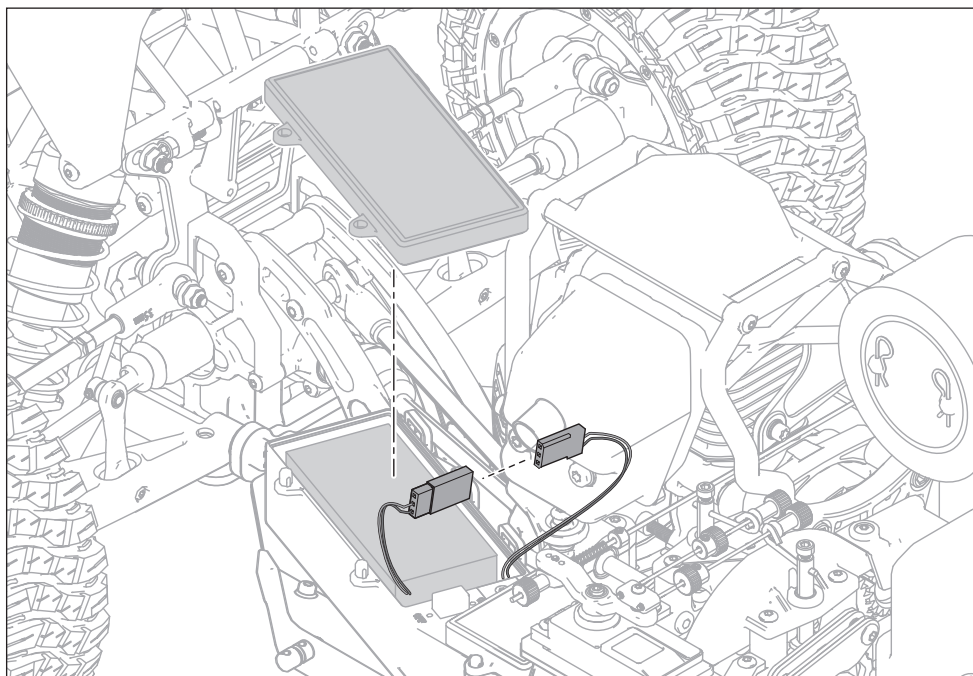
NOTICE: Do not adjust carburetor settings during break-in. Doing so will cause engine damage.

STOPPING THE ENGINE

Push the engine stop switch to shut off the engine.



TURNING THE SYSTEM OFF



1. Power off the receiver first.



CAUTION: Never power off the transmitter before the vehicle. You will lose control of your vehicle.

2. Power off the transmitter.

3. Check the receiver battery voltage. Remove the battery and charge it if necessary.

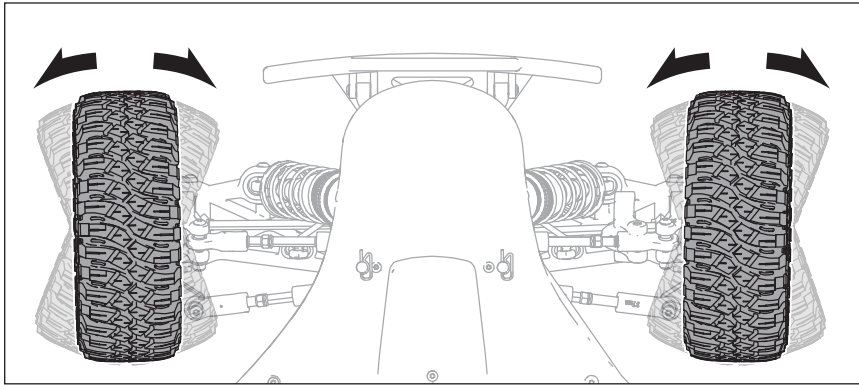


WARNING: Never charge the LiPo receiver battery while installed in the vehicle. Refer to your battery's charging warnings.

4. After the final run of the day, remove and safely store the receiver battery.

ADJUSTING STEERING AND THROTTLE TRIMS

Steering Trim



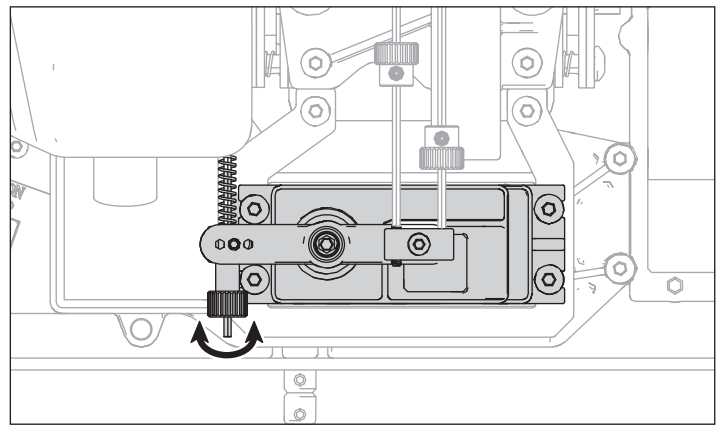
Adjust the steering trim to center the tires. If the steering output arm is not close to its desired neutral position after the binding process and steering cannot be centered using trim, take the following steps:

1. Make sure the trim is set to neutral.
2. Remove the servo output arm and replace the arm in correct orientation.
3. Trim the steering as described above.

Throttle Trim

Adjust the throttle trim so the carburetor is completely closed at neutral. If the throttle output arm is not close to its desired neutral position after the binding process and throttle cannot be centered using trim, take the following steps:

1. Make sure trim is set to neutral.
2. Remove the servo output arm and replace the arm in correct orientation.
3. Trim the throttle as described above.



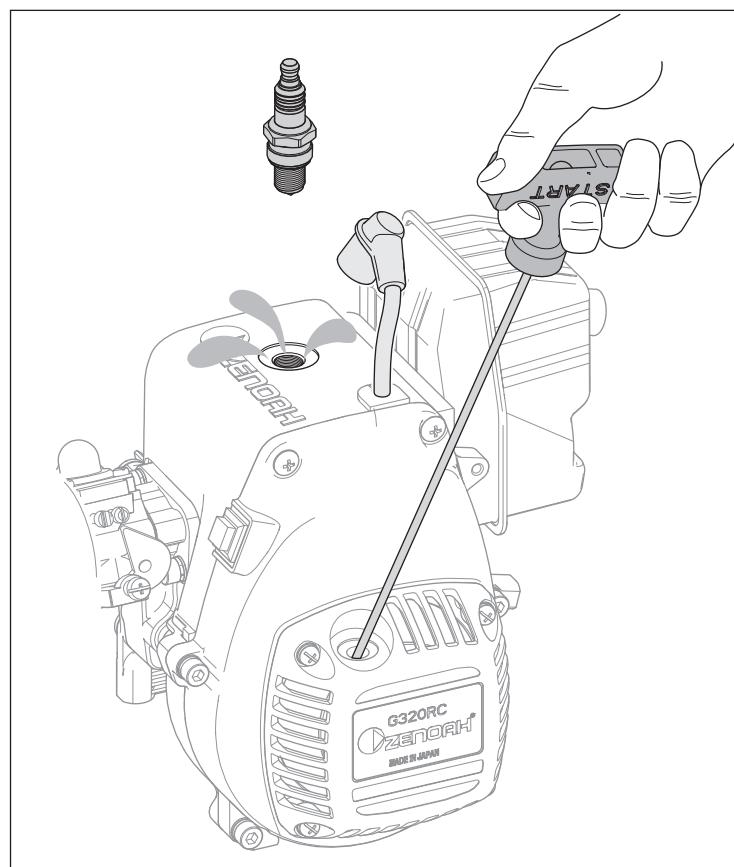
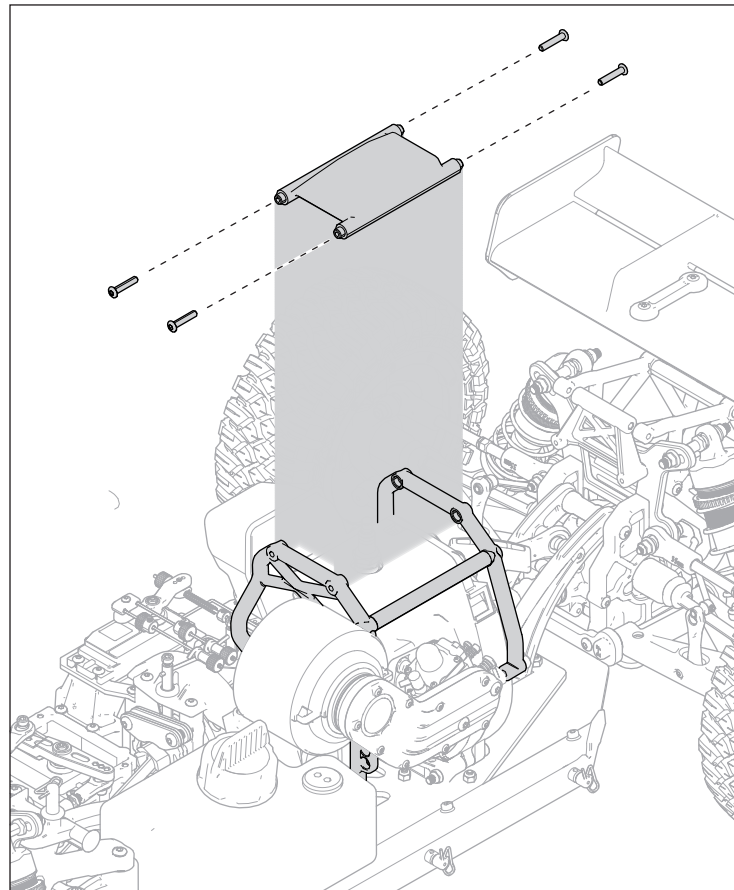
FLOODED ENGINE

The engine will not start if too much fuel is in the cylinder. Follow the steps below to remove excess fuel from the cylinder:

1. Allow the engine to cool completely.
2. Remove the top plate from the engine cage to be able to access the spark plug.
3. Remove the spark plug.
4. Pull the starter handle quickly 3 times.

CAUTION: Keep face and eyes away from the spark plug opening while pulling the starter handle. Gasoline could spray from the cylinder, causing serious injury.

5. Replace the spark plug and make sure the boot is tightly secured.

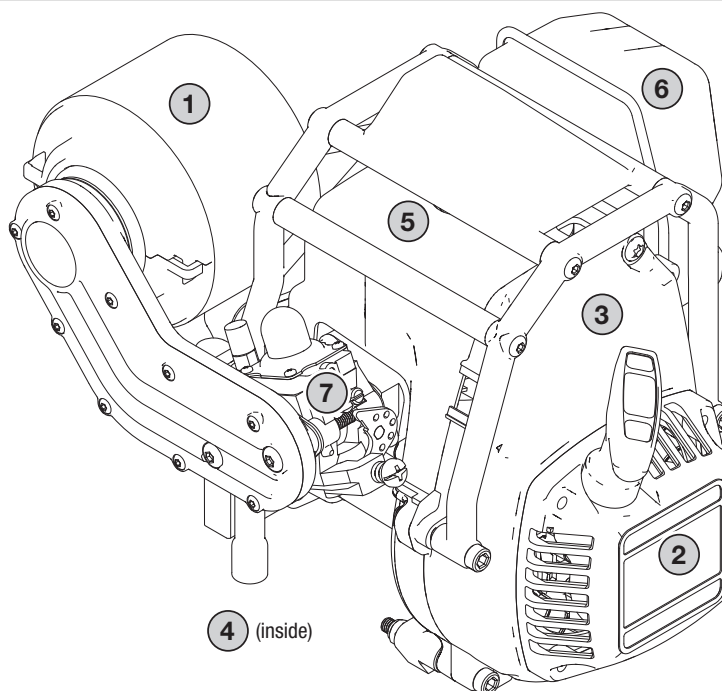




Engine Tuning

Engine

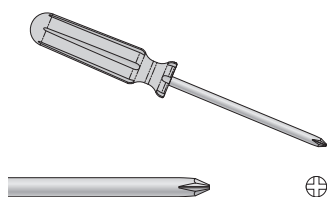
Inspect the engine for damage or wear. Replace, clean or repair as needed.



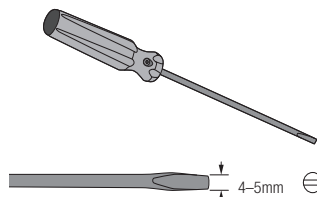
1. Inspect the filter for damage or dirt. Replace if necessary. Ensure all screws for the air filter housing are tight.
2. Inspect the pull start; clean and perform any needed maintenance before installing.
3. Inspect cover for cracks or damage. Replace as needed.
4. Inspect the flywheel for broken fins or damage. Replace as needed.
5. Inspect the condition of the spark plug and wire. Replace as needed.
6. Inspect the muffler for damage and leaks. Tighten the screws.
7. Clean and check the carburetor for leakage and smooth operation.

INTRODUCTION TO ENGINE TUNING

Required Equipment



#2 Screwdriver



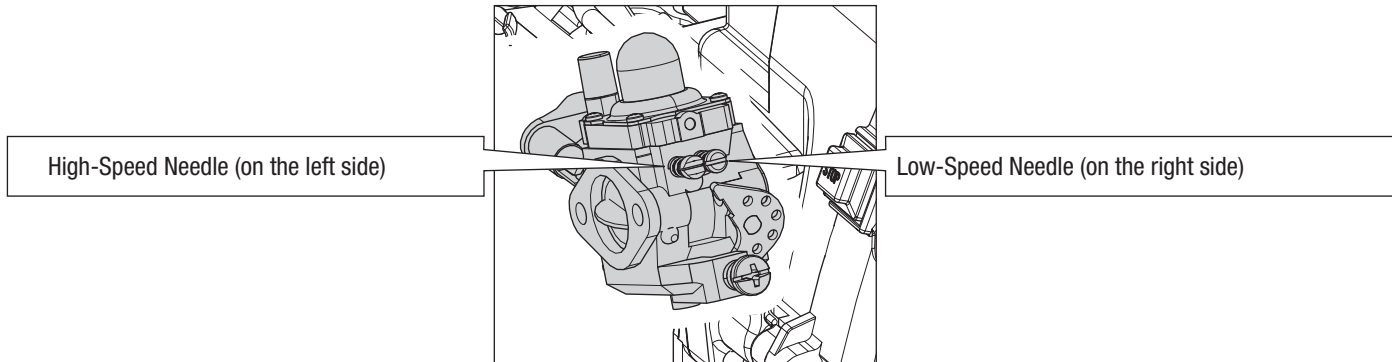
Standard Screwdriver

The engine can be further tuned from the factory settings to optimize performance under various conditions. If you lose track of the engine settings, please revert back to the factory carburetor settings (see next page).

Before making adjustments:

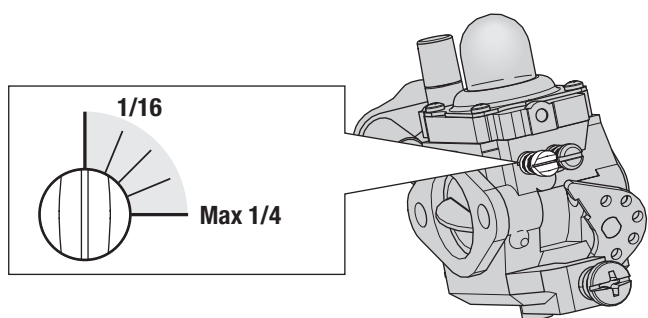
- Please make sure that the small vent hole in the Fuel Tank Cap is open and air filter is clean, as it will affect engine performance and tuning.
- The carburetor needle is very sensitive. Adjusting the needle even 1/16 of a turn is a significant change. Be careful when making adjustments.

FACTORY CARBURETOR SETTINGS



Close the high-speed needle by turning it clockwise until it stops. Then turn it counterclockwise 1 7/8 turns out (open).
 Close the low-speed needle turning it clockwise until it stops, then turn it counterclockwise 1 3/8 turns out (open).

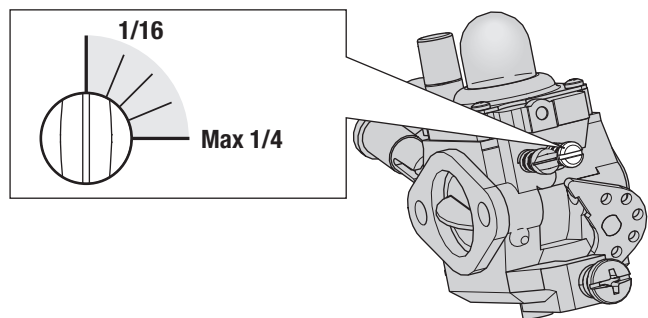
ADJUSTING THE HIGH-SPEED NEEDLE



If the top speed is slow, turn in the high-speed needle 1/16 turn and test. Do not exceed 1/4 turn in from factory setting (minimum 1 5/8 turns out from closed) or the engine will be damaged.

NOTICE: When making adjustments, only turn the needle 1/16 turn at a time. Never exceed 1/4 turn in (1 5/8 turns out from closed) or the engine will be damaged.

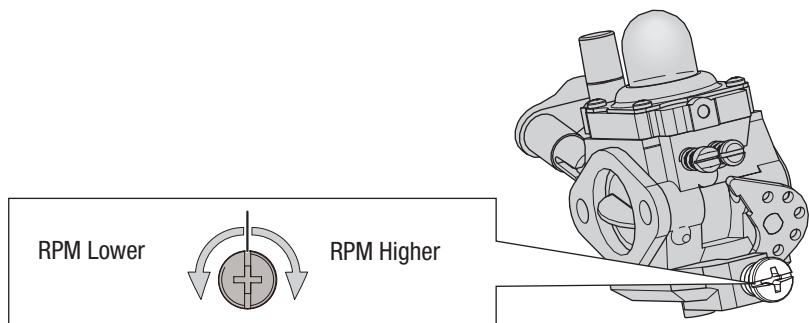
ADJUSTING THE LOW-SPEED NEEDLE



If the vehicle accelerates slowly, turn in the low-speed needle 1/16 turn and test. Do not exceed 1/4 turn in from factory setting (minimum 1 1/8 turns out from closed) or the engine will be damaged.

NOTICE: When making adjustments, only turn the needle 1/16 turn at a time. Never exceed 1/4 turn in (1 1/8 turn out from closed) or the engine will be damaged.

IDLE ADJUSTMENT



If the idle is set too high (vehicle moves at idle) or too low (engine does not stay running), adjust the idle speed on the carburetor.

F

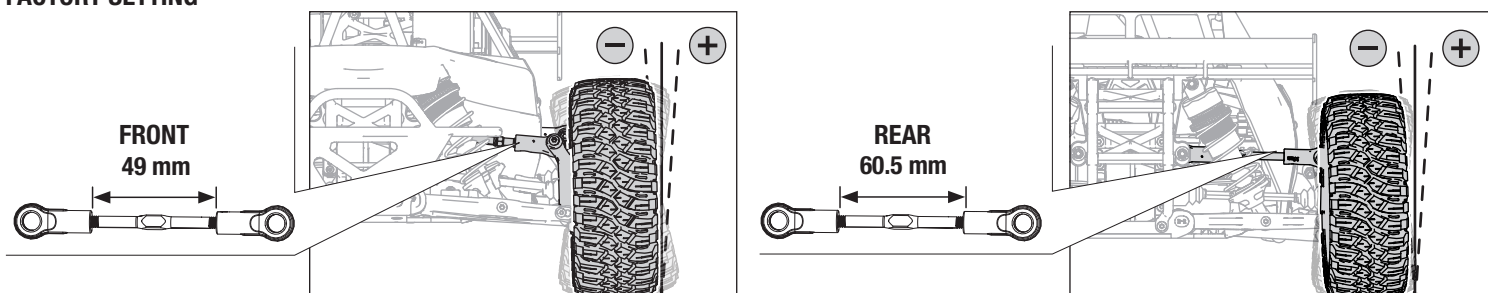
Vehicle Tuning

CAMBER

Camber Links	Characteristics	
Lowering the Link	Front	Increases off-power steering and makes the vehicle more responsive. Handling consistency may decrease as off-power steering increases
	Rear	Increases off-power chassis rotation and makes the vehicle more responsive
Raising the Link	Front	Reduces off-power steering and provides greater handling consistency
	Rear	Reduces off-power chassis rotation and provides greater handling consistency

Always use negative camber (tires leaning in). Standard negative camber settings range from -1/2 to -3 degrees.

FACTORY SETTING



Camber	Characteristics	
More Negative Camber	Front	Quicker reaction with more steering
	Rear	Less rear traction on entry and mid-corner
Less Negative Camber	Front	Slower reaction with less steering
	Rear	More traction on entry and mid-corner

DROOP

Always measure the droop (down travel) with the shocks on the vehicle. Droop is measured from the center of the top shock mount to the center of the bottom shock screw. More front and rear droop will accelerate better in bumps when

going straight, but can cause the vehicle to traction roll in rough turns. Less front and rear droop will slide over bumps better in turns and may be better on high-speed and high-traction tracks.

Droop	Characteristics	
More	Front	Increases on-power steering and lets the rear of the vehicle roll more when applying throttle
	Rear	Increases off-power steering and lets the front of the vehicle roll more when removing throttle
Less	Front	Decrease steering response
	Rear	Good for high-traction surfaces

SHOCK OIL

Adjust oil weight when there is a drastic temperature change (20 - 25° F/12 - 14°C). Stock Shock Oil front and rear is 40wt.

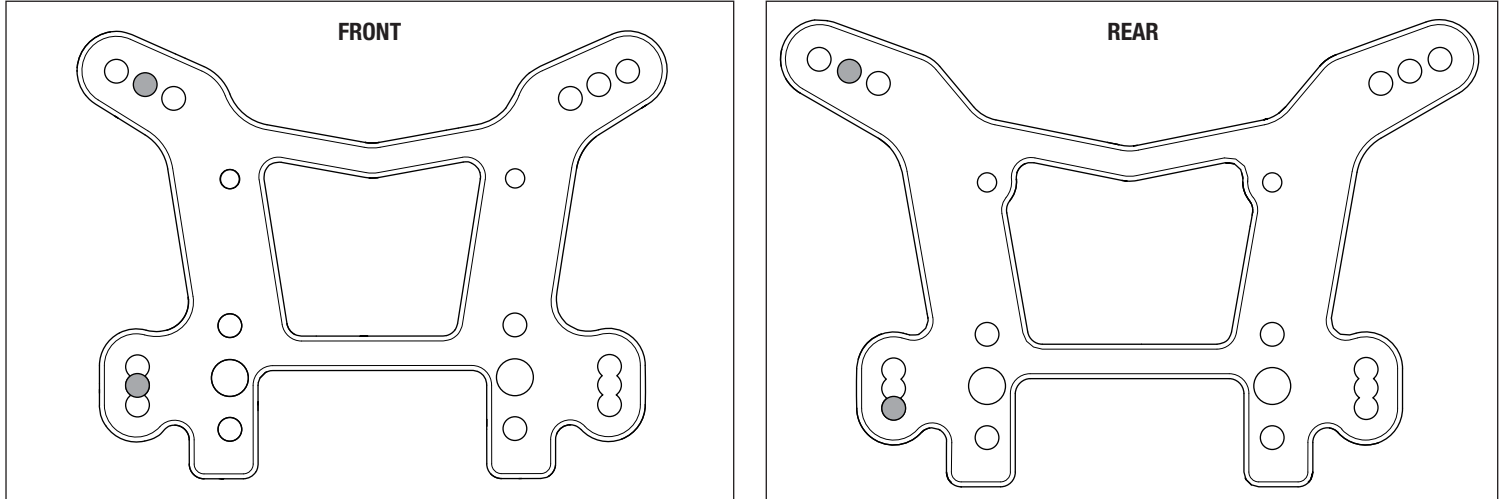
Shock Oil	Characteristics	
Lighter	Responds quicker and creates more chassis roll	
	Use lighter oil as it gets colder	
Heavier	Reacts slower and creates less chassis roll	
	Use heavier oil as it gets warmer	

SHOCK SPRINGS

Springs		Characteristics
Softer	Front	Produce more steering
	Rear	Helpful on rough tracks but may hamper jumping ability and allow the chassis to bottom out much easier
Firmer	Front	Decrease steering response
	Rear	Good for big jumps and high-traction surfaces

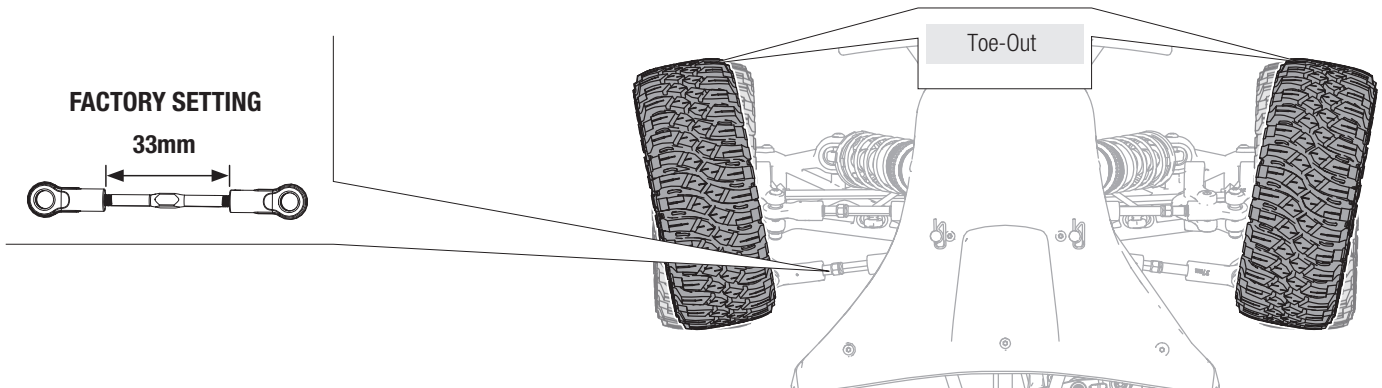
SHOCK MOUNTING POSITIONS

Moving the shocks in on the tower makes the vehicle more forgiving. Moving the shocks out on the tower makes the vehicle more responsive and better for technical tracks.



FRONT TOE

Never run front toe-in which can cause limited steering response.



Front Toe	Characteristics
Toe-Out	Toe-out (shorter steering rods) increases steering response when entering the turn and straight line stability; however, it will decrease on-power steering

SWAY BARS

The vehicle is equipped with medium (4mm) sway bars on the front and rear.

Sway Bars		Characteristics
Thinner	Front	Increases front off-power traction, but has less on-power steering
	Rear	Increases rear traction and decreases on-power steering
Thicker	Front	Decreases off-power traction with smoother steering entering the turn, but has more on-power steering
	Rear	Increases stability in turns and on-power steering

Tip: Thicker sway bars are more stable on high-speed, high-traction tracks.

DIFFERENTIALS

Differential	Weight Oil	Light Weight Oil	Heavier Weight Oil
Front	30,000	Increases off-power steering. Oil that is too thin will make diff action inconsistent	Increases off-power stability and on-power steering
Center	50,000	Has less forward drive and can unload the drivetrain easier under acceleration, which can be good on rough and slick tracks	More acceleration and increases on-power steering, but decreases off-power steering. Thicker center diff oil is better on high traction/smooth tracks
Rear	30,000	Has more side traction and increased steering in the middle of a turn	Less steering in the middle of the turn but more forward traction

GEARING

Stock gearing for the DBXL 2.0 Gas Buggy is 20/62.

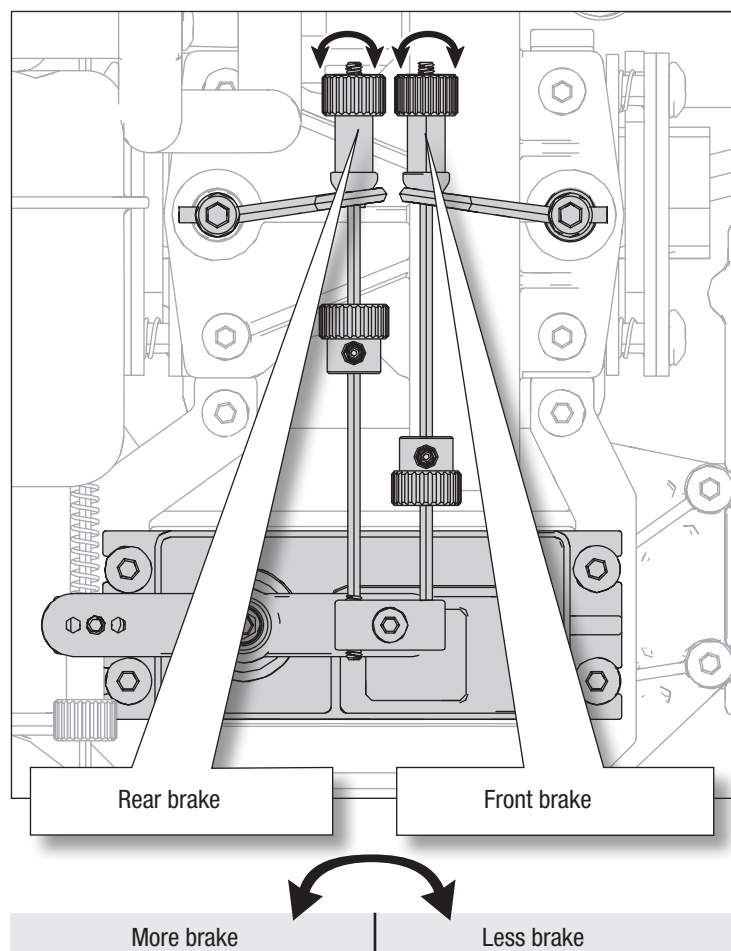
- If you are running on a large, sweeping track and need more top speed, a 21-tooth pinion (LOS352011) is available (pair with LOS252139 engine mounting slugs).
- For shorter, technical tracks, a 19-tooth pinion (LOS352011) is also available (pair with LOS252137 engine mounting slugs).

BRAKE BIAS

Standard brake bias is 60% rear and 40% front.

If you need more chassis rotation under braking, adjust the linkage for less front brake.

If the buggy is loose entering turns under braking, adjust the linkage for less rear brake or more front brake.

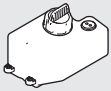
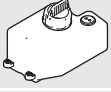
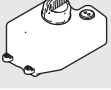


RIDE HEIGHT

Set the truck on a flat surface and turn the threaded collars on the shocks evenly so both the front and rear suspension arms are level.

G

Vehicle Maintenance

	<p>The following items require frequent maintenance every 1–2 tanks.</p>
 <p>x 6</p>	<p>The following items require semi-frequent maintenance every 6 tanks.</p>
 <p>x 12</p>	<p>The following items require infrequent maintenance every 12 tanks.</p>

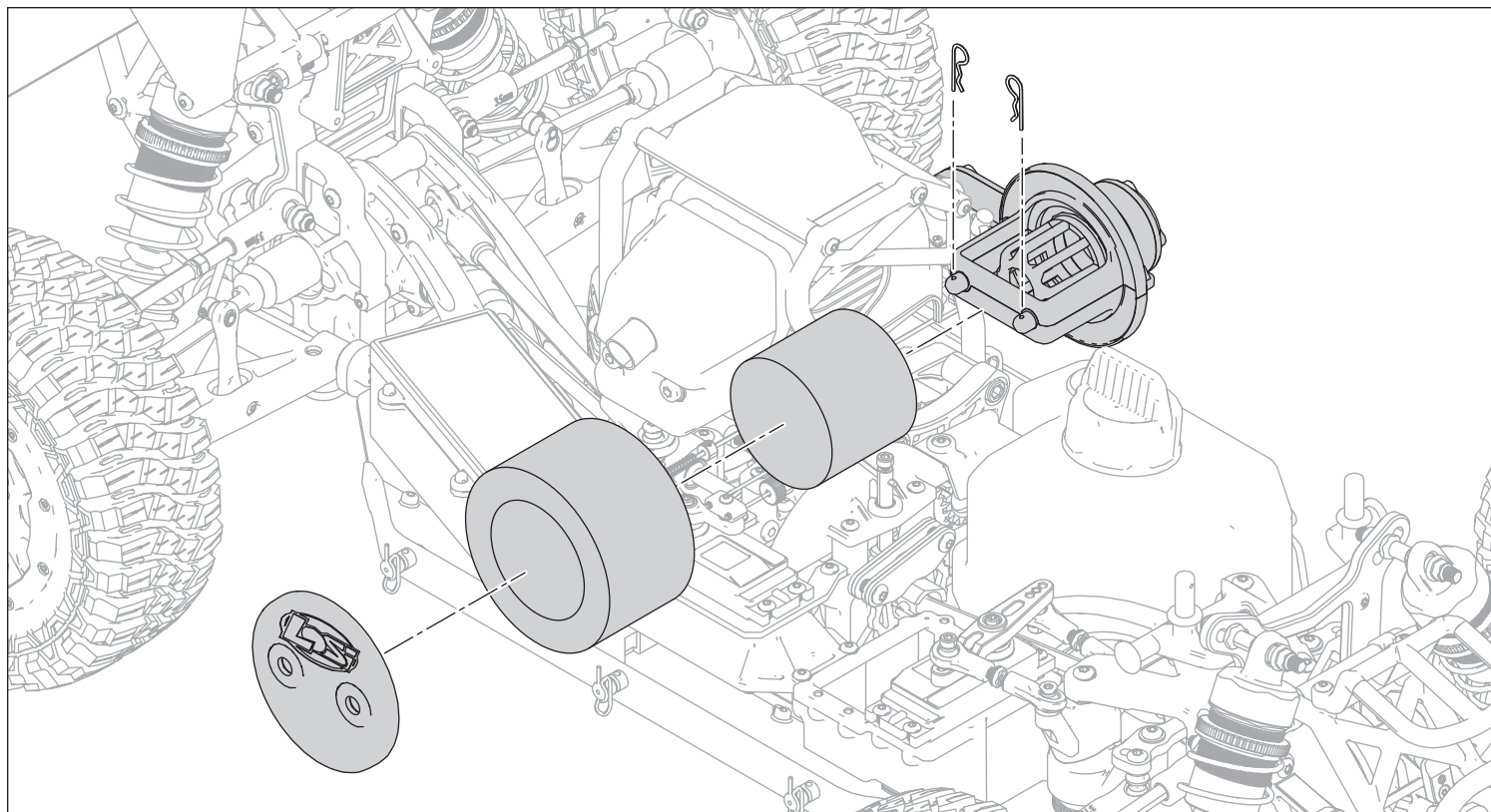
FREQUENT MAINTENANCE

	<p>The following items require frequent maintenance every 1–2 tanks.</p>
---	--

Air Filter

Your engine cannot tolerate dirt. Proper air filter maintenance is required for the engine to provide the best power and long life. After every run, check the air filter foam. Replace if clogged. (The air filter may also be cleaned and re-oiled with proper products available at automotive and hobby stores.)

Remove Air Filter Foam



NOTICE: Never run the engine without an oiled air filter.

SEMI-FREQUENT MAINTENANCE

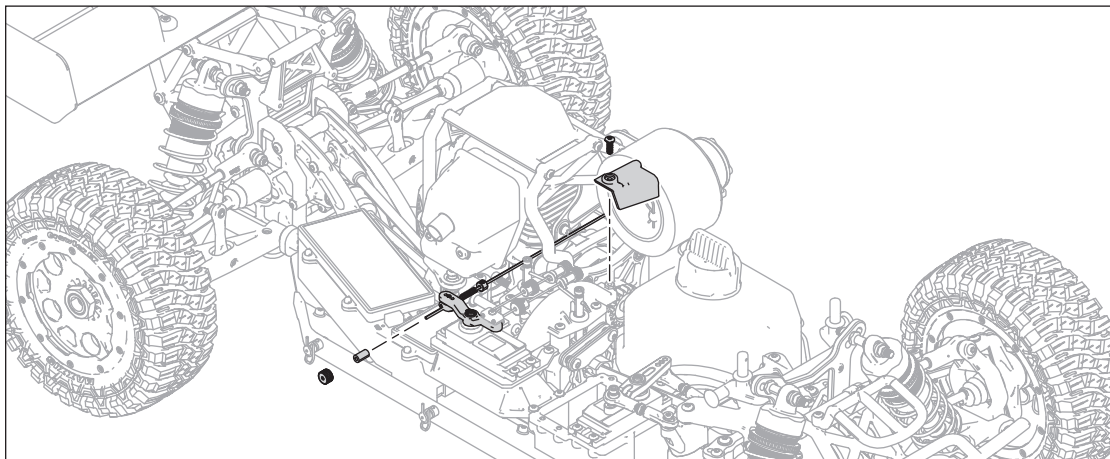


The following items require semi-frequent maintenance every 6 tanks.

Maintenance of the pull start and clutch assemblies require removal of the engine from the chassis.

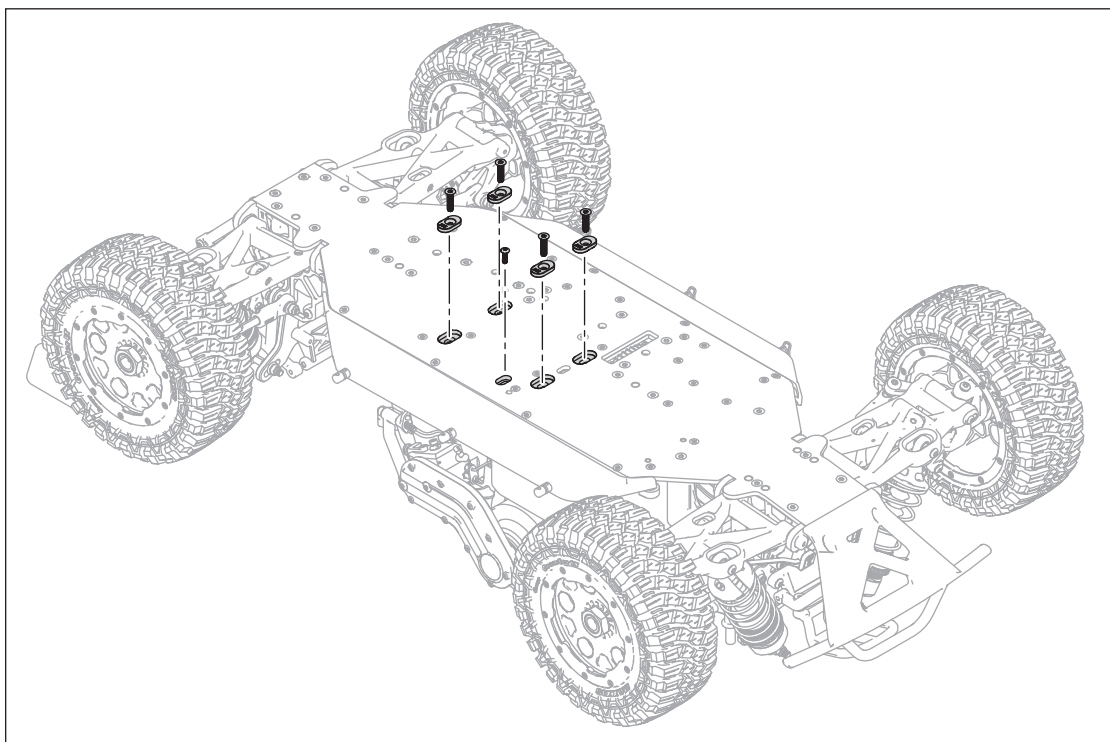
Engine Removal

Drain the fuel tank: remove fuel lines, linkage and gear cover.



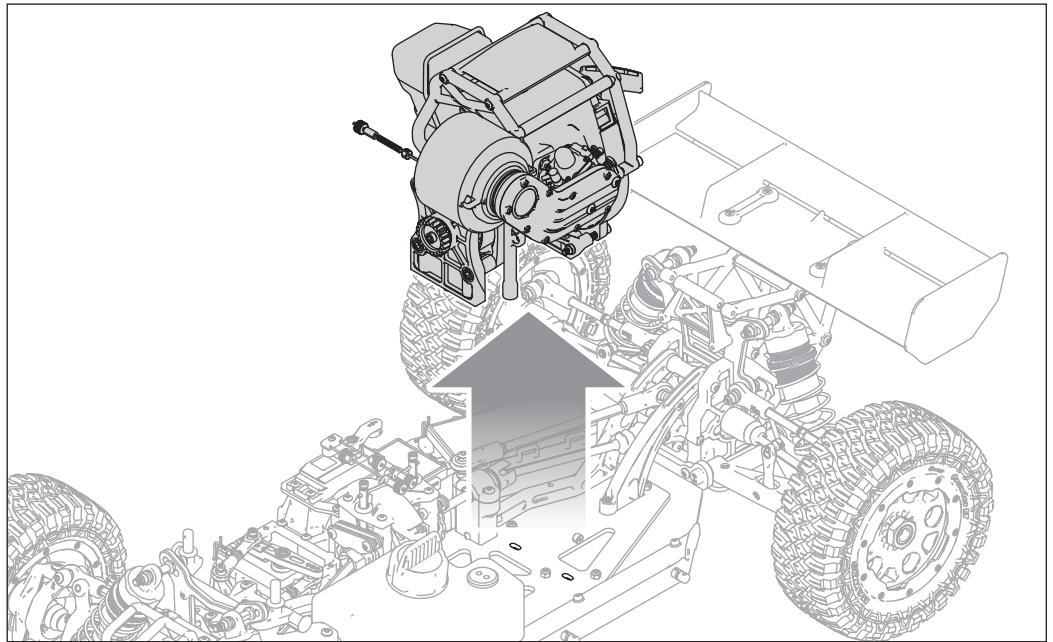
CAUTION: See **Section C** for proper fuel handling and storage.

Remove the lower engine mounting inserts, noting their orientation before removing. Different offset engine mounting inserts are available to adjust the gear mesh.



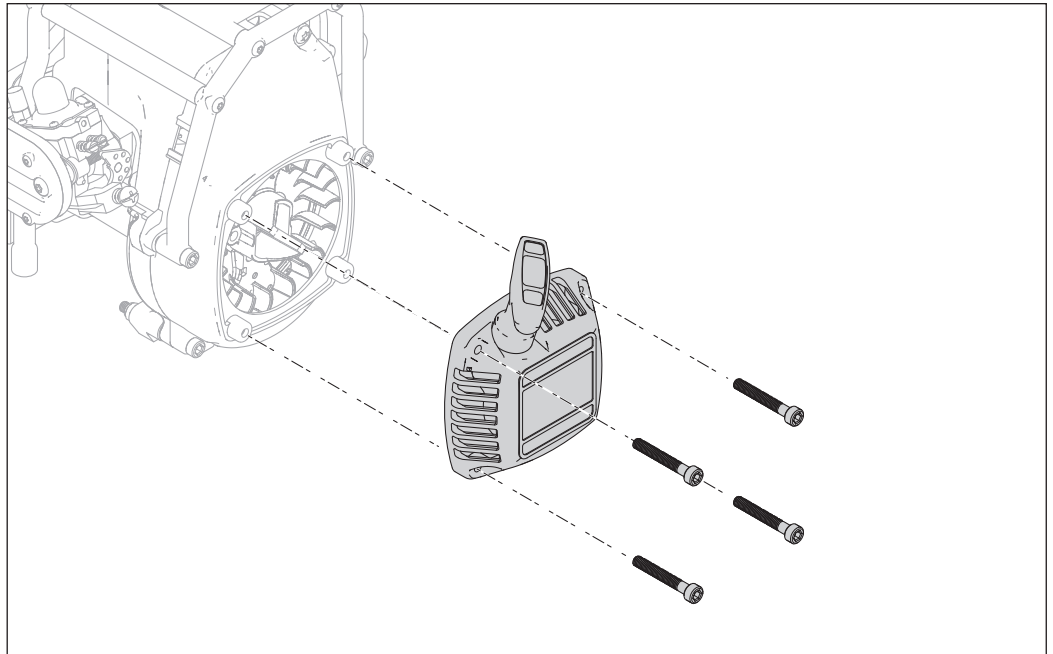
Pinion Gear	Pinion Part Number	Engine Slug Part Number
19T	LOS352010	LOS252137
20T	LOS252016	LOS232138
21T	LOS352011	LOS232139

Lift the engine from the chassis.

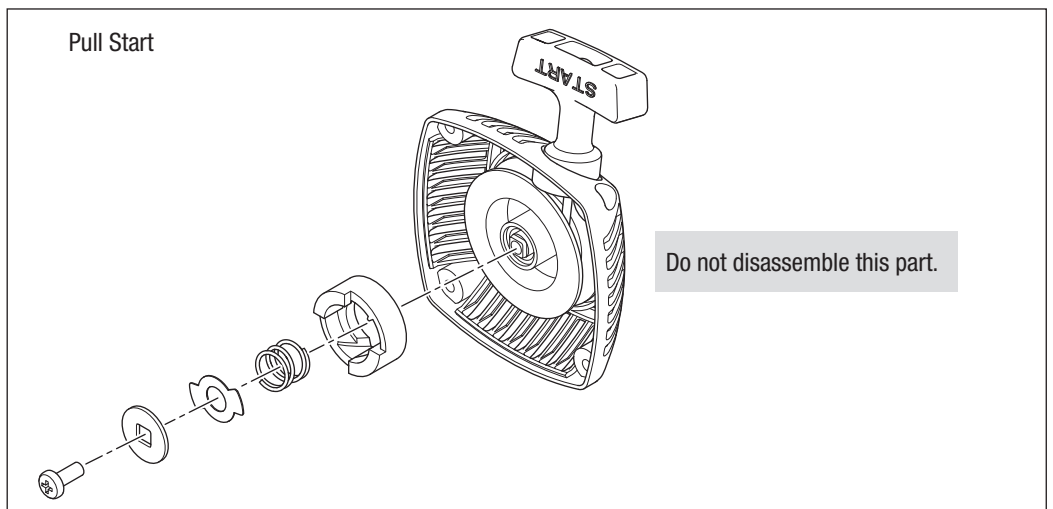


Pull Start

Remove the cover and pull start and clean out any foreign matter.

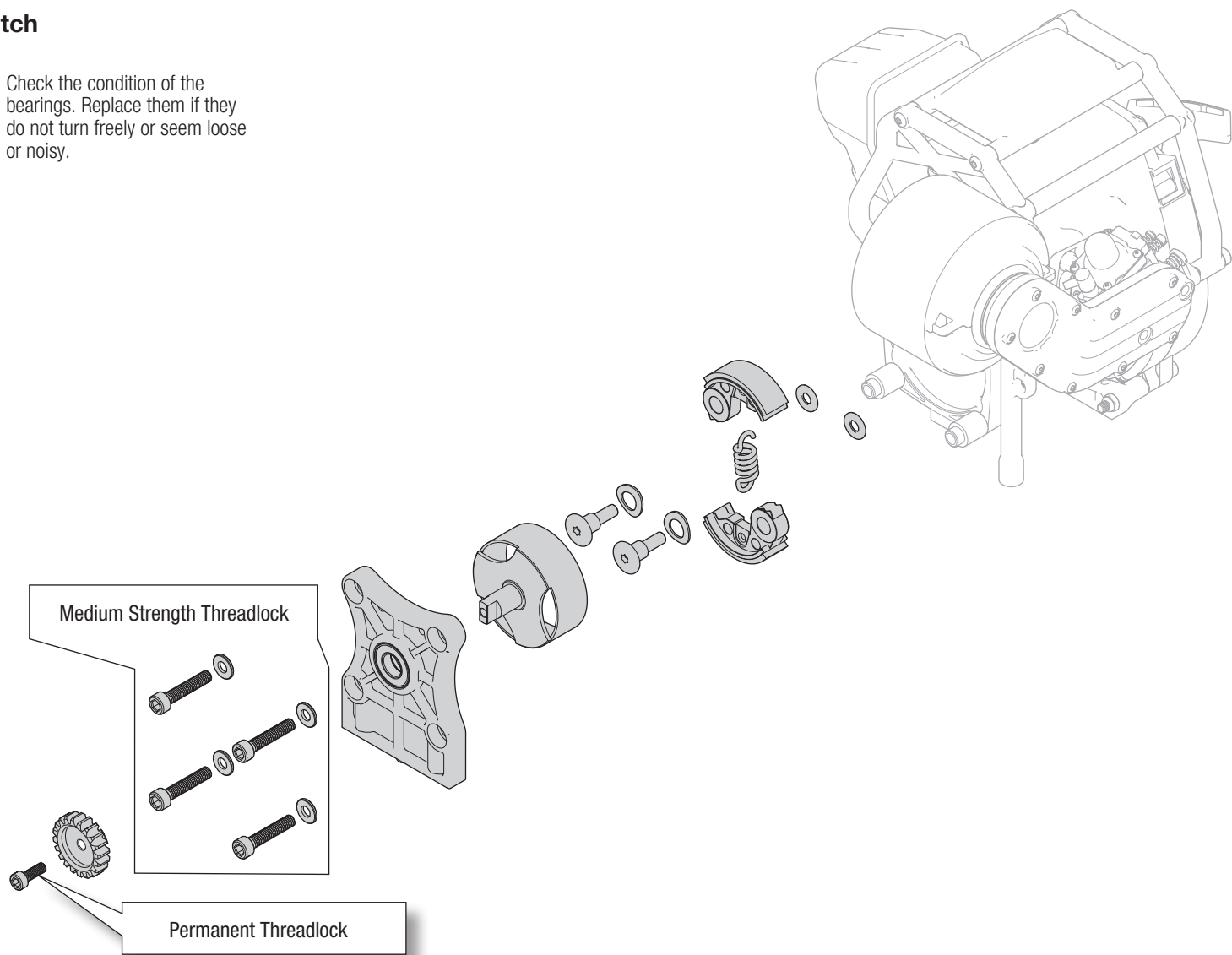


Each part must be cleaned for smooth operation. Replace the pull start assembly if worn or damaged (LOSR5010).

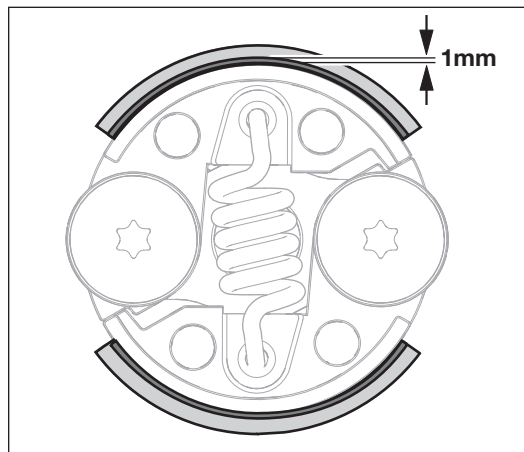


Clutch

Check the condition of the bearings. Replace them if they do not turn freely or seem loose or noisy.



If worn to within 1mm, replace with LOSB5039.



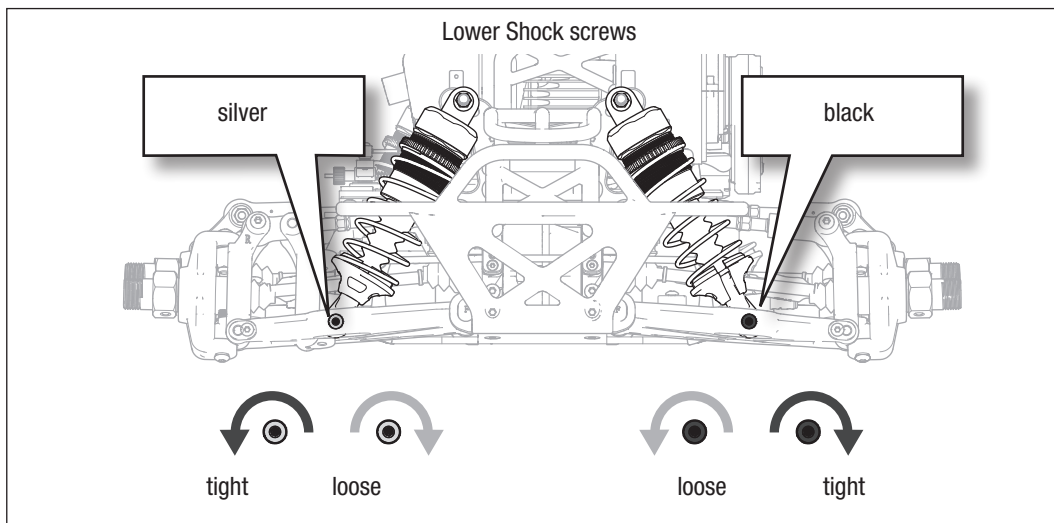
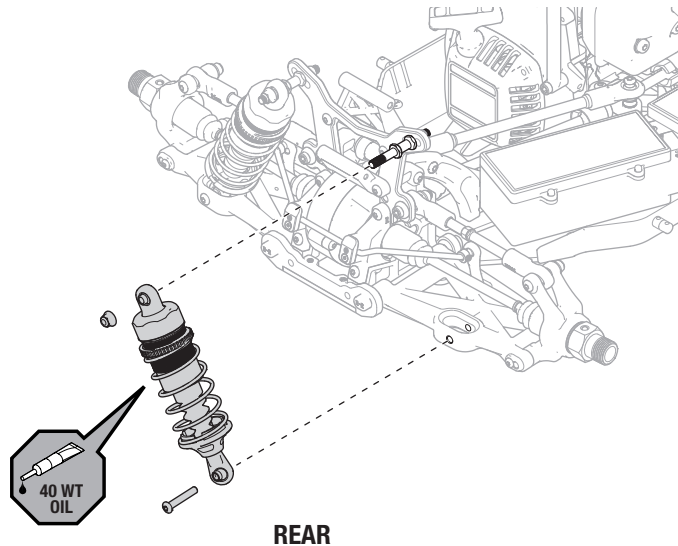
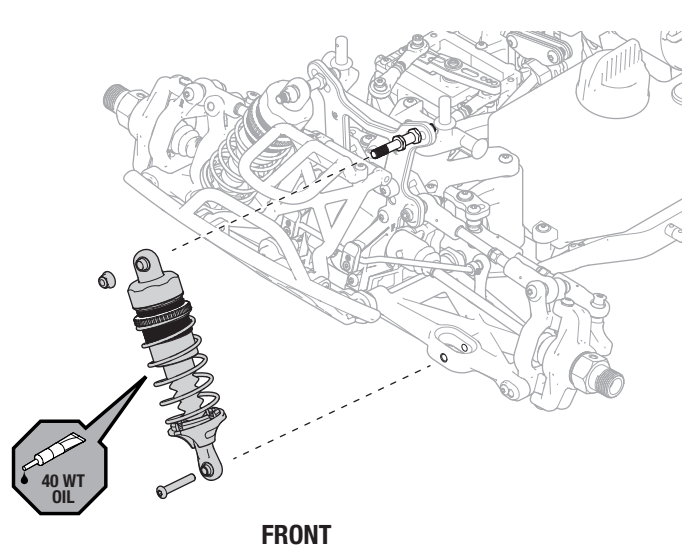
INFREQUENT MAINTENANCE



The following items require semi-frequent maintenance every 12 tanks.

SHOCK DISASSEMBLY/CLEANING

Remove the shocks and service as needed. Replace worn parts.



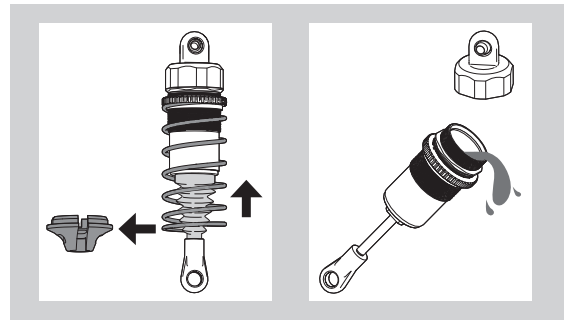
The silver screws used to hold on the Right Front and Left Rear Shocks are LH reverse thread.

To remove the silver shock screws, turn them clockwise, to the right.

To tighten them, turn them counter clockwise to the left.

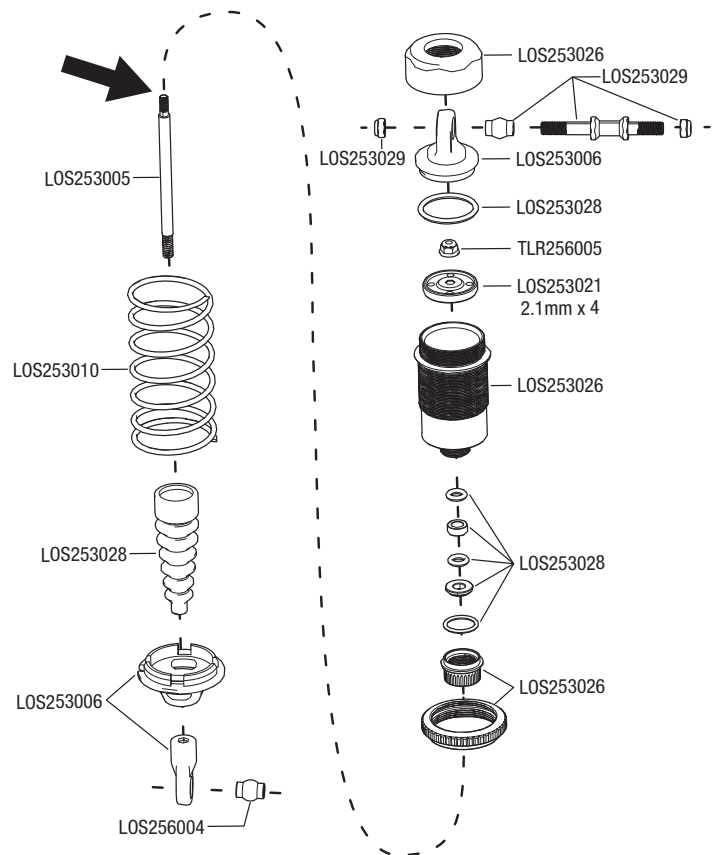
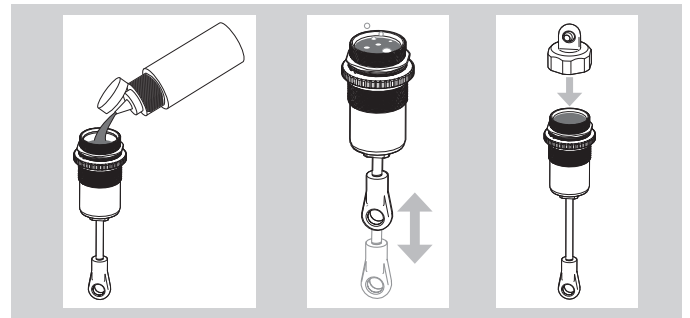
1. Pull the spring up and away from the lower cup. Slide the lower spring cup up and off of the shaft. Clean with a soft brush.
2. To remove the cap, use two 34mm wrenches (or adjustable wrenches like a crescent wrench) to hold the shock body and cap. Never use pliers to hold the shock body, as this could cause damage resulting in a non functioning shock.
3. Hold the shaft with a multi-wrench and remove the shock end. Push the shaft into the shock body and remove through the top. Remove the lower shock cap, dust cover, O-rings and spacer. Clean the shock body. Install new O-rings, re-install the spacer, replace the O-ring and install the lower shock cap. **DO NOT OVER TIGHTEN**. Install the shock shaft through the shock bottom and tighten the bottom cap. Re-install the boot and shock end on the shaft.

TIP: Clean the screw and internal threads in the shaft with a spray cleaner. Use Medium Strength Threadlock.



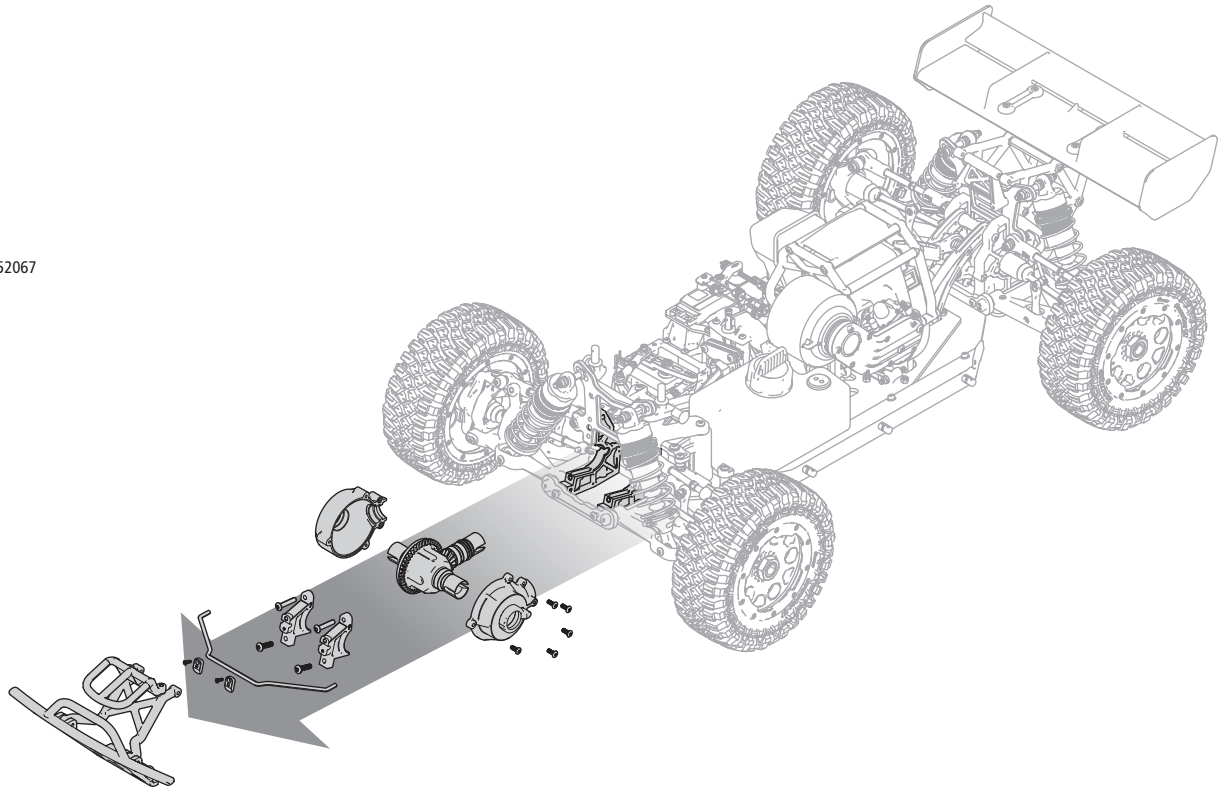
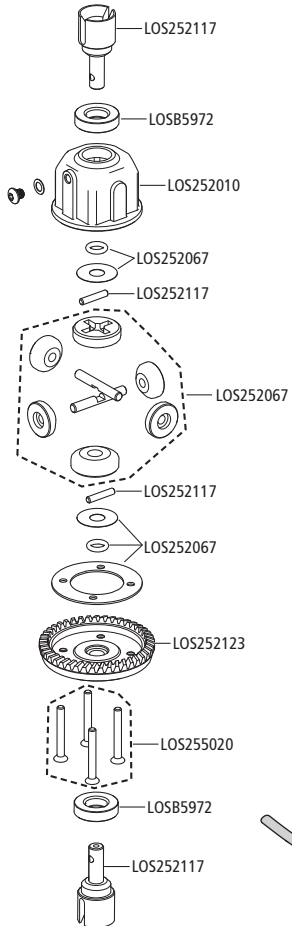
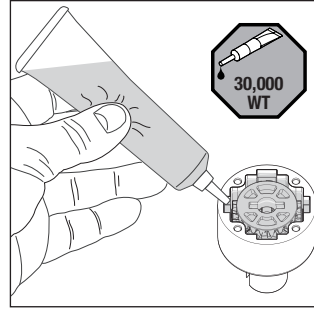
REFILLING/BLEEDING SHOCKS

1. Fill the shock body 5mm (0.2 in) from the top with 40wt silicone shock oil (TLR74025).
2. Slowly move the piston up and down 5 times, allowing air to rise to the top. Let the shock sit for 5 minutes.
3. With the piston all the way down, fill the shock body 1mm (0.04 in) from the top. Replace the shock cap, spring and spring cup.



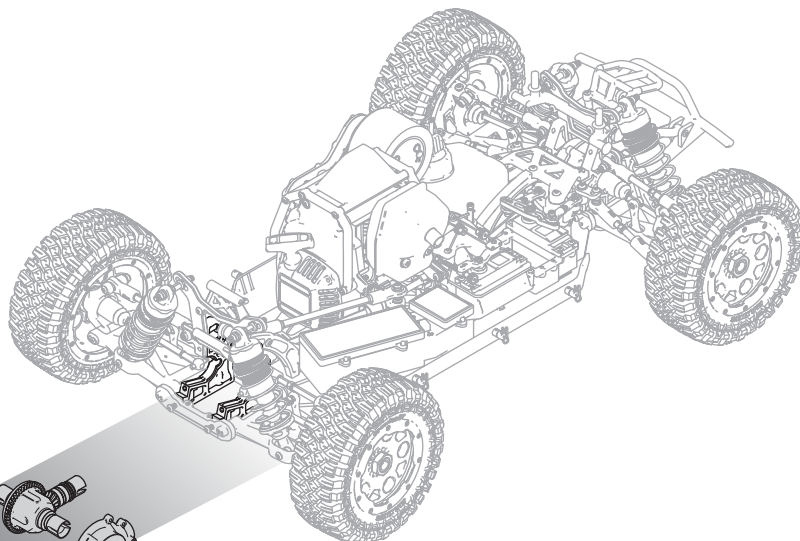
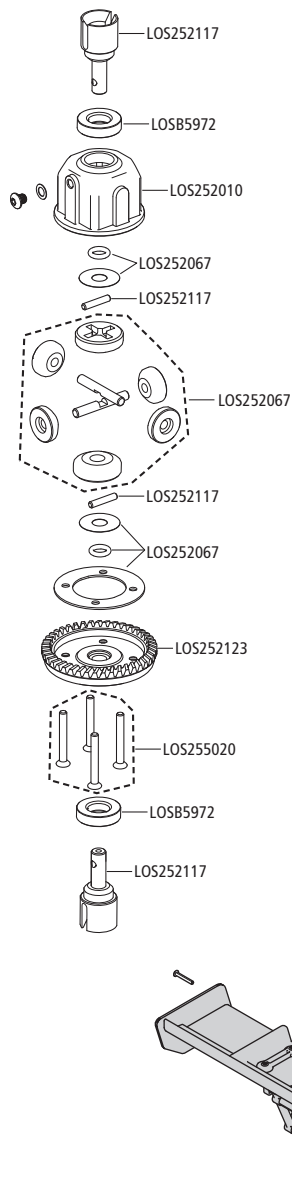
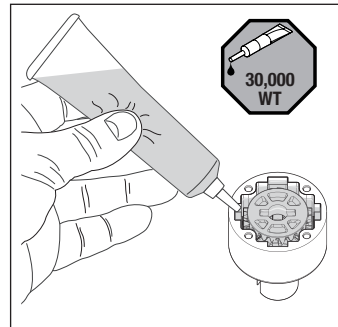
FRONT DIFFERENTIAL

1. Remove the front clip.
2. Remove the cover and differential.
3. Check the differential fluid and refill or replace as needed with TLR5285 (30,000CS) fluid. The fluid level should be about 0.12 in (3.0mm) from the top surface of the case. Do not overfill or the differential unit might leak.
4. Check the ring and pinion as well as the bevel gears in the differential. Replace as needed. If fluid is leaking at the drive cups, replace the O-rings. Apply more grease to the ring and pinion (LOSA99209).



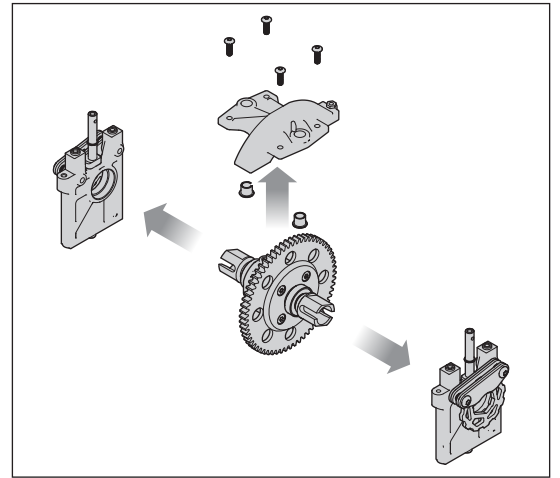
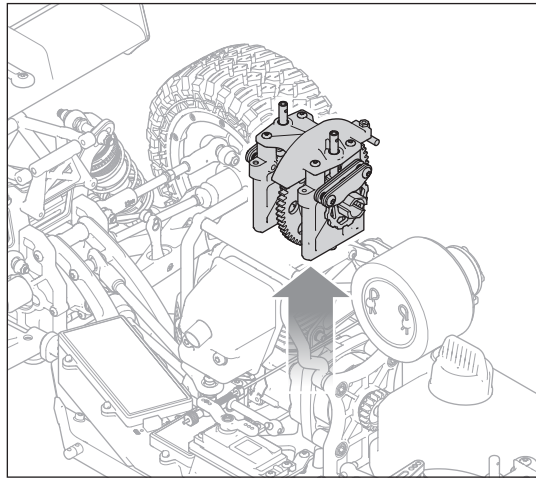
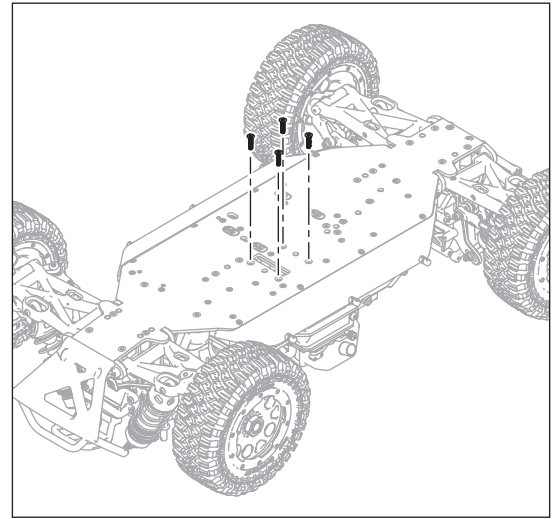
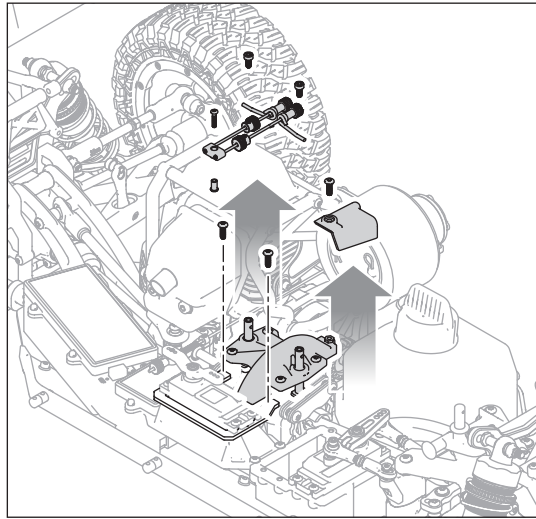
Rear Differential

1. Remove the rear clip.
2. Remove the cover and differential.
3. Check the differential fluid and refill or replace as needed with TLR5285 (30,000CS) fluid. The fluid level should be about 0.12 in (3.0mm) from the top surface of the case. Do not overfill or the differential unit might leak.
4. Check the ring and pinion as well as the bevel gears in the differential. Replace as needed. If fluid is leaking at the drive cups, replace the O-rings. Apply more grease to the ring and pinion (LOSA99209).

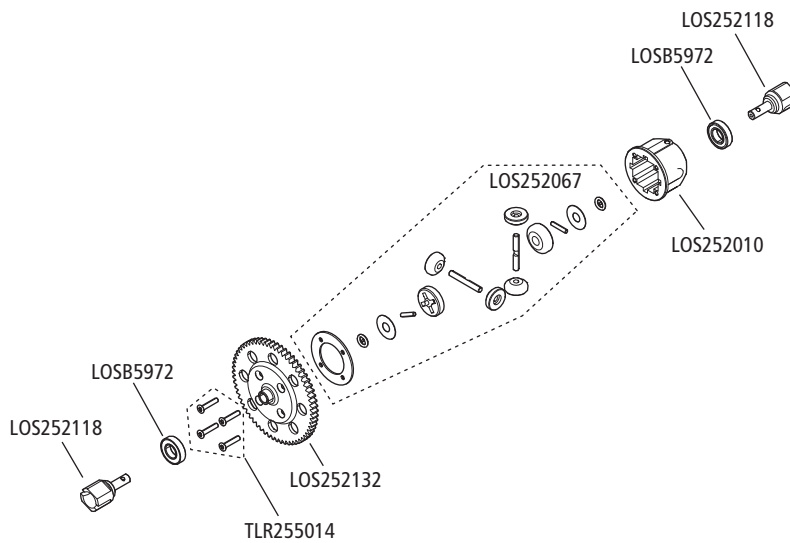
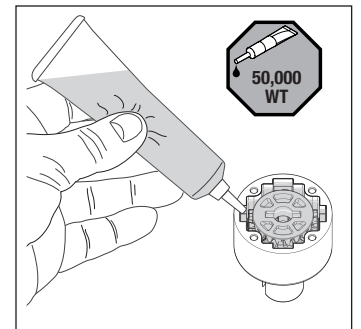


Center Differential

1. Remove the brake linkage assembly and the two screws securing the throttle servo brace to the center diff mounts.
2. Remove the center differential mounting screws from the bottom of the chassis.
3. Remove the center differential assembly.
4. Separate the center differential assembly.



1. Inspect the spur gear. Replace if worn or damaged.
2. Check the differential fluid and refill or replace as needed with TLR5286 (50,000CS) fluid. The fluid level should be about 0.12 in (3.0mm) from the top surface of the case. Do not overfill or the differential unit might leak.
3. Check the spur gear and pinion as well as the bevel gears in the differential. Replace as needed. If fluid is leaking at the drive cups, replace the O-rings.





Troubleshooting Guide

Possible Cause	Solution
----------------	----------

ENGINE DOES NOT START

Out of fuel	Refill the tank and follow starting instructions.
Engine flooded	Remove the spark plug. Pull start 3–5 times. Replace and test.
Air filter is clogged	Check and replace if necessary.
Vent hole in gas cap is plugged	Clean the vent hole if plugged or dirty.
Fuel mixture is old or bad	Mix fresh fuel per instructions.
Spark plug is not working	Check the spark plug and ignition coil and replace if necessary.
Throttle servo failed/Setup is wrong	Check servo operation. Set it to neutral and reset the linkage according to your radio and model manufacturer's specifications.
Carburetor is incorrectly adjusted	Return the carburetor to the factory settings and retune if necessary.
Engine stop switch is malfunctioning	Check and replace the stop switch if necessary.
Piston and cylinder is worn	Check the piston and cylinder for wear or damage and replace if necessary.
Receiver battery is not charged	Recharge the receiver battery.

ENGINE STARTS THEN STALLS

Out of fuel	Refill the tank and follow starting instructions.
Air filter is clogged	Check and replace if necessary.
Vent hole in gas cap is plugged	Clean the vent hole if plugged or dirty.
Engine may be overheated	Let the engine cool. Reset the carburetor to factory settings and restart.
Engine idle is too low	Follow the instructions to increase idle speed.
Clutch is slipping or locked-up	Check the clutch for worn/broken lining or spring.
Fuel mixture is old or bad	Mix fresh fuel per instructions.
Throttle servo is improperly set up	Set the servo to neutral and reset the linkage according to radio and model manufacturer's specifications.
Drivetrain is not functioning properly	Check the drivetrain for smooth operation/damage.

ENGINE IS RUNNING, BUT VEHICLE DOES NOT MOVE

Brakes are stuck	Look for damage or foreign matter locking the brakes.
Drivetrain is damaged	Check for damaged driveshaft or diff. Replace as needed.
Receiver battery capacity is low	Charge the receiver battery.
Radio is not responding despite charged battery	Make sure binding is properly set up.

ERRATIC CONTROL

Transmitter and/or receiver batteries are weak	Install new batteries in the transmitter. Recharge the receiver battery.
Connectors are inserted improperly	Check the connectors and reinstall if necessary.
Brake is not working	Check the servo, brakes, and linkage for damage. Repair/replace/reset the servo linkage to factory settings.

LIMITED WARRANTY

What this Warranty Covers—Horizon Hobby, LLC, (Horizon) warrants to the original purchaser that the product purchased (the “Product”) will be free from defects in materials and workmanship for a period of 2 years from the date of purchase.

What is Not Covered—This warranty is not transferable and does not cover (i) cosmetic damage, (ii) damage due to acts of God, accident, misuse, abuse, negligence, commercial use, or due to improper use, installation, operation or maintenance, (iii) modification of or to any part of the Product, (iv) attempted service by anyone other than a Horizon Hobby authorized service center, (v) Product not purchased from an authorized Horizon dealer, or (vi) Product not compliant with applicable technical regulations or (vii) use that violates any applicable laws, rules, or regulations.

OTHER THAN THE EXPRESS WARRANTY ABOVE, HORIZON MAKES NO OTHER WARRANTY OR REPRESENTATION, AND HEREBY DISCLAIMS ANY AND ALL IMPLIED WARRANTIES, INCLUDING, WITHOUT LIMITATION, THE IMPLIED WARRANTIES OF NON-INFRINGEMENT, MERCHANTABILITY AND FITNESS FOR A PARTICULAR PURPOSE. THE PURCHASER ACKNOWLEDGES THAT THEY ALONE HAVE DETERMINED THAT THE PRODUCT WILL SUITABLY MEET THE REQUIREMENTS OF THE PURCHASER’S INTENDED USE.

Purchaser’s Remedy—Horizon’s sole obligation and purchaser’s sole and exclusive remedy shall be that Horizon will, at its option, either (i) service, or (ii) replace, any Product determined by Horizon to be defective. Horizon reserves the right to inspect any and all Product(s) involved in a warranty claim. Service or replacement decisions are at the sole discretion of Horizon. Proof of purchase is required for all warranty claims. SERVICE OR REPLACEMENT AS PROVIDED UNDER THIS WARRANTY IS THE PURCHASER’S SOLE AND EXCLUSIVE REMEDY.

Limitation of Liability—HORIZON SHALL NOT BE LIABLE FOR SPECIAL, INDIRECT, INCIDENTAL OR CONSEQUENTIAL DAMAGES, LOSS OF PROFITS OR PRODUCTION OR COMMERCIAL LOSS IN ANY WAY, REGARDLESS OF WHETHER SUCH CLAIM IS BASED IN CONTRACT, WARRANTY, TORT, NEGLIGENCE, STRICT LIABILITY OR ANY OTHER THEORY OF LIABILITY, EVEN IF HORIZON HAS BEEN ADVISED OF THE POSSIBILITY OF SUCH DAMAGES. Further, in no event shall the liability of Horizon exceed the individual price of the Product on which liability is asserted. As Horizon has no control over use, setup, final assembly, modification or misuse, no liability shall be assumed nor accepted for any resulting damage or injury. By the act of use, setup or assembly, the user accepts all resulting liability. If you as the purchaser or user are not prepared to accept the liability associated with the use of the Product, purchaser is advised to return the Product immediately in new and unused condition to the place of purchase.

Law—These terms are governed by Illinois law (without regard to conflict of law principals). This warranty gives you specific legal rights, and you may also have other rights which vary from state to state. Horizon reserves the right to change or modify this warranty at any time without notice.

WARRANTY SERVICES

Questions, Assistance, and Services—Your local hobby store and/or place of purchase cannot provide warranty support or service. Once assembly, setup or use of the Product has been started, you must contact your local distributor or Horizon directly. This will enable Horizon to better answer your questions and service you in the event that you may need any assistance. For questions or assistance, please visit our website at www.horizonhobby.com, submit a Product Support Inquiry, or call the toll free telephone

number referenced in the Warranty and Service Contact Information section to speak with a Product Support representative.

Inspection or Services—If this Product needs to be inspected or serviced and is compliant in the country you live and use the Product in, please use the Horizon Online Service Request submission process found on our website or call Horizon to obtain a Return Merchandise Authorization (RMA) number. Pack the Product securely using a shipping carton. Please note that original boxes may be included, but are not designed to withstand the rigors of shipping without additional protection. Ship via a carrier that provides tracking and insurance for lost or damaged parcels, as Horizon is not responsible for merchandise until it arrives and is accepted at our facility. An Online Service Request is available at http://www.horizonhobby.com/content/service-center_render-service-center. If you do not have internet access, please contact Horizon Product Support to obtain a RMA number along with instructions for submitting your product for service. When calling Horizon, you will be asked to provide your complete name, street address, email address and phone number where you can be reached during business hours. When sending product into Horizon, please include your RMA number, a list of the included items, and a brief summary of the problem. A copy of your original sales receipt must be included for warranty consideration. Be sure your name, address, and RMA number are clearly written on the outside of the shipping carton.

NOTICE: Do not ship Li-Po batteries to Horizon. If you have any issue with a Li-Po battery, please contact the appropriate Horizon Product Support office.

Warranty Requirements—For Warranty consideration, you must include your original sales receipt verifying the proof-of-purchase date. Provided warranty conditions have been met, your Product will be serviced or replaced free of charge. Service or replacement decisions are at the sole discretion of Horizon.

Non-Warranty Service—Should your service not be covered by warranty, service will be completed and payment will be required without notification or estimate of the expense unless the expense exceeds 50% of the retail purchase cost. By submitting the item for service you are agreeing to payment of the service without notification. Service estimates are available upon request. You must include this request with your item submitted for service. Non-warranty service estimates will be billed a minimum of ½ hour of labor. In addition you will be billed for return freight. Horizon accepts money orders and cashier’s checks, as well as Visa, MasterCard, American Express, and Discover cards. By submitting any item to Horizon for service, you are agreeing to Horizon’s Terms and Conditions found on our website http://www.horizonhobby.com/content/service-center_render-service-center.

ATTENTION: Horizon service is limited to Product compliant in the country of use and ownership. If received, a non-compliant Product will not be serviced. Further, the sender will be responsible for arranging return shipment of the un-serviced Product, through a carrier of the sender’s choice and at the sender’s expense. Horizon will hold non-compliant Product for a period of 60 days from notification, after which it will be discarded.

WARRANTY AND SERVICE CONTACT INFORMATION

Country of Purchase	Horizon Hobby	Contact Information	Address
United States of America	Horizon Service Center (Repairs and Repair Requests)	servicecenter.horizonhobby.com/RequestForm/	2904 Research Rd. Champaign, Illinois, 61822 USA
	Horizon Product Support (Product Technical Assistance)	productsupport@horizonhobby.com 877-504-0233	
	Sales	websales@horizonhobby.com 800-338-4639	
European Union	Horizon Technischer Service	service@horizonhobby.eu	Hanskampring 9 D 22885 Barsbüttel, Germany
	Sales: Horizon Hobby GmbH	+49 (0) 4121 2655 100	


FCC AND CANADA COMPLIANCE INFORMATION

Contains FCC ID: BRWSPMSLT300 | BRWSRIRVINGV1

This equipment complies with FCC and IC radiation exposure limits set forth for an uncontrolled environment. This equipment should be installed and operated with minimum distance 20cm between the radiator and/or antenna and your body (excluding fingers, hands, wrists, ankles and feet). This transmitter must not be co-located or operating in conjunction with any other antenna or transmitter.

Supplier's Declaration of Conformity

This device complies with part 15 of the FCC Rules. Operation is subject to the following two conditions: (1) This device may not cause harmful interference, and (2) this device must accept any interference received, including interference that may cause undesired operation.

 **CAUTION:** Changes or modifications not expressly approved by the party responsible for compliance could void the user's authority to operate the equipment.

NOTE: This equipment has been tested and found to comply with the limits for a Class B digital device, pursuant to part 15 of the FCC Rules. These limits are designed to provide reasonable protection against harmful interference in a residential installation. This equipment generates, uses and can radiate radio frequency energy and, if not installed and used in accordance with the instructions, may cause harmful interference to radio communications. However, there is no guarantee that interference will not occur in a particular installation. If this equipment does cause harmful interference to radio or television reception, which can be determined by turning the equipment off and on, the user is encouraged to try to correct the interference by one or more of the following measures:

- Reorient or relocate the receiving antenna.
- Increase the separation between the equipment and receiver.
- Connect the equipment into an outlet on a circuit different from that to which the receiver is connected.
- Consult the dealer or an experienced radio/TV technician for help.

Horizon Hobby, LLC
2904 Research Rd., Champaign, IL 61822
Email: compliance@horizonhobby.com
Web: HorizonHobby.com

IC INFORMATION

CAN ICES-3 (B)/NMB-3(B) Contains IC: 6157A-SPMSLT300 6157A-SRIRVINGV1

This device contains license-exempt transmitter(s)/receiver(s) that comply with Innovation, Science, and Economic Development Canada's license-exempt RSS(s). Operation is subject to the following 2 conditions:

1. This device may not cause interference.
2. This device must accept any interference, including interference that may cause undesired operation of the device.

COMPLIANCE INFORMATION FOR THE EUROPEAN UNION

EU Compliance Statement:

Hereby, Horizon Hobby, LLC declares that the device is in compliance with the following: EU RED 2014/53/EU; RoHS 2 Directive 2011/65/EU; RoHS 3 Directive - Amending 2011/65/EU Annex II 2015/863.

The full text of the EU declaration of conformity is available at the following internet address: <https://www.horizonhobby.com/content/support-render-compliance>.

NOTE: This product contains batteries that are covered under the 2006/66/EC European Directive, which cannot be disposed of with normal household waste. Please follow local regulations.

Wireless Frequency Range and Wireless Output Power:

Transmitter:

2403 – 2480MHz
16.3dBm

Australia/New Zealand

Receiver:

2406 – 2476MHz
-1.33dBm



EU Manufacturer of Record:

Horizon Hobby, LLC
2904 Research Road
Champaign, IL 61822 USA

EU Importer of Record:

Horizon Hobby, GmbH
Hanskampring 9
22885 Barsbüttel Germany

WEEE NOTICE:



This appliance is labeled in accordance with European Directive 2012/19/EU concerning waste of electrical and electronic equipment (WEEE). This label indicates that this product should not be disposed of with household waste. It should be deposited at an appropriate facility to enable recovery and recycling.

REPLACEMENT PARTS // TEILELISTE // LISTE DES PIÈCES DE RECHANGE // ELENCO DEI RICAMBI

Part #	English	Deutsch	Français	Italiano
ARA721525	Button Head Screw M5x25mm (4)	Rundkopfschraube M5 x 25 mm (4)	Vis à tête bombée M5 x 25 mm (4)	Vite testa tonda M5x25 mm (4)
DYNE1275	Zenoah G320 w/filter/Clutch:5T 2.0	Zenoah G320 mit Filter/Kupplung:5T 2.0	Zenoah G320 avec filtre/embrayage : 5T 2.0	Zenoah G320 cn/filtr/frizione:5T 2.0
LOS232138	Engine Mount Insert 20T:DBXL 2.	Motorhalterungseinsatz 20T:DBXL 2.	Insert de montage du moteur 20T : DBXL 2.	Inserto supporto motore 20T:DBXL 2
LOS235015	Locknut Flanged M5 Serrated (10)	Feststellkontermutter mit Flansch M5 (10)	Contre-écrou à embase M5 strié (10)	Controdado flang dentellato M5 (10)
LOS250019	LED Light Bar Set:DBXL-E	LED-Leuchtbalken-Set: DBXL-E	Ensemble de rampe d'éclairage à DEL : DBXL-E	Set barra a LED:DBXL-E
LOS250020	Roll Cage Screw Set: DBXL-E	Überrollkäfig-Schraubensatz: DBXL-E	Ensemble de vis de cage de retournement : DBXL-E	Set viti scocca di sicurezza: DBXL-E
LOS250021	Body Mounting Screw Set: DBXL-E	Gehäusehalterung-Schraubensatz: DBXL-E	Ensemble de vis de montage de carrosserie : DBXL-E	Set viti montaggio scocca: DBXL-E
LOS250051	Body Set, ICON: DBXL 2.0	Karoseriesatz, ICON: DBXL 2,0	Ensemble de carrosserie, ICÔNE : DBXL 2.0	Set carrozzeria ICON: DBXL 2.0
LOS250052	Body Set, Magnaflow: DBXL 2.0	Karoseriesatz, Magnaflow: DBXL 2,0	Ensemble de carrosserie, Magnaflow : DBXL 2.0	Set carrozzeria Magnaflow: DBXL 2.0
LOS250053	Wing, ICON, Black: DBXL 2.0	Flügel, ICON, schwarz: DBXL 2,0	Aile, ICÔNE, noire : DBXL 2.0	Alettone, ICON, nero: DBXL 2.0
LOS250054	Wing, Magnaflow, Black: DBXL 2.0	Flügel, Magnaflow, schwarz: DBXL 2,0	Aile, Magnaflow, noire : DBXL 2.0	Alettone, Magnaflow, nero: DBXL 2.0
LOS251021	Mount/Guard&Eng St:1:5 4wd DB XL	Montage/Schutz u. Motorsatz: 1:5 4wd DB XL	Ensemble de fixation/protection et moteur : 1:5 4 rm DB XL	Spt mot&guard/sup 1:5 4WD DB XL
LOS251127	Servo Arm, Dual Sided, 15T: DBXL 2.0	Servo-Arm, doppelseitig, 15T: DBXL 2,0	Bras de servo à deux côtés, 15T : DBXL 2.0	Braccio servo, doppio lato, 15T: DBXL 2.0
LOS251045	Wing Mount, Complete: DBXL-E	Flügelhalterung, vollständig: DBXL-E	Support d'aile, complet : DBXL-E	Supporto alettone completo: DBXL-E
LOS251046	Wing, Black: DBXL-E	Flügel, schwarz DBXL-E	Aile, noire : DBXL-E	Alettone, nero: DBXL-E
LOS251053	Roll Cage,Flip,Complete: DBXL-E	Überrollkäfig, Schalter, vollständig: DBXL-E	Cage de retournement, basculement, complète : DBXL-E	Scocca secur, basculante, completa: DBXL-E
LOS251092	StrPst,Tube,SrvoSprng:DBXL-E 2.0	Lenkungsteile, Rohr, Servo-Feder: DBXL-E 2,0	Colonne de direction, tube, ressort de servo : DBXL-E 2.0	Montante sterzo, tubo molla servo:DBXL-E 2.0
LOS251093	DualSide,StSrvoArm,AL:DBXL-E 2.0	Doppelseitig, Seitenruder-Servoarm, DBXL-E 2,0	Deux côtés, bras de servo de direction, aluminium : DBXL-E 2.0	Braccio srv sterz, doppio lato, alu:DBXL-E 2.0
LOS251095	SteeringRack&Hardware:DBXL-E 2.0	Zahnstange & Hardware: DBXL-E 2,0	Crémaillère de direction et quincaillerie : DBXL-E 2.0	Cremagliera sterzo e viteria: DBXL-E 2.0
LOS251096	Turnbuckle Set (6): DBXL-E 2.0	Spannschraubensatz (6): DBXL-E 2.0	Ensemble de ridoir (6) : DBXL-E 2.0	Set tenditore (6): DBXL-E 2.0
LOS251102	Fr/Rr Bulkhead Set: DBXL-E 2.0	Spritzwandsatz, vorne/hinten: DBXL-E 2.0	Ensemble de cloisons avant/arrière : DBXL-E 2.0	Set paratie ant/pst: DBXL-E 2.0
LOS251103	ChassisSideGuardSet: DBXL-E 2.0	Karosserie seitenschutz-Satz: DBXL-E 2.0	Ensemble de protections latérales du châssis : DBXL-E 2.0	Set prot laterale telaio: DBXL-E 2.0
LOS251113	Chassis Brac Plt 4mm Blk:DBXL2.0	Karosseriestrebe Plt 4mm Schw:DBXL2.0	Plaque de support de châssis 4 mm noire : DBXL 2.0	Rinforzo telaio plt 4mm nero:DBXL2.0
LOS251115	ChassisBraceFr&TopPlate:DBXL 2.0	Karosseriestrebe vorne u. Obere Abdeckung:DBXL 2.0	Plaque supérieure et avant de support de châssis : DBXL 2.0	Rinforzo telaio piastra av&sup:DBXL 2.0
LOS251116	Chassis Brace, Rear: DBXL 2.0	Karosseriestrebe, hinten: DBXL 2.0	Support de châssis, arrière : DBXL 2.0	Rinforzo telaio, pst: DBXL 2.0
LOS251117	Center Diff Mount: DBXL 2.0	Halterung mittleres Differential: DBXL 2.0	Support de différentiel central : DBXL 2.0	Supporto diff centrale: DBXL 2.0
LOS251118	Gas Tank Comp, 800cc: DBXL 2.0	Benzintank Komp, 800cc: DBXL 2.0	Réservoir de gaz complet, 800 cc : DBXL 2.0	Serbatoio benzina compl, 800cc: DBXL 2.0
LOS251119	Gas Cap Assembly: DBXL 2.0	Tankdeckeleinheit: DBXL 2.0	Ensemble de capuchon de gaz : DBXL 2.0	Gruppo tappo benzina: DBXL 2.0
LOS251120	Throttle Linkage Set: DBXL 2.0	Gasgestängensatz: DBXL 2.0	Ensemble tringlerie de papillon : DBXL 2.0	Set leveraggi sterzo: DBXL 2.0
LOS251121	Brake Cams (2): DBXL 2.0	Bremsnocken (2): DBXL 2.0	Cames de frein (2) : DBXL 2.0	Camme freni (2): DBXL 2.0
LOS251123	Adj Steering Turnbuckle DBXL 2.0	Anp Lenkungsspannschraube DBXL 2.0	Ridoir de direction ajustable DBXL 2.0	Tenditore sterzo regolabile:DBXL 2.0
LOS251124	Gas Tank Mounts: DBXL 2.0	Benzintank Halterungen: DBXL 2.0	Fixations de réservoir de gaz : DBXL 2.0	Supporti serbatoio benzina: DBXL 2.0
LOS251125	Fr Bumper,Brace,Bdy Mnt:DBXL 2.0	Stoßdämpfer vorne,Strebe,Körper Halt.:DBXL 2.0	Amortisseur avant, support, fixation de la carrosserie : DBXL 2.0	Spt carrozzeria, Rinforzi, Paraurti ant:DBXL 2.0
LOS251126	Bell Crank Set: DBXL 2.0	Winkelhebelsatz: DBXL 2.0	Ensemble de levier coudé : DBXL 2.0	Set biella a campana: DBXL 2.0
LOS252009	Diff Rebuild Kit: 1:5 4wd DB XL	Differentialgetriebe-Umbau-Kit: 1:5 4wd DB XL	Kit de reconstruction de différentiel : 1:5 4 rm DB XL	Kit riparazione diff: 1:5 4WD DB XL
LOS252010	Fr/Rr Diff Case (2):1:5 4wd DB	Differentialgehäuse, vorne/hinten (2): 1:5 4wd DB	Boîtier de différentiels avant/arrière (2) : 1:5 4 rm DB	Sct diff ant/post (2):1:5 4WD DB
LOS252014	Clutch Bell: 1:5 4wd DB XL	Kupplungsglocke: 1:5 4wd DB XL	Cloche d'embrayage : 1:5 4 rm DB XL	Campana frizione: 1:5 4WD DB XL
LOS252016	20T Pinion Gear: 1:5 4wd DB XL	20T Zahnradgetriebe 1:5 4wd DB XL	Engrenage de pignon 20T 1:5 4 rm DB XL	Pignone 20T: 1:5 4WD DB XL
LOS252050	Wheel Hex Black&Pin(4):MTXL,DBXL-E	Rad-Sechskant, schwarz & Stift (4): MTXL,DBXL-E	Hexagone de roue noir et goupille (4) : MTXL,DBXL-E	Esagono Ruote Nero & Perno(4):MTXL,DBXL-E
LOS252051	Wheel Nut, Black (4): MTXL, DBXL-E	Radmutter, schwarz (4): MTXL, DBXL-E	Écrou de roue, Noir (4) : MTXL, DBXL-E	Dado ruota, nero (4): MTXL, DBXL-E
LOS252067	Diff Rebuild Kit,Al Diff:DBXL-E	Differentialgetriebe-Umbau-Satz, Al. Diff.: DBXL-E	Kit de reconstruction de différentiel, Al Diff : DBXL-E	Kit riparazione diff, diff alu:DBXL-E
LOS252116	RrStubAxle,5mmPin(2):DBXL-E 2.0	Achswellenstumpf, hinten, 5 mm Stift (2): DBXL-E 2.0	Demi-essieu arrière, goupille 5 mm (2) : DBXL-E 2.0	Fuso a snodo posteriore, perno 5(2):DBXL-E 2.0
LOS252117	Fr/Rr Outdrive,5mm(2):DBXL-E 2.0	Antrieb, vorne/hinten, 5 mm Stift (2): DBXL-E 2.0	Entraînement extérieur avant/arrière, 5 mm (2) : DBXL-E 2.0	Outdrive ant/pst, 5 mm(2):DBXL-E 2.0
LOS252118	CtrDiffOtdrve,5mm(2): DBXL-E 2.0	Differentialantrieb, Mitte, 5 mm (2): DBXL-E 2.0	Entraînement extérieur diff ctr, 5 mm (2) : DBXL-E 2.0	Outdrive diff centrale,5 mm(2): DBXL-E 2.0
LOS252119	Fr CVD Assy, 5mm Pin: DBXL-E 2.0	CV-Antriebsgruppe, vorne, 5 mm Stift: DBXL-E 2.0	Ensemble CVD avant, goupille 5 mm : DBXL-E 2.0	Grp CVD ant, prn 5 mm: DBXL-E 2.0

Part #	English	Deutsch	Français	Italiano
LOS252120	AxIBtSet,5mmPins(10):DBXL-E 2.0	Achse unten, Satz, 5 mm Stifte (10): DBXL-E 2.0	Ensemble de boulon d'essieu, goupilles 5 mm (10) : DBXL-E 2.0	Set protezione asse, perni 5 mm(10):DBXL-E 2.0
LOS252122	Front/Rear Gear Box: DBXL-E 2.0	Vordere/hintere Getriebebox: DBXL-E 2.0	Boîte à engrenage avant/arrière : DBXL-E 2.0	Scatola ingranaggi ant/pst: DBXL-E 2.0
LOS252123	Fr/RrDiffRingGear,40T:DBXL-E 2.0	Differential-Hohlrund, vorne/hinten, 40T: DBXL-E 2.0.	Engrenage à anneau diff avant/arrière, 40T : DBXL-E 2.0	Corona diff ant/post 40T:DBXL-E 2.0
LOS252124	Fr/RrDiffPinion,12T: DBXL-E 2.0	Differential-Getrieberad, vorne/hinten, 12T: DBXL-E 2.0	Pignon diff avant/arrière, 12T : DBXL-E 2.0	Pignone diff ant/post 12T: DBXL-E 2.0
LOS252125	UnilRebuildKit,5mm(2):DBXL-E 2.0	Unil-Umbau-Kit,5mm(2):DBXL-E 2.0	Kit de remontage 5 mm (2) : DBXL-E 2.0	Kit ricostruzione unil,5mm(2):DBXL-E 2.0
LOS252127	DiffShim,24x21x0.3mm(10):DBXL/E	Diff Dichtscheibe,24x21x0.3mm(10):DBXL/E	Cale de différentiel, 24x21x0,3 mm (10) :DBXL/E	Spessori differenziale,24x21x0,3mm(10):-DBXL/E
LOS252132	Spur Gear, 62T, 1.5M: DBXL 2.0	Stirnrad, 62T, 1,5M: DBXL 2.0	Engrenage, 62T, 1.5M : DBXL 2.0	Ingranaggio cilindrico, 62T, 1,5M: DBXL 2.0
LOS252133	F/RCntrDrvCouplerSet(2):DBXL 2.0	V/H ZentrAntrKupplSatz(2):DBXL 2.0	Ensemble de coupleur de transmission central (2) : DBXL 2.0	SetAccAlbtrsCentrAnt/Pst(2):DBXL 2.0
LOS252134	Center Driveshaft, Fr: DBXL 2.0	Antriebswelle Mitte, vorne: DBXL 2.0	Arbre de transmission central, avant : DBXL 2.0	Albero trasmissione centrale, ant: DBXL 2.0
LOS252135	Center Driveshaft, Rr: DBXL 2.0	Antriebswelle Mitte, hinten: DBXL 2.0	Arbre de transmission central, arrière : DBXL 2.0	Albero trasmissione centrale, pst: DBXL 2.0
LOS252136	Center Driveshaft Short:DBXL 2.0	Antriebswelle Mitte, kurz:DBXL 2.0	Arbre de transmission central court : DBXL 2.0	Albero trasmissione centrale corto:DBXL 2.0
LOS253005	Fr/RrShkShft&PstnSt:1:5 4wd DB	V/HStoWlle&PstnSt:1:5 4wd DB	Ensemble de piston et d'arbre d'amortisseur avant/arrière : 1:5 4 rm DB	SetPist&AstAmmA/P:1:5 4wd DB
LOS253006	Sp Cups/Clps/ShckEnds:1:5 4wd DB	Federteller/Klemm/StoEnden:1:5 4wd DB	Extrémités d'amortisseur/attaches/coupelles de ressort : 1:5 4 rm DB	Term amm/clip/tazze molle:1:5 4wd DB
LOS253010	Shock Springs (4): 1:5 4WD DBXL	Stoßdämpferfedern (4): 1:5 4WD DBXL	Ressorts d'amortisseur (4) : 1:5 4 RM DBXL	Molle amm (4): 1:5 4WD DBXL
LOS253021	CNC Shock Piston Kit: DBXL-E	CNC Stoßdämpferkolbensatz: DBXL-E	Kit de piston d'amortisseur CNC : DBXL-E	Kit pistoni amm CNC: DBXL-E
LOS253026	ShckBdySt,Siv,FOX(2):DBXL-E 2.0	Stoßdämpfergehäusesatz, silber, FOX (2): DBXL-E 2.0	Ensemble de carrosserie d'amortisseur, argenté, FOX(2) : DBXL-E 2.0	Corpo ammortizzatore, manicotto, FOX(2):-DBXL-E 2.0
LOS253027	Shock Boot Set (4): DBXL-E 2.0	Stoßdämpfermanschettensatz (4): DBXL-E 2.0	Ensemble de soufflet d'amortisseur (4) : DBXL-E 2.0	Set parapolvere amm (4): DBXL-E 2.0
LOS253028	Shock Rebuild Kit (4):DBXL-E 2.0	Stoßdämpfer-Umbau-Kit (4): DBXL-E 2.0	Kit de reconstruction d'amortisseur (4) : DBXL-E 2.0	Kit ricostruz amm (4):DBXL-E 2.0
LOS253029	ShockSandOff&Hadwre(4):DBXL-E 2.0	Stoßdämpfer-Standoff&Hadwre(4):DBXL-E 2.0	Entretroises d'amortisseur et quicailleterie (4) :DBXL-E 2.0	Distanziale amm e viteria(4):DBXL-E 2.0
LOS254005	SpndlCarriers/Spndl/Hubs:1:5 4w	Spindel und Träger/Spindel/Naben: 1:5 4w	Supports d'axes/axes/moyeux : 1:5 4 rm	Portafuselli/fuselli/mozzi: 1:5 4w
LOS254006	SuspensionArm Set(4):1:5 4wd DB	Aufhängungsarmsatz (4): 1:5 4wd DB	Ensemble de bras de suspension (4) : 1:5 4 rm DB	Set braccetti sosp (4): 1:5 4WD DB
LOS254009	HingePinBrlns Set:1:5 4wd DB XL	Scharnierstiftklammer, Satz: 1:5 4wd DB XL	Ensemble de goupilles de charnière (4) : 1:5 4 rm DB XL	Set inserti perno articolazione: 1:5 4WD DB XL
LOS254010	Hinge Pin, Set: 1:5 4wd DB XL	Scharnierbolzen, Satz: 1:5 4wd DB XL	Ensemble de goupilles de charnière : 1:5 4 rm DB XL	Set perno articolazione: 1:5 4WD DB XL
LOS254031	PivotBalls & Rod Ends (12): MTXL	Schwenkkugeln & Stangenköpfe (12): MTXL	Rotules et embouts de bielle (12) : MTXL	Teste a snodo e articolazioni a sfera (12): MTXL
LOS254063	Shock Tower,Fr,BLK,AL:DBXL-E 2.0	Dämpferbrücke, vorne, schwarz, AL: DBXL-E 2.0	Tour d'amortisseur, avant, noir, AL : DBXL-E 2.0	Set torre amm, nero, alluminio, ant: DBXL-E 2.0
LOS254064	Shock Tower,Rr,BLK,AL:DBXL-E 2.0	Dämpferbrücke, hinten, schwarz, AL: DBXL-E 2.0	Tour d'amortisseur, arrière, noir, AL : DBXL-E 2.0	Set torre amm, nero, alluminio, pst: DBXL-E 2.0
LOS254065	Fr/Rr Sway Bar Set: DBXL-E 2.0	Schwingen-Set, vorne/hinten: DBXL-E 2.0	Ensemble de barre stabilisatrice avant/arrière : DBXL-E 2.0	Set barra antirollio ant/pst: DBXL-E 2.0
LOS254071	Fr Hinge Pin Braces,BLK:DBXL 2.0	V Scharnierstiftklammern,SCHW:DBXL 2.0	Supports d'axe de charnière avant, NOIRS : DBXL 2.0	Spt perno articolazione ant,BLK:DBXL 2.0
LOS254072	Rr Hinge Pin Braces,BLK:DBXL 2.0	H Scharnierstiftklammern,SCHW:DBXL 2.0	Supports d'axe de charnière arrière, NOIRS : DBXL 2.0	Spt perno articolazione pst,BLK:DBXL 2.0
LOS254073	Sway Bar Links & Balls: DBXL 2.0	Schwingen Gelenke u. Köpfe: DBXL 2.0	Rotules et tringlerie de barre stabilisatrice : DBXL 2.0	Sfere e leveraggi barra antirollio: DBXL 2.0
LOS255000	Set Screw, Set,(20):1:5 4wd DB XL	Schraubensatz (20): 1:5 4wd DB XL	Vis de fixation, ensemble (20) : 1:5 4 rm DB XL	Set viti (20): 1:5 4WD DB XL
LOS255001	Cap HeadScrew,St(30):1:5 4wd DB	Inbusschraubensatz (30): 1:5 4wd DB	Vis d'assemblage creuses, ensemble (30) : 1:5 4 rm DB	Set viti testa cilindriche(30):1:5 4WD DB
LOS255002	ButtonHeadScrew,St(4):1:5 4wd D XL	Rundkopfschraubensatz (4): 1:5 4wd D XL	Vis à tête bombée, ensemble (4) : 1:5 4 rm D XL	Set viti testa tonda(4):1:5 4WD D XL
LOS255003	FlatHead Screw,St(30):1:5 4wd D XL	Flachkopfschraubensatz (30): 1:5 4wd D XL	Vis à tête plate, ensemble (30) : 1:5 4 rm D XL	Set viti testa piana(30):1:5 4WD D XL
LOS255004	Screw,5x16mm,EngMnt,(8):1:5 4wd	Schraube,5x16mm,MotHalt,(8):1:5 4wd	Vis, 5x16 mm, fixation du moteur, (8) : 1:5 4 rm	Vite,5x16mm,supporto motore,(8):1:5 4WD
LOS255005	Screw,3x10mm(10):1:5 4wd DB XL	Schraube, 3 x 10 mm (10): 1:5 4wd DB XL	Vis, 3x10 mm (10) : 1:5 4 rm DB XL	Vite,3x10 mm(10):1:5 4WD DB XL
LOS255017	FlatHdScrews,Stl,B0,M4x16mm(10)	Flachkopfschrauben,Stl,B0,M4x16mm(10)	Vis à tête plate, acier, B0, M4x16 mm (10)	Viti testa piana,acciaio,B0,M4x16mm(10)
LOS256000	LocknutSet,(15): 1:5 4wd DB XL	Kontermuttern-Satz (15): 1:5 4wd DB XL	Ensemble de contre-écrous, (15) : 1:5 4 rm DB XL	Set controdadi (15): 1:5 4WD DB XL
LOS256001	Washer/Shim,Set(20):1:5 4wd DB XL	Satz aus Unterlegscheibe/Dichtscheibe (20): 1:5 4wd DB XL	Rondelle/cale, ensemble (20) : 1:5 4 rm DB XL	Set rondelle/distanziali(20):1:5 4WD DB XL
LOS256003	Bushing,Steel,Set(11):1:5 4wd D XL	Buchse, Stahl, Satz (11): 1:5 4wd D XL	Bague, acier, ensemble (11) : 1:5 4 rm D XL	Set boccole,acciaio(11):1:5 4WD D XL
LOS256004	Ball,Shock/Link (10):1:5 4wd DB XL	Kugel, Stoßdämpfer/Stange (10): 1:5 4wd DB XL	Bille, amortisseur/tringlerie (10) : 1:5 4 rm DB XL	Uniball, amm/attacco (10):1:5 4WD DB XL

Part #	English	Deutsch	Français	Italiano
LOS256005	Body Clip,Lrg(10)&Sm(4):1:5 4wd	Gehäuseklemme,Gr(10)&Kl(4):1:5 4wd	Goupille de carrosserie, grande (10) et petite (4) : 1:5 4 rm	Clip carrozzeria,Grande(10)&Pic(4):1:5 4wd
LOS256010	EngMntSprc&ClchMnt,BLK:DBXL 2.0	MotHaltDist&KpplHalt,BLK:DBXL 2.0	Fixation d'embrayage et entretoises de fixation du moteur, NOIRE : DBXL 2.0	SptMot&SptFriz,Nero:DBXL 2.0
LOS257000	Bearing,8x19x6mm,(4):1:5 4wd DB	Lager, 8 x 19 x 6 mm,(4): 1:5 4wd DB	Roulement,8x19x6 mm (4) : 1:5 4 rm DB	Cuscinetto,8x19x6mm,(4):1:5 4wd DB
LOS257001	Bearing,10x22x6mm,(4):1:5 4wd D XL	Lager,10 x 22 x 6 mm,(4): 1:5 4wd D XL	Roulement, 10x22x6 mm (4) : 1:5 4 rm D XL	Cuscinetto,10x22x6mm,(4):1:5 4wd D XL
LOS257002	Bushing,10x7x4mm,(4):1:5 4wd DB XL	Buchse, 10 x 7 x 4 mm,(4): 1:5 4wd DB XL	Bague,10x7x4 mm (4) : 1:5 4 rm DB XL	Cuscinetto,10x7x4mm,(4):1:5 4wd DB XL
LOS257008	8 x 19 x 6mm Rubber Bearing (4)	8 x 19 x 6mm Gummi-Lager (4)	Roulement en caoutchouc 8 x 19 x 6 mm (4)	Cuscinetti gomma 8x19x6 mm (4)
LOS45017	Tire, Creepy Crawler (2): DBXL-E	Reifen, Creepy Crawler (2): DBXL-E	Pneu, Creepy Crawler (2) : DBXL-E	Pneumatico Creepy Crawler (2): DBXL-E
LOS45018	Tire Insert, Molded (2): DBXL-E	Reifeneinsatz, geformt (2): DBXL-E	Insertion de pneu, moulée (2) : DBXL-E	Inserto pneumatico, stampato (2): DBXL-E
LOS45036	Whls,Slvr,YllwBdck(2): DBXL 2.0	Reif,Slbr,GlbBdck(2): DBXL 2.0	Roues, argentées, jaunes noires (2) : DBXL 2.0	Ruote, argento, giallo, beadlock(2): DBXL 2.0
LOS55008	AirFilterAssembly:Comp: DBXL 2.0	Luftfiltereinheit:Komp: DBXL 2.0	Ensemble de filtre à air : Complet : DBXL 2.0	Gruppo filtro aria, completo: DBXL 2.0
LOS55009	Air Filter Foam Elmnt 2:DBXL 2.0	Luftfilter Schaumelemt 2:DBXL 2.0	Élément de mousse de filtre à air 2 : DBXL 2.0	ElmntSchumFiltroAria2:DBXL 2.0
LOSB5972	Outer Axle Bearngs 12x24x6mm(2)	Außenachsenlager 12 x 24 x 6 mm (2)	Paliers d'essieu extérieur 12x24x6 mm(2)	Cuscinetti assale esterni, 12x24x6mm(2)
LOSR5010	Pull-StrtAsmby,Losi 26cc&DYN 23cc	Seilz-StrtEinheit,Losi 26cc&DYN 23cc	Ensemble de démarreur, Losi 26cc&DYN 23cc	GrpStartStrapp,Losi 26cc&DYN 23cc
SPMS906	S906 1/5 DB XLE servo	S906 1/5 DB XLE Servo	Servo S906 1/5 DB XLE	Servo S906 1/5 DB XLE
SPMSLR300	SLR300 3CH 2.4Ghz SLT Receiver	SLR300 3-Kanal 2.4Ghz SLT Empfänger	Récepteur SLR300 3 canaux 2,4 Ghz SLT	Ricevitore SLR300 3CH 2,4Ghz SLT
SPMSR315	SR315 DSMR 3 CH Receiver	SR315 DSMR 3-Kanal-Empfänger	Récepteur SR315 DSMR 3 canaux	Ricevitore SR315 DSMR 3 CH
SPMX-40002SRX	4000mAh 2S 7.4V Smart RxBat; IC3	4000 mAh 2S 7,4V Smart RxBat; IC3	4000 mAh 2S 7,4 V Smart RxBat; IC3	Batteria Rx 4000mAh 2S 7,4V Smart; IC3
TLR255006	ButtonHead Screws, M4x10mm (10)	Rundkopfschrauben, M4x10mm (10)	Vis à tête bombée, M4x10 mm (10)	Viti testa tonda, M4x10 mm (10)
TLR255007	Button Head Screws, M4x12mm (10)	Rundkopfschrauben, M4 x 12 mm (10)	Vis à tête bombée, M4 x 12 mm (10)	Viti testa tonda, M4x12 mm (10)
TLR255008	Button Head Screws, M4x16mm (10)	Rundkopfschrauben, M4 x 16 mm (10)	Vis à tête bombée, M4 x 16 mm (10)	Viti testa tonda, M4x16 mm (10)
TLR255009	Button Head Screws M4x20mm (10)	Rundkopfschrauben, M4 x 20 mm (10)	Vis à tête bombée, M4 x 20 mm (10)	Viti testa tonda, M4x20 mm (10)
TLR255010	Button Head Screws, M4x25mm (10)	Rundkopfschrauben, M4 x 20 mm (10)	Vis à tête bombée, M4 x 25 mm (10)	Viti testa tonda, M4x25 mm (10)
TLR255013	Flat Head Screws, M4x12mm (10)	Flachkopfschrauben, M4 x 12 mm (10)	Vis à tête plate, M4 x 12 mm (10)	Viti testa piana, M4x12 mm (10)
TLR255014	Flat Head Screws, M4x20mm (10)	Flachkopfschrauben, M4 x 20 mm (10)	Vis à tête plate, M4 x 20 mm (10)	Viti testa piana, M4x20 mm (10)
TLR255016	Setscrew, Cup Point, M4x8mm (10)	Feststellschraube, Ringschneide, M4 x 8 mm (10)	Vis de fixation, Bout cuvette, M4 x 8 mm (10)	Grano, senza testa, M4x8 mm (10)
TLR255019	Button Head Screws, M5x20mm (10)	Rundkopfschrauben, M5 x 20 mm (10)	Vis à tête bombée, M5 x 20 mm (10)	Viti testa piana, M5x20 mm (10)
TLR255020	Button Head Screws, M5x30mm (10)	Rundkopfschrauben, M5 x 30 mm (10)	Vis à tête bombée, M5 x 30 mm (10)	Viti testa tonda, M5x30 mm (10)
TLR255021	Button Head Screws, M5x45mm (10)	Rundkopfschrauben, M5 x 45 mm (10)	Vis à tête bombée, M5 x 45 mm (10)	Viti testa tonda, M5x45 mm (10)
TLR255028	Flat Head Screws, M5x20mm (10)	Flachkopfschrauben, M5 x 20 mm (10)	Vis à tête plate, M5 x 20 mm (10)	Viti testa piana, M5x20 mm (10)
TLR255030	Flat Head Screws, M5x30mm (10)	Flachkopfschrauben, M5 x30 mm (10)	Vis à tête plate, M5 x 30 mm (10)	Viti testa piana, M5x30 mm (10)
TLR255031	Button Head Screws, M5x35mm (10)	Rundkopfschrauben, M5 x 35 mm (10)	Vis à tête bombée, M5 x 35 mm (10)	Viti testa tonda, M5x30 mm (10)
TLR255032	Setscrew, Cup Point, M5x6mm (10)	Feststellschraube, Ringschneide, M5 x 6 mm (10)	Vis de fixation, Bout cuvette, M5 x 6 mm (10)	Grano, punta bombata, M5x6 mm (10)
TLR256005	Nylock Nut, M4 (10)	Nylock-Mutter, M4 (10)	Contre-écrou Nylock, M4 (10)	Dado Nylock, M4 (10)
TLR256009	Nylock Nut, M5 (10)	Nylock-Mutter, M5 (10)	Contre-écrou Nylock, M5 (10)	Dado Nylock, M5 (10)
TLR256011	Nylock Nut, M6 (10)	Nylock-Mutter, M6 (10)	Contre-écrou Nylock, M6 (10)	Dado Nylock, M6 (10)
TLR5932	Cap Head Screws, M3 x 10mm (10)	Inbusschrauben, M3 x 10 mm (10)	Vis d'assemblage creuses, M3 x 10mm (10)	Viti testa cilindrica, M3x10 mm (10)

RECOMMENDED PARTS // EMPFOHLENE TEILE // PIÈCES RECOMMANDÉES // PEZZI RACCOMANDATI

Part #	English	Deutsch	Français	Italiano
DYNT1071	TOP 1/4" LG SCALETOOL ST MET 50mm	TOP 1/4" GR MASSSTWRKZ ST MET 50mm	OUTIL D'OUTIL A GRANDE ÉCHELLE HAUT DE GAMME MÉTRIQUE 50 mm	SET ATR SCL GRND 1/4" TOP MET 50 mm
DYNT1074	TOP DELUXE LARGE SCALE TOOL SET	TOP DELUXE GR MASSSTWRKZ ST	ENSEMBLE D'OUTIL A GRANDE ÉCHELLE DELUXE HAUT DE GAMME	SET ATR SCL GRND TOP DELUXE
DYNT2010	Machined Nut Driver Set (4) Metric	Set gefräste Steckschlüssel (4) metrisch	Ensemble tourne-écrou usiné (4) Métrique	Kit di chiavi (4) metriche
DYNT2030	Machined Hex Driver Set (4) Met	Set gefräste Inbusschraubendreher (4) Met	Ensemble clé à six pans usinée (4) Métrique	Kit di chiavi a brugola (4) metriche
SPMXC1070	Smart S150 AC/DC Charger, 1x50W	Smart S150 Wechsel-/Gleichstrom-Ladegerät, 1x50 W	Chargeur Smart c.a./c.c. S150, 1 x 50 W	Caricabatterie Smart S150 CA/CC, 1x50 W

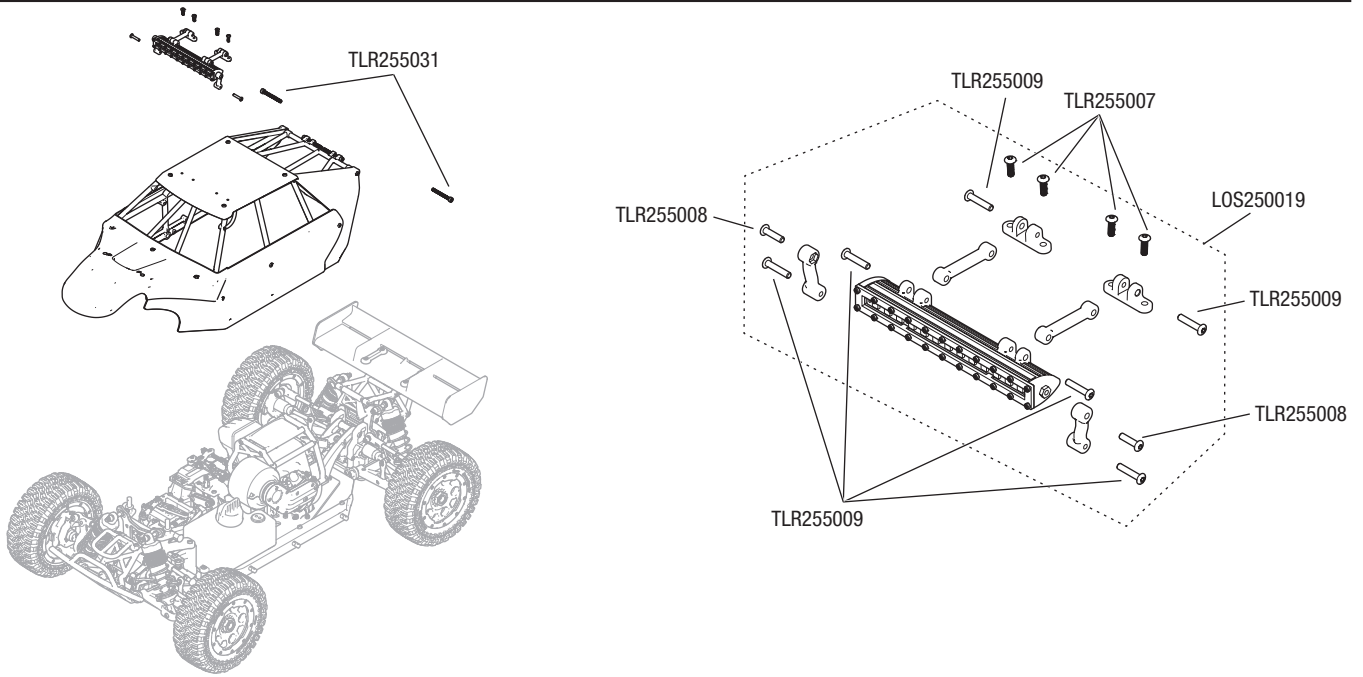
OPTIONAL PARTS // OPTIONALE TEILE // PIÈCES OPTIONNELLES // PARTI OPZIONALI

Part #	English	Deutsch	Français	Italiano
LOS232139	Engine Mount Insert 21T:DBXL 2.0	Motorhalterungseinsatz 21T:DBXL 2,0	Insert de montage du moteur 21T : DBXL 2.0	Inserto suprt motore 21T:DBXL 2.0
LOS250018	BodySet,w/sticker, Clear: DBXL-E	Karosseriesatz, mit Sticker, transparent: DBXL-E	Ensemble de carrosserie, avec autocollant, transparent : DBXL-E	Carrozzeria con adesivi, trasparente: DBXL-E
LOS250043	BodySet,Screened,FOX: DBXL-E 2.0	Gehäuse-Set, abgeschirmt, FOX: DBXL-E 2.0	Ensemble de carrosserie, sérigraphié, FOX : DBXL-E 2.0	Set carrozzeria, schermata, FOX: DBXL-E 2.0
LOS250044	Body Set,Screened,LOSI DBXL-E 2.0	Gehäuse-Set, abgeschirmt, LOSI DBXL-E 2.0	Ensemble de carrosserie, sérigraphié LOSI DBXL-E 2.0	Set carrozzeria, schermata, LOSI:DBXL-E 2.0
LOS252066	Diff Housing Set, Al (1): DBXL-	Differentialgehäuse-Satz. Al. (1): DBXL-	Ensemble de boîtier de différentiel, Al (1) : DBXL-	Set scatola diff, alu (1): DBXL-E
LOS252137	Engine Mount Insert 19T:DBXL 2.0	Motorhalterungseinsatz 19T:DBXL 2,0	Insert de montage du moteur 19T : DBXL 2.0	Inserto supporto motore 19T:DBXL 2.0
LOS254030	HingePinBrace,FR,AL,Slvr:MTXL(2)	Vorderer Scharnierbolzen Stütze,AL,Slbr:MTXL(2)	Support de goupille de charnière, AVANT, aluminium, argenté : MTXL(2)	RinfSuptPrnArtc,Ant,Alu,Arg:MTXL(2)
LOS351017	ServoSaverTop,Al,Blk:DBXL-E2.0	ServoSaverTop,Al,Schw:DBXL-E2.0	Partie supérieure d'économiseur de servo, aluminium, noire : DBXL-E2.0	SalvServSup,Alu,Ner:DBXL-E2.0
LOS352009	WhlNut,Capt,Blk(4): DBXL-E 2.0	Wnuss,Capt,Schw(4): DBXL-E 2.0	Écrou de roue, bouchon, noir (4) : DBXL-E 2.0	Dado ruota, prigioniero, nero (4): DBXL-E 2.0
LOS352010	Pinion Gear, 19T, 1.5M: DBXL 2.0	Zahnradgetriebe, 19T, 1,5M: DBXL 2.0	Engrenage à pignons, 19T, 1.5 M : DBXL 2.0	Pignone, 19T, 1,5 M: DBXL 2.0
LOS352011	Pinion Gear, 21T, 1.5M: DBXL 2.0	Zahnradgetriebe, 21T, 1,5M: DBXL 2.0	Engrenage à pignons, 21T, 1.5 M : DBXL 2.0	Pignone, 21T, 1,5 M: DBXL 2.0
LOS354001	Front Spindle Set, Al: DBXL	Front-Spindelsatz, Al DBXL-E	Ensemble d'axe avant, aluminium : DBXL	Set fusello ant, alu: DBXL
LOS354002	FR Spindle Carrier Set, Al, DBXL	Front-Spindel- und Trägersatz, Al, DBXL	Ensemble de support de fusée avant, aluminium, DBXL	Set portafuselli ant, alu, DBXL
LOS45034	Scoops,PaddleTire(2): DBXL-E 2.0	Schaufeln, Schaufelrad (2): DBXL-E 2.0	Prise, pneu paddle (2) : DBXL-E 2.0	Ruota Scoops Paddle (2): DBXL-E 2.0
LOS45035	Slicers Rib Tire (2): DBXL-E 2.0	Slicers Rippenreifen (2): DBXL-E 2.0	Pneu à rainures Slicers, (2) : DBXL-E 2.0	Ruota Slicers Rib (2): DBXL-E 2.0
LOSA99172	Camber Gauge	Sturzlehre	Jauge de cambrure	Misuratore campanatura
SPMS-S9110BL	S9110BL 1/5 Speed Metal Servo	S9110BL 1/5 Geschwindigkeit Metallservo	Servo métallique haute vitesse 1/5 S9110BL	S9110BL servo metallo velocità 1/5
SPMS-S9120BL	S9120BL 1/5 Torque Metal Servo	S9120BL 1/5 Drehmoment Metallservo	Servo métallique haute vitesse 1/5 S9120BL	S9120BL servo metallo coppia 1/5
SPM5120	DX5C SMART 5CH DSMR TX W/6100AT	DX5C SMART 5-Kanal DSMR TX mit 6100AT	ÉMETTEUR DSMR 5 CANAUX SMART DX5C AVEC 6100AT	DX5C SMART 5CH DSMR TX CON 6100AT
SPM5200	DX5 Rugged DSMR TX w/SR515	DX5 Rugged DSMR TX mit SR515	Émetteur DX5 robuste DSMR avec SR515	Tx DX5 Rugged DSMR con SR515
SPMR5025	DX5 Pro 2021 DSMR TX Only	DX5 Pro 2021 DSMR nur TX	DX5 Pro 2021 DSMR TX uniquement	DX5 Pro 2021 DSMR TX solo
DYN1405	LiPo Charge Protection Bag, Large	LiPo Ladeschutzbeutel, groß	Sac de protection du chargeur de batterie Li-Po, grand	Borsa per caricabatterie LiPo, grande
TLR5277	Silicone Diff Fluid, 1000CS	Differential-Silikonflüssigkeit, 1000CS	Liquide silicone pour différentiel, 1000CS	Fluido diff in silicone, 1000CS
TLR5278	Silicone Diff Fluid, 2000CS	Differential-Silikonflüssigkeit, 2000CS	Liquide silicone pour différentiel, 2000CS	Fluido diff in silicone, 2000CS
TLR5279	Silicone Diff Fluid, 3000CS	Differential-Silikonflüssigkeit, 3000CS	Liquide silicone pour différentiel, 3000CS	Fluido diff in silicone, 3000CS
TLR5280	Silicone Diff Fluid, 5000CS	Differential-Silikonflüssigkeit, 5000CS	Liquide silicone pour différentiel, 5000CS	Fluido diff in silicone, 5000CS
TLR5281	Silicone Diff Fluid, 7000CS	Differential-Silikonflüssigkeit, 7000CS	Liquide silicone pour différentiel, 7000CS	Fluido diff in silicone, 7000CS
TLR5282	Silicone Diff Fluid, 10,000CS	Differenzial-Silikonflüssigkeit, 10.000CS	Liquide silicone pour différentiel, 10 000 CS	Fluido diff in silicone, 10.000CS
TLR5283	Silicone Diff Fluid, 15,000CS	Differenzial-Silikonflüssigkeit, 15.000CS	Liquide silicone pour différentiel, 15 000 CS	Fluido diff in silicone, 15.000CS
TLR5284	Silicone Diff Fluid, 20,000CS	Differenzial-Silikonflüssigkeit, 20.000CS	Liquide silicone pour différentiel, 20 000 CS	Fluido diff in silicone, 20.000CS
TLR5285	Silicone Diff Fluid, 30,000CS	Differenzial-Silikonflüssigkeit, 30.000CS	Liquide silicone pour différentiel, 30 000 CS	Fluido diff in silicone, 30.000CS
TLR5286	Silicone Diff Fluid, 50,000CS	Differenzial-Silikonflüssigkeit, 50.000CS	Liquide silicone pour différentiel, 50 000 CS	Fluido diff in silicone, 50.000CS
TLR5288	Silicone Diff Fluid, 125,000CS	Differenzial-Silikonflüssigkeit, 125.000CS	Liquide silicone pour différentiel, 125 000 CS	Fluido diff in silicone, 125.000CS
TLR7005	BeadLockRing FLYelw w	Bead-Lock-Ring FL Gelb w	Anneau de blocage à bille jaune avant gauche	Anelli Beadlock gialli
TLR74000	SIL SHOCK OIL,15WT,104CST,20Z	STOSSDÄMPFER-SILIKONÖL, 15 WT,104 CST, 2 OZ	HUILE SILICONE POUR AMORTISSEUR, 15 WT, 104 CST, 59,15 ML (2 OZ)	OLIO SIL AMM,15WT,104CST,20Z
TLR74001	SIL SHOCK OIL,17.5WT,150CST,20Z	STOSSDÄMPFER-SILIKONÖL, 17,5 WT, 150 CST, 2 OZ	HUILE SILICONE POUR AMORTISSEUR, 17,5 WT, 150 CST, 59,15 ML (2 OZ)	OLIO SIL AMM,17.5WT,150CST,20Z
TLR74002	SIL SHOCK OIL,20WT,195CST,20Z	STOSSDÄMPFER-SILIKONÖL, 20 WT, 195 CST, 2 OZ	HUILE SILICONE POUR AMORTISSEUR, 20 WT, 195 CST, 59,15 ML (2 OZ)	OLIO SIL AMM,20WT,195CST,20Z
TLR74003	SIL SHOCK OIL,22.5WT,223CST,20Z	STOSSDÄMPFER-SILIKONÖL, 22,5 WT, 223 CST, 2 OZ	HUILE SILICONE POUR AMORTISSEUR, 22,5 WT, 223 CST, 59,15 ML (2 OZ)	OLIO SIL AMM,22.5WT,223CST,20Z
TLR74004	SIL SHOCK OIL,25WT,250CST,20Z	STOSSDÄMPFER-SILIKONÖL, 25 WT, 250 CST, 2 OZ	HUILE SILICONE POUR AMORTISSEUR, 25 WT, 250 CST, 59,15 ML (2 OZ)	OLIO SIL AMM,25WT,250CST,20Z
TLR74005	SIL SHOCK OIL,27.5WT,294CST,20Z	STOSSDÄMPFER-SILIKONÖL, 27,5 WT, 294 CST, 2 OZ	HUILE SILICONE POUR AMORTISSEUR, 27,5 WT, 294 CST, 59,15 ML (2 OZ)	OLIO SIL AMM,27.5WT,294CST,20Z
TLR74006	SIL SHOCK OIL,30WT,338CST,20Z	STOSSDÄMPFER-SILIKONÖL, 30 WT, 338 CST, 2 OZ	HUILE SILICONE POUR AMORTISSEUR, 30 WT, 338 CST, 59,15 ML (2 OZ)	OLIO SIL AMM,30WT,338CST,20Z
TLR74007	SIL SHOCK OIL,32.5WT,379CST,20Z	STOSSDÄMPFER-SILIKONÖL, 32,5 WT, 379 CST, 2 OZ	HUILE SILICONE POUR AMORTISSEUR, 32,5 WT, 379 CST, 59,15 ML (2 OZ)	OLIO SIL AMM,32.5WT,379CST,20Z
TLR74008	SIL SHOCK OIL,35WT,420CST,20Z	STOSSDÄMPFER-SILIKONÖL, 35 WT, 420 CST, 2 OZ	HUILE SILICONE POUR AMORTISSEUR, 35 WT, 420 CST, 59,15 ML (2 OZ)	OLIO SIL AMM,35WT,420CST,20Z
TLR74009	SIL SHOCK OIL,37.5WT,468CST,20Z	STOSSDÄMPFER-SILIKONÖL, 37,5 WT, 468 CST, 2 OZ	HUILE SILICONE POUR AMORTISSEUR, 37,5 WT, 468 CST, 59,15 ML (2 OZ)	OLIO SIL AMM,37.5WT,468CST,20Z
TLR74010	SIL SHOCK OIL,40WT,516CST,20Z	STOSSDÄMPFER-SILIKONÖL, 40 WT, 516 CST, 2 OZ	HUILE SILICONE POUR AMORTISSEUR, 40 WT, 516 CST, 59,15 ML (2 OZ)	OLIO SIL AMM.,40WT,516CST,20Z
TLR74011	SIL SHOCK OIL,42.5WT,563CST,20Z	STOSSDÄMPFER-SILIKONÖL, 42,5 WT, 563 CST, 2 OZ	HUILE SILICONE POUR AMORTISSEUR, 42,5 WT, 563 CST, 59,15 ML (2 OZ)	OLIO SIL AMM,42.5WT,563CST,20Z
TLR74012	SIL SHOCK OIL,45WT,610CST,20Z	STOSSDÄMPFER-SILIKONÖL, 45 WT, 610 CST, 2 OZ	HUILE SILICONE POUR AMORTISSEUR, 45 WT, 610 CST, 59,15 ML (2 OZ)	OLIO SIL AMM,45WT,610CST,20Z
TLR74013	SIL SHOCK OIL,50WT,710CST,20Z	STOSSDÄMPFER-SILIKONÖL, 50 WT, 710 CST, 2 OZ	HUILE SILICONE POUR AMORTISSEUR, 50 WT, 710 CST, 59,15 ML (2 OZ)	OLIO SIL AMM,50WT,710CST,20Z

Part #	English	Deutsch	Français	Italiano
TLR74014	SIL SHOCK OIL,60WT,810CST,2OZ	STOSSDÄMPFER-SILIKONÖL, 60 WT, 810 CST, 2 OZ	HUILE SILICONE POUR AMORTISSEUR, 60 WT, 810 CST, 59,15 ML (2 OZ)	OLIO SIL AMM,60WT,810CST,2OZ
TLR74015	SIL SHOCK OIL,70WT,910CST,2OZ	STOSSDÄMPFER-SILIKONÖL, 70 WT, 910 CST, 2 OZ	HUILE SILICONE POUR AMORTISSEUR, 70 WT, 910 CST, 59,15 ML (2 OZ)	OLIO SIL AMM,70WT,910CST,2OZ
TLR74016	SIL SHOCK OIL,80WT,1014CST,2OZ	STOSSDÄMPFER-SILIKONÖL, 80 WT, 1014 CST, 2 OZ	HUILE SILICONE POUR AMORTISSEUR, 80 WT, 1014 CST, 59,15 ML (2 OZ)	OLIO SIL AMM,80WT,1014CST,2OZ
TLR74017	SIL SHOCK OIL,90WT,1130CST,2OZ	STOSSDÄMPFER-SILIKONÖL, 90 WT, 1130 CST, 2 OZ	HUILE SILICONE POUR AMORTISSEUR, 90 WT, 1130 CST, 59,15 ML (2 OZ)	OLIO SIL AMM,90WT,1130CST,2OZ
TLR74018	SIL SHOCK OIL,100WT,1325CST,2OZ	STOSSDÄMPFER-SILIKONÖL, 100 WT, 1325 CST, 2 OZ	HUILE SILICONE POUR AMORTISSEUR, 100 WT, 1325 CST, 59,15 ML (2 OZ)	OLIO SIL AMM,100WT,1325CST,2OZ
TLR74019	SHOIL6PK,17.5-42.5W,150-563C,2OZ	STÖL6PK,17.5-42.5W,150-563C,2OZ	HUILE POUR AMORTISSEUR 6PK,17.5-42.5W, 150-563C, 15 ML (2 OZ)	OLIAM6PK,17.5-42.5W,150-563C,2OZ
TLR74020	SHOIL6PK,20-45W,195-610C,2OZ	STÖL6PK,20-45W,195-610C,2OZ	HUILE POUR AMORTISSEUR 6PK, 20-45W, 195-610C, 15 ML (2 OZ)	OLIAM6PK,20-45W,195-610C,2OZ
TLR74021	SHOIL6PK,50-100W,710-1325C,2OZ	STÖL6PK,50-100W,710-1325C,2OZ	HUILE POUR AMORTISSEUR 6PK, 50-100W, 710-1325C, 15 ML (2 OZ)	OLIAM6PK,50-100W,710-1325C,2OZ
TLR74022	SIL SHOCK OIL,25WT,250CST,4OZ	STOSSDÄMPFER-SILIKONÖL, 25WT,250CST,4OZ	HUILE SILICONE POUR AMORTISSEUR, 26PK, 50-100W, 710-1325C, 15 ML (2 OZ)	OLIO SIL AMM,45WT,610CST,2OZ
TLR74023	SIL SHOCK OIL,30WT,338CST,4OZ	STOSSDÄMPFER-SILIKONÖL, 30WT,338CST,4OZ	HUILE SILICONE POUR AMORTISSEUR, 30WT, 338CST, 30 ML (4 OZ)	OLIO SIL AMM,30WT,338CST,2OZ
TLR74024	SIL SHOCK OIL,35WT,420CST,4OZ	STOSSDÄMPFER-SILIKONÖL, 35WT,420CST,4OZ	HUILE SILICONE POUR AMORTISSEUR, 35WT, 420CST, 30 ML (4 OZ)	OLIO SIL AMM,45WT,610CST,2OZ
TLR74025	SIL SHOCK OIL,40WT,516CST,4OZ	STOSSDÄMPFER-SILIKONÖL, 40WT,516CST,4OZ	HUILE SILICONE POUR AMORTISSEUR, 40WT, 516CST, 30 ML (4 OZ)	OLIO SIL AMM,70WT,910CST,2OZ
TLR74026	SIL SHOCK OIL,45WT,610CST,4OZ	STOSSDÄMPFER-SILIKONÖL, 45WT,610CST,4OZ	HUILE SILICONE POUR AMORTISSEUR, 45WT, 610CST, 30 ML (4 OZ)	OLIO SIL AMM,70WT,910CST,2OZ
TLR74027	SIL SHOCK OIL,50WT,710CST,4OZ	STOSSDÄMPFER-SILIKONÖL, 50WT,710CST,4OZ	HUILE SILICONE POUR AMORTISSEUR, 50WT, 710CST, 30 ML (4 OZ)	OLIO SIL AMM,90WT,1130CST,2OZ
TLR74028	SIL SHOCK OIL,27.5WT,294CST,4OZ	STOSSDÄMPFER-SILIKONÖL, 27,5WT,294CST,4OZ	HUILE SILICONE POUR AMORTISSEUR, 27.5WT, 294CST, 30 ML (4 OZ)	OLIO SIL AMM,37.5WT,468CST,2OZ
TLR74029	SIL SHOCK OIL,32.5WT,379CST,4OZ	STOSSDÄMPFER-SILIKONÖL, 32,5WT,379CST,4OZ	HUILE SILICONE POUR AMORTISSEUR, 32.5WT, 379CST, 30 ML (4 OZ)	OLIO SIL AMM,42.5WT,563CST,2OZ
TLR74030	SIL SHOCK OIL,37.5WT,468CST,4OZ	STOSSDÄMPFER-SILIKONÖL, 37,5WT,468CST,4OZ	HUILE SILICONE POUR AMORTISSEUR, 37.5WT, 468CST, 30 ML (4 OZ)	OLIO SIL AMM,42.5WT,563CST,2OZ
TLR74031	SIL SHOCK OIL,47.5WT,660CST,2OZ	STOSSDÄMPFER-SILIKONÖL, 47,5WT,660CST,2OZ	HUILE SILICONE POUR AMORTISSEUR, 47.5WT,660CST, 15 ML (2 OZ)	OLIO SIL AMM,70WT,910CST,2OZ
TLR74032	SIL SHOCK OIL,55WT,760CST,2OZ	STOSSDÄMPFER-SILIKONÖL, 55WT,760CST,2OZ	HUILE SILICONE POUR AMORTISSEUR, 155WT, 760CST, 15 ML (2 OZ)	OLIO SIL AMM,70WT,910CST,2OZ
TLR75001	Silicone Diff Fluid, 40,000CS	Differenzial-Silikonflüssigkeit, 40.000CS	Liquide silicone pour différentiel, 40 000 CS	Fluido diff in silicone, 40.000CS
TLR75002	Silicone Diff Fluid, 60,000CS	Differenzial-Silikonflüssigkeit, 60.000CS	Liquide silicone pour différentiel, 60 000 CS	Fluido diff in silicone, 60.000CS
TLR75003	Silicone Diff Fluid, 80,000CS	Differenzial-Silikonflüssigkeit, 80.000CS	Liquide silicone pour différentiel, 80 000 CS	Fluido diff in silicone, 80.000CS
TLR75004	Silicone Diff Fluid, 100,000CS	Differenzial-Silikonflüssigkeit, 100.000CS	Liquide silicone pour différentiel, 100 000 CS	Fluido diff in silicone, 100.000CS
TLR75006	Silicone Diff Fluid, 4000CS	Differential-Silikonflüssigkeit, 4000CS	Liquide silicone pour différentiel, 4 000 CS	Fluido diff in silicone, 4000CS
TLR75007	Silicone Diff Fluid, 6000CS	Differential-Silikonflüssigkeit, 6000CS	Liquide silicone pour différentiel, 6 000 CS	Fluido diff in silicone, 6000CS
TLR75008	Silicone Diff Fluid, 200000CS	Differential-Silikonflüssigkeit, 200000CS	Liquide silicone pour différentiel, 200 000 CS	Fluido diff in silicone, 200000CS
TLR75009	Silicone Diff Fluid, 500000CS	Differential-Silikonflüssigkeit, 500000CS	Liquide silicone pour différentiel, 500 000 CS	Fluido diff in silicone, 500000CS

PARTS EXPLOSION

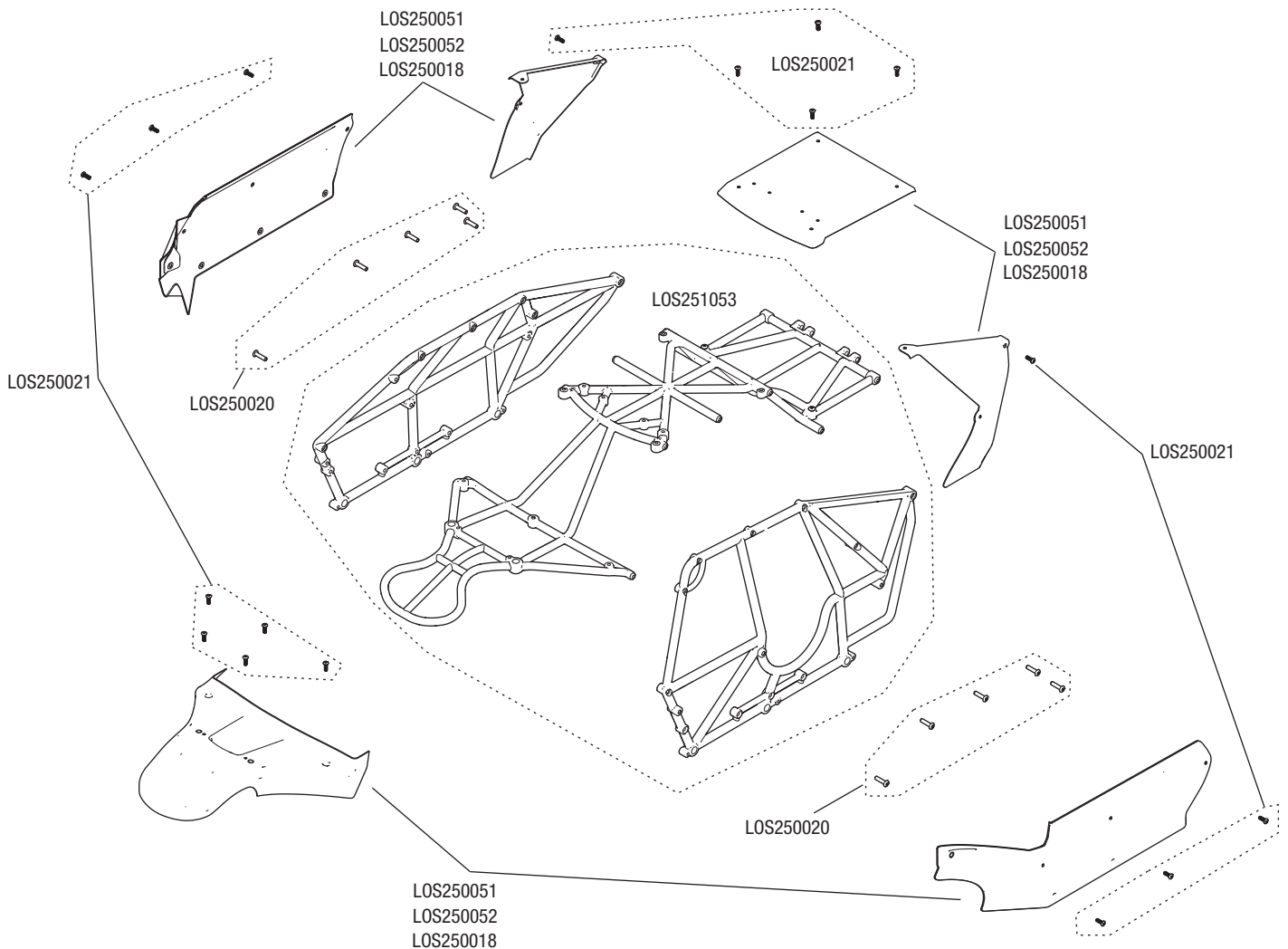
Body



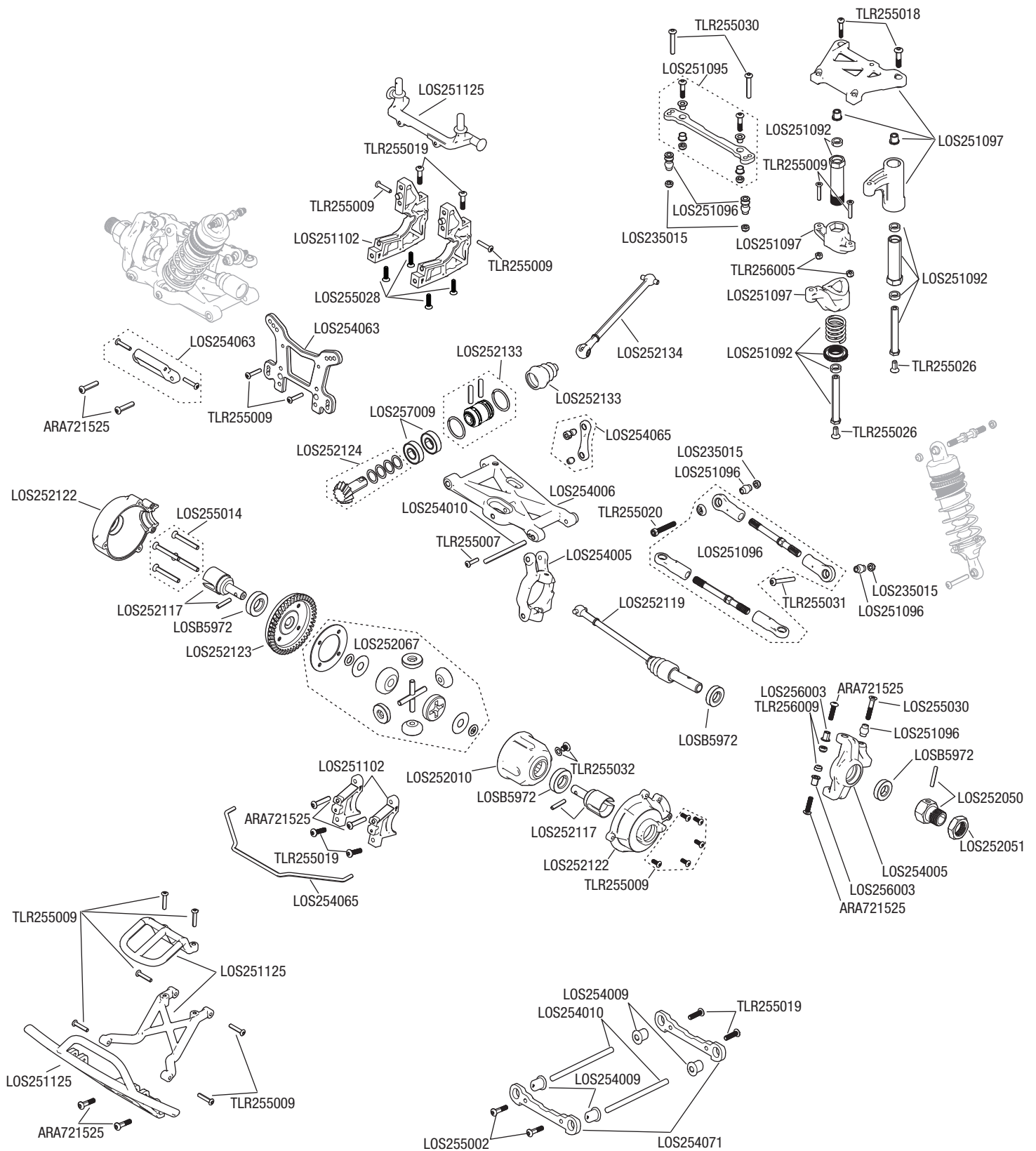
Icon Body Panels // Icon Karosserieverkleidung // Panneaux de carrosserie Icône // Pannelli carrozzeria Icon = LOS250051

Magnaflow Body Panels // Magnaflow Karosserieverkleidung // Panneaux de carrosserie Magnaflow // Pannelli carrozzeria Magnaflow = LOS250052

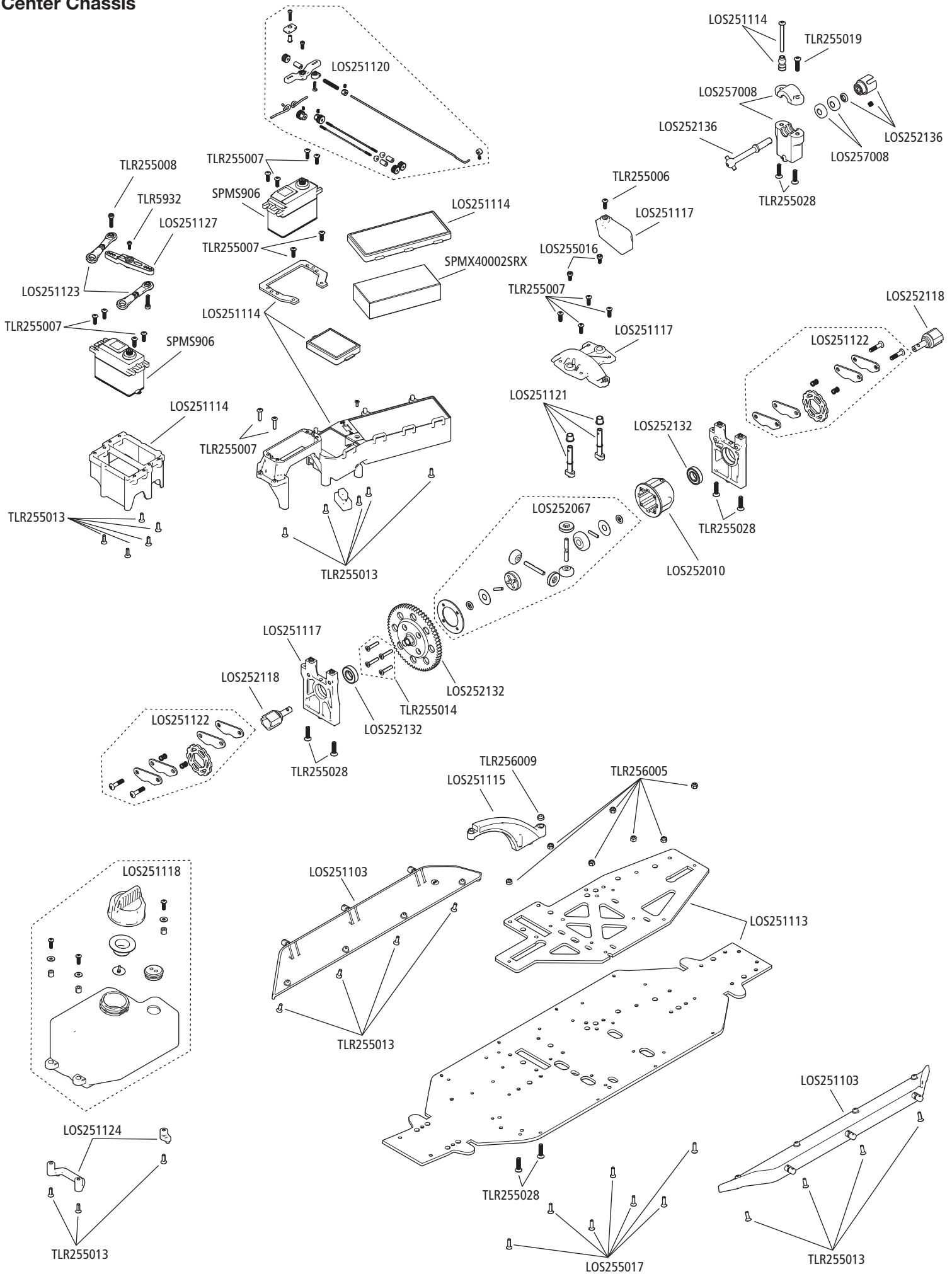
Clear Body // Transparente Karosserie // Carrosserie transparente // Carrozzeria trasparente = LOS250018



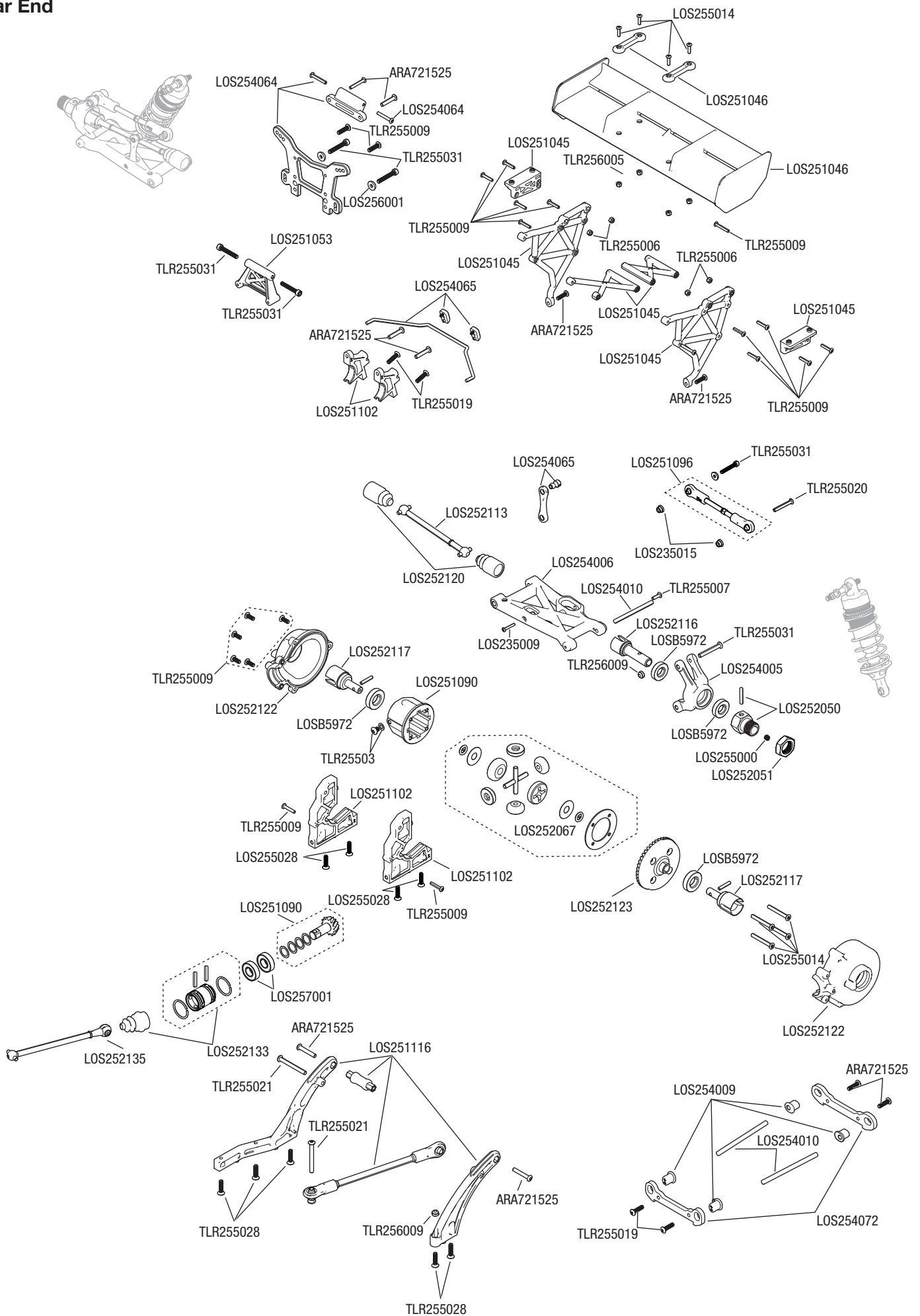
Front End



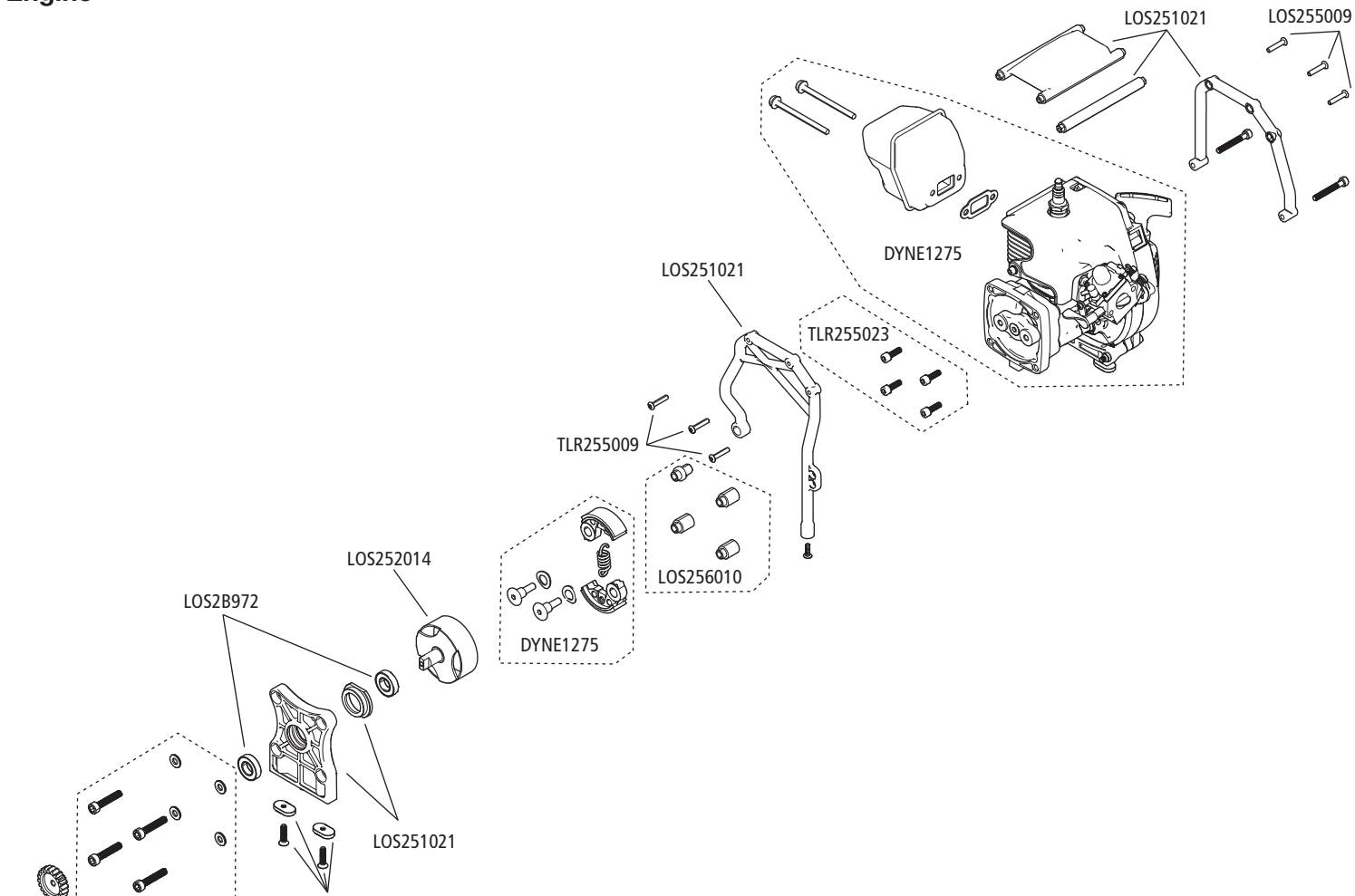
Center Chassis



Rear End



Engine



Engine Mount Slugs // Motorhalterungsansätze // Languettes de support du moteur // Bussole montaggio motore

Stock // Standard // de base // Serie 20T = LOS232138

Optional Engine Mount Slugs, pair with pinion // Optionale Motorhalterungsansätze, verbunden mit Ritzel // Languettes de support du moteur haut de gamme, à appairer avec le pignon // Bussole montaggio motore opzionali, accoppiamento con pignone

19T = LOS252137

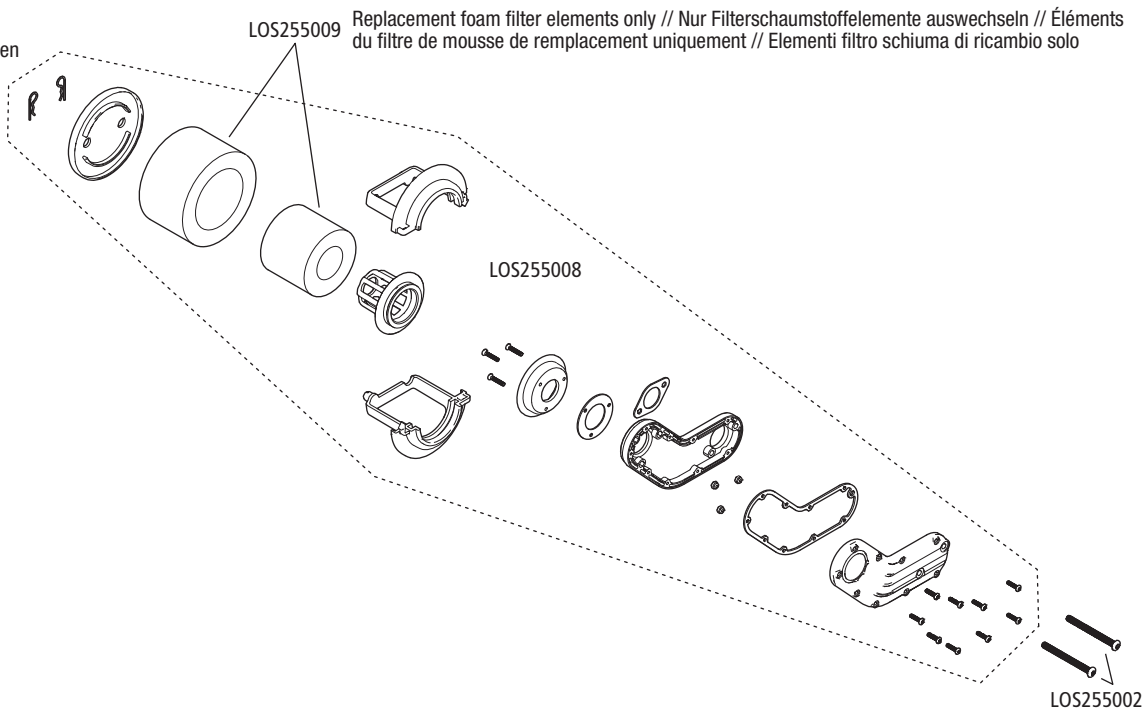
21T = LOS252139

Stock Pinion Gear is // Standard // L'engrenage de pignon de base est // Zahnradgetriebe ist // Il pignone di serie è 20T = LOS252016

Optional Pinion Gears // Optionale Zahnradgetriebe // Engrenages de pignons en option // Pignoni opzionali

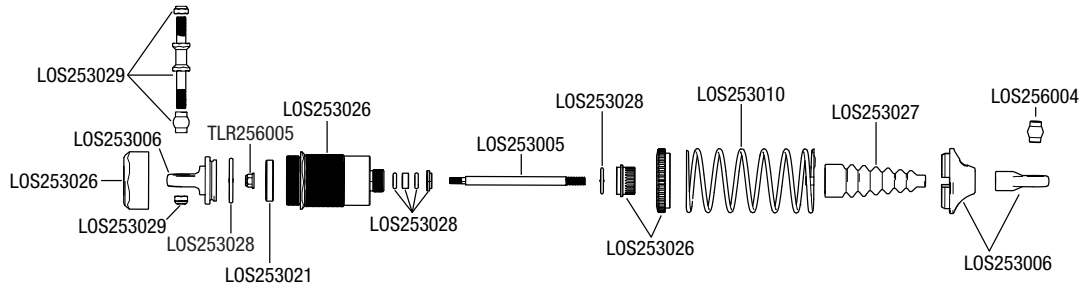
19t = LOS352010

21T = LOS352011

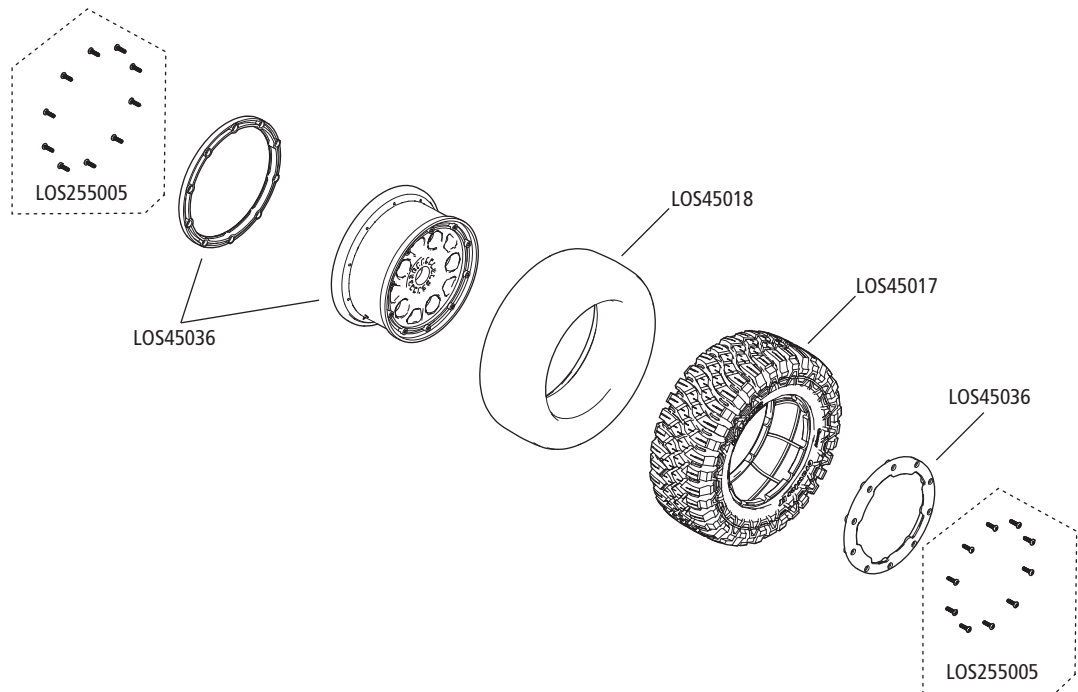


Replacement foam filter elements only // Nur Filterschaumstoffelemente auswechseln // Éléments du filtre de mousse de remplacement uniquement // Elementi filtro schiuma di ricambio solo


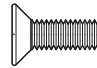

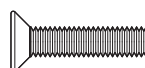
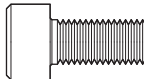
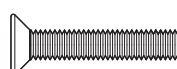
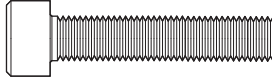

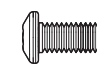
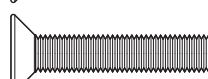
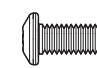

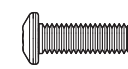

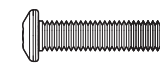

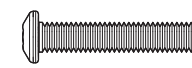

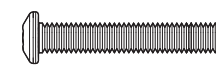

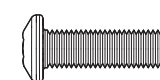

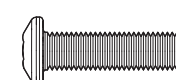

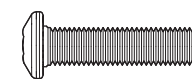

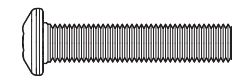

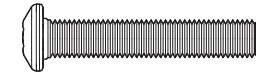
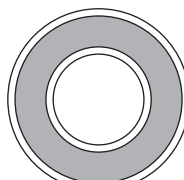
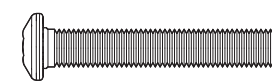
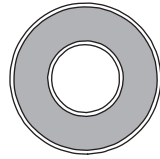
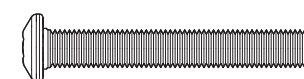
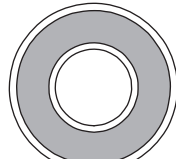
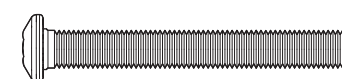
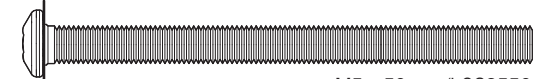




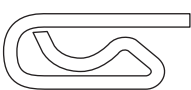
Shocks



Wheels



HARDWARE // ZUBEHÖR // VISSERIE ET ACCESSOIRES // VITI E PARTI ACCESSORI

	M3 x 10mm (LOS255005)		M4 x 12mm (TLR255013)
	M3 x 10mm (TLR5932)		M4 x 16mm (TLR255017)
	M6 x 12mm (LOS255000)		M4 x 20mm (TLR255014)
	M6 x 30mm (LOS255001)		M5 x 20mm (TLR255028)
	M4 x 8mm (TLR255005)		M5 x 25mm (TLR255029)
	M4 x 10mm (TLR255006)		M3 x 3mm (LOS235018)
	M4 x 12mm (TLR255007)		M4 x 5mm (TLR255015)
	M4 x 16mm (TLR255008)		M4 x 8mm (TLR255016)
	M4 x 20mm (LOS255002)		M5 x 6mm (TLR255032)
	M4 x 25mm (TLR255010)		M3 (TLR6352)
	M5 x 16mm (TLR255018)		M4 (TLR256006)
	M5 x 18mm (LOS255002)		M5 (LOS6535)
	M5 x 20mm (TLR255019)		M6 (TLR256010)
	M5 x 24mm (LOS255002)		M5 (TLR256008)
	M5 x 28mm (LOS255002)		12 x 24 x 6mm (LOS25972)
	M5 x 30mm (TLR255020)		8 x 19 x 6mm (LOS257008)
	M5 x 35mm (LOS6110)		10 x 22 x 6mm (LOS257009)
	M5 x 40mm (LOS6110)		
	M5 x 50mm (LOS255002)		
			M3 Nylock (TLR6313)
			M5 Nylock (TLR256009)
			M6 Nylock (TLR256011)
			LOS256005
			LOS256005



WWW.LOSI.COM

©2021 Horizon Hobby, LLC.

Losi, Desert Buggy XL, Firma, DSM, DSM2, DSMR, IC5, DX3, and the Horizon Hobby logo are trademarks or registered trademarks of Horizon Hobby, LLC. The Spektrum trademark is used with permission of Bachmann Industries, Inc. Icon, the Icon logo, Magnaflow and the Magnaflow logo are property of their respective owners and are used under license. US 9,930,567. US 10,419,970. US 10,849,013. Other patents pending.

Created 10/21

128649

LOS05008